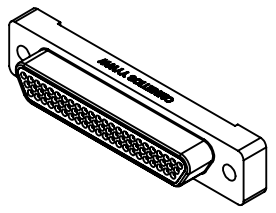
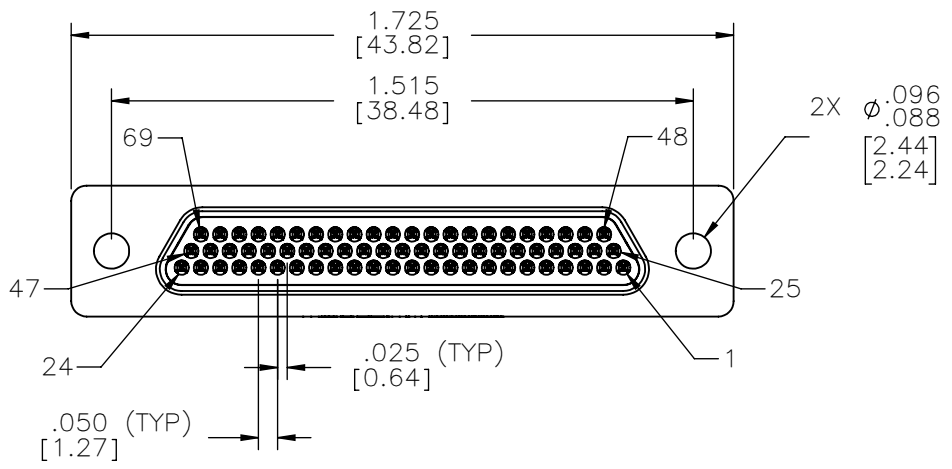
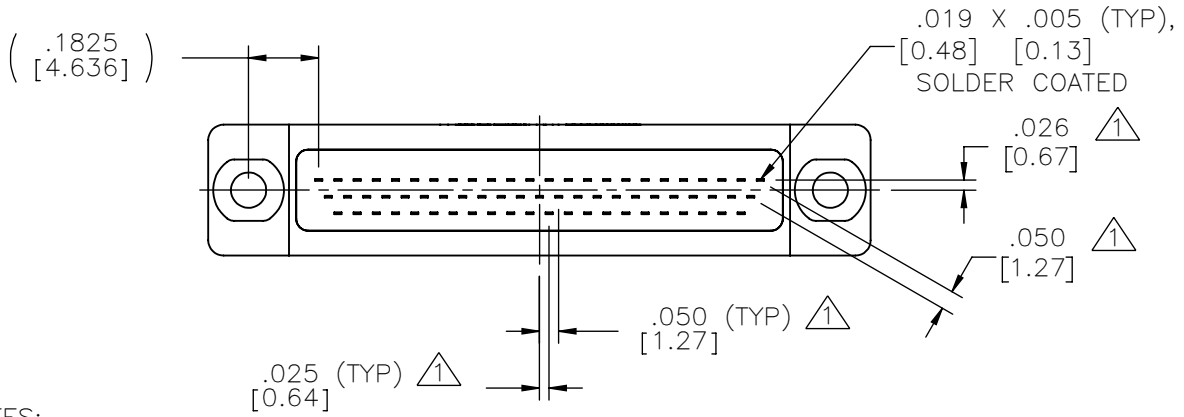
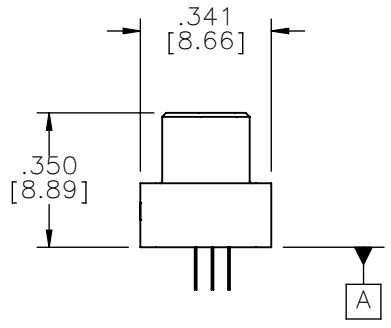
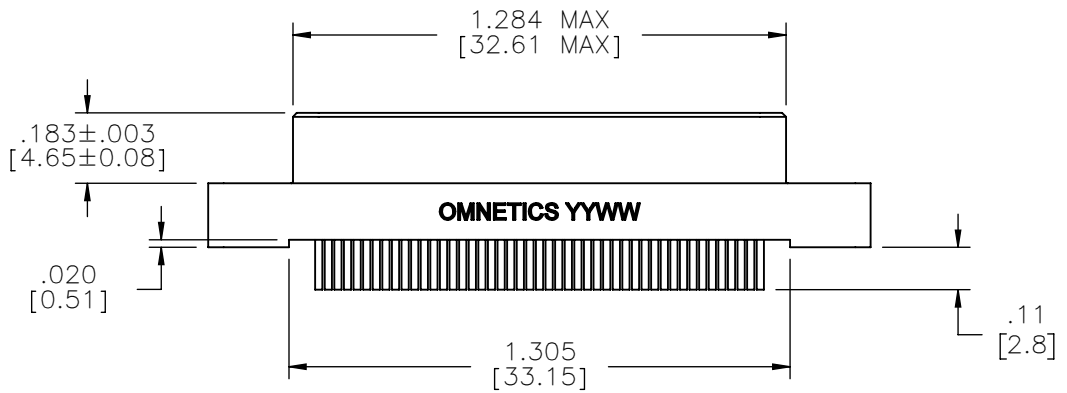


PART NO.	A98022-069	REV	ECO	DATE	APP
		B	104614	07-06-18	TLM



ACTUAL SIZE



NOTES:
 ▲ TAIL DIMENSIONS APPLY AT PLANE A

DIMENSIONS IN [] ARE IN MILLIMETERS UNLESS OTHERWISE NOTED AND ARE FOR REFERENCE ONLY

MFG SLOW	THIRD ANGLE
	-TOLERANCES-
	UNLESS OTHERWISE NOTED
	DIMENSIONS IN INCHES
2 PL DEC±.01	
3 PL DEC±.005	
4 PL DEC±.0005	
ANGLES ± 1°	

THIS DRAWING CONTAINS CONFIDENTIAL AND PROPRIETARY INFORMATION WHICH IS THE PROPERTY OF OMNETICS CONNECTOR CORP. THIS DOCUMENT MAY NOT, IN WHOLE OR IN PART, BE DUPLICATED, OR DISCLOSED FOR ANY PURPOSE, WITHOUT WRITTEN PERMISSION FROM OMNETICS CONNECTOR CORP.	
DFTM. ERB	DATE 04-04-16
CHK'D.	DATE
APP'D.	DATE
TITLE: (69) PIN MALE STRAIGHT BOARD MOUNT MICRO-D CONNECTOR	

OMNETICS
 CONNECTOR CORPORATION
 7260 COMMERCE CIRCLE EAST
 MINNEAPOLIS, MN 55432
 WWW.OMNETICS.COM

CAGE CODE 61873	
DWG NO. A98022-069	
SHEET 1 OF 2	REV B
SCALE: 2:1	

PART NO.	A98022-069	REV	ECO	DATE	APP
		B	104614	07-06-18	TLM

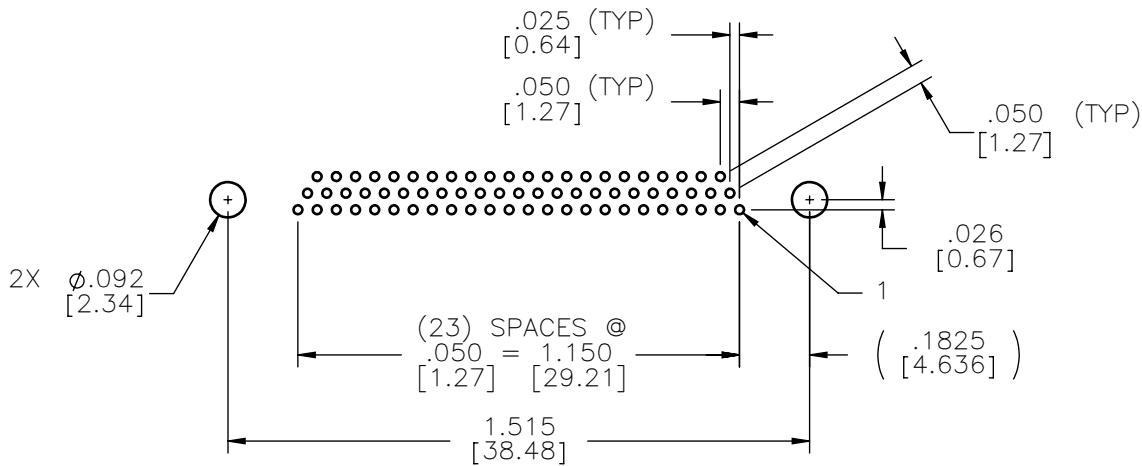
MATERIALS

HOUSING:
ALUMINUM 6061, NICKEL
PLATED (500 MICROINCHES
MINIMUM) PER SAE-AMS-2404

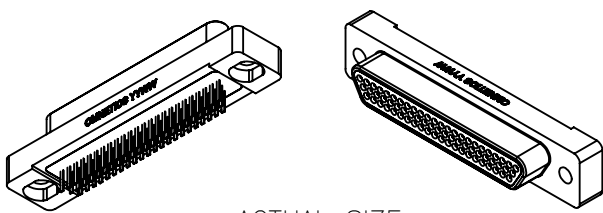
INSULATOR:
LIQUID CRYSTAL POLYMER
(LCP) PER ASTM D5138

CONTACT:
BERYLLIUM COPPER PER ASTM
B194, C17200, GOLD PLATED
PER ASTM B488, (HARD GOLD)
TYPE II CODE C, CLASS 1.27
(CONTACT MATING AREA ONLY)

TERMINATION:
SOLDER COATED WITH SN63A
PER J-STD-006 OR AMS-P-
81728



SUGGESTED HOLE PATTERN



ACTUAL SIZE

NOTE:
DIMENSIONS IN [] ARE IN
MILLIMETERS UNLESS
OTHERWISE NOTED AND ARE
FOR REFERENCE ONLY

MGT'S	THIRD ANGLE	THIS DRAWING CONTAINS CONFIDENTIAL AND PROPRIETARY INFORMATION WHICH IS THE PROPERTY OF OMNETICS CONNECTOR CORP. THIS DOCUMENT MAY NOT, IN WHOLE OR IN PART, BE DUPLICATED, OR DISCLOSED FOR ANY PURPOSE, WITHOUT WRITTEN PERMISSION FROM OMNETICS CONNECTOR CORP.	DATE 04-04-16	TITLE: (69) PIN MALE STRAIGHT BOARD MOUNT MICRO-D CONNECTOR	CAGE CODE 61873	DWG NO. A98022-069	SHEET 2 OF 2	REV B
	-TOLERANCES- UNLESS OTHERWISE NOTED DIMENSIONS IN INCHES							
2	PL DEC ± .01	DFTM. ERB	DATE					
3	PL DEC ± .005	CHK'D.	DATE					
4	PL DEC ± .0005	APP'D.	DATE					
	ANGLES ± 1°							

OMNETICS
CONNECTOR CORPORATION
7260 COMMERCE CIRCLE EAST
MINNEAPOLIS, MN 55432
WWW.OMNETICS.COM

CAGE CODE 61873	DWG NO. A98022-069
SHEET 2 OF 2	REV B
SCALE: 2:1	