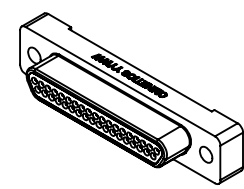
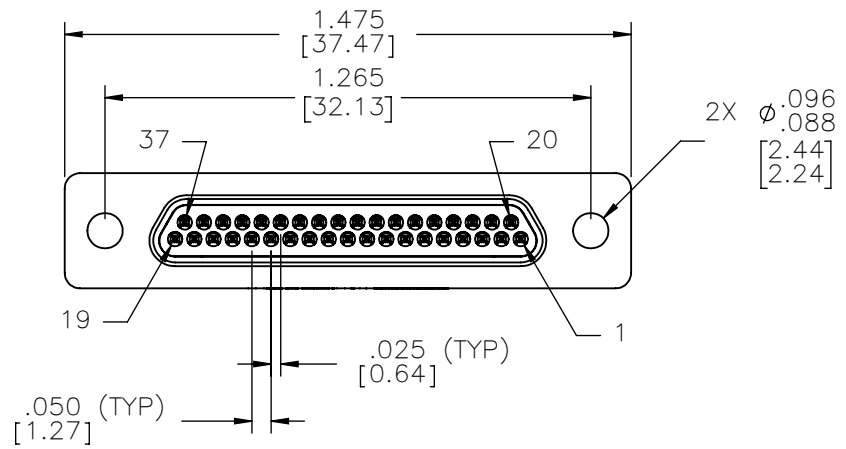
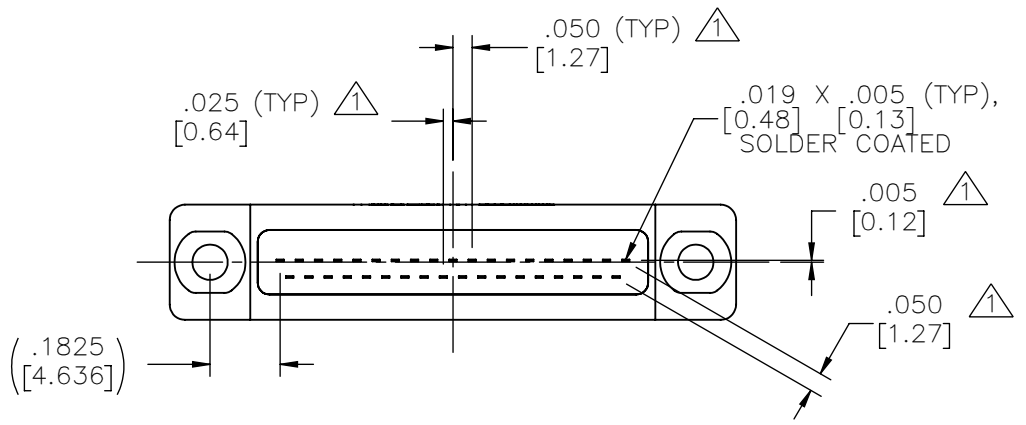
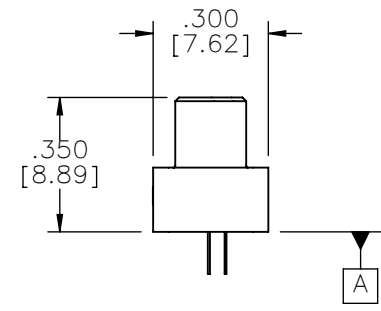
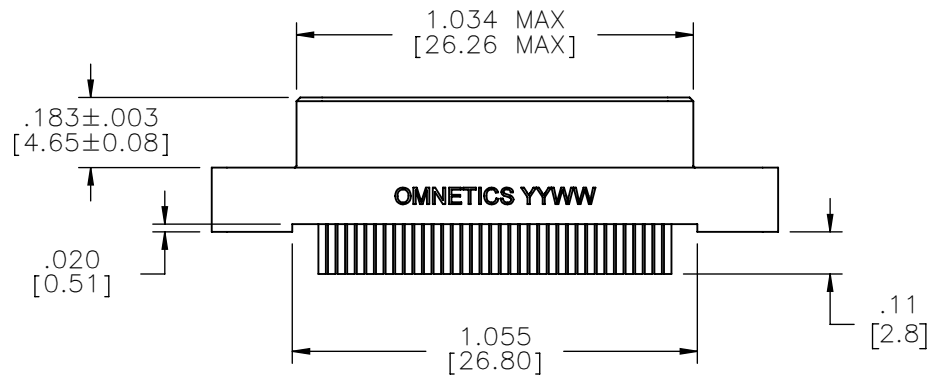


PART NO.	A98022-037	REV	ECO	DATE	APP
		B	104614	07-06-18	TLM



ACTUAL SIZE



NOTES:

DIMENSIONS IN [] ARE IN MILLIMETERS UNLESS OTHERWISE NOTED AND ARE FOR REFERENCE ONLY

TAIL DIMENSIONS APPLY AT PLANE **A**

MDCS MDCW	THIRD ANGLE
	-TOLERANCES-
	UNLESS OTHERWISE NOTED
	DIMENSIONS IN INCHES
2 PL DEC± .01	
3 PL DEC± .005	
4 PL DEC± .0005	
ANGLES ± 1°	

THIS DRAWING CONTAINS CONFIDENTIAL AND PROPRIETARY INFORMATION WHICH IS THE PROPERTY OF OMNETICS CONNECTOR CORP. THIS DOCUMENT MAY NOT, IN WHOLE OR IN PART, BE DUPLICATED, OR DISCLOSED FOR ANY PURPOSE, WITHOUT WRITTEN PERMISSION FROM OMNETICS CONNECTOR CORP.	
DFTM. TLM	DATE 02-21-13
CHK'D.	DATE
APP'D.	DATE
TITLE: (37) PIN MALE STRAIGHT BOARD MOUNT MICRO-D CONNECTOR	

OMNETICS
CONNECTOR CORPORATION
 7260 COMMERCE CIRCLE EAST
 MINNEAPOLIS, MN 55432
 WWW.OMNETICS.COM

CAGE CODE 61873
DWG NO. A98022-037
SHEET 1 OF 2
SCALE: 2:1
REV B

PART NO.	A98022-037	REV	ECO	DATE	APP
		B	104614	07-06-18	TLM

MATERIALS

HOUSING:

ALUMINUM 6061, NICKEL
PLATED (500 MICROINCHES
MINIMUM) PER SAE-AMS-2404

INSULATOR:

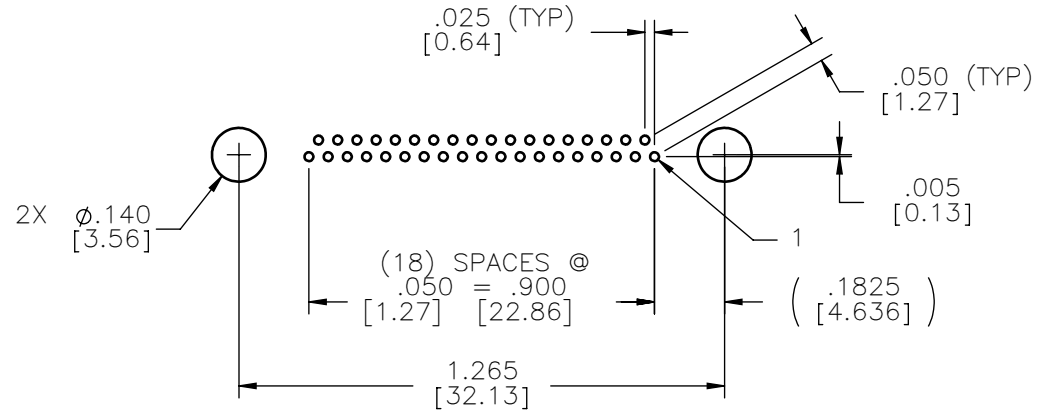
LIQUID CRYSTAL POLYMER
(LCP) PER ASTM D5138

CONTACT:

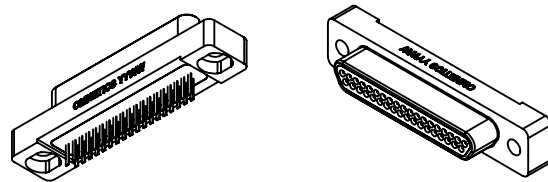
BERYLLIUM COPPER PER ASTM
B194, C17200, GOLD PLATED
PER ASTM B488, (HARD GOLD)
TYPE II CODE C, CLASS 1.27
(CONTACT MATING AREA ONLY)

TERMINATION:

SOLDER COATED WITH SN63A
PER J-STD-006 OR AMS-P-
81728



SUGGESTED HOLE PATTERN



ACTUAL SIZE

NOTE:

DIMENSIONS IN [] ARE IN
MILLIMETERS UNLESS
OTHERWISE NOTED AND ARE
FOR REFERENCE ONLY

MTC	THIRD ANGLE	THIS DRAWING CONTAINS CONFIDENTIAL AND PROPRIETARY INFORMATION WHICH IS THE PROPERTY OF OMNETICS CONNECTOR CORP. THIS DOCUMENT MAY NOT, IN WHOLE OR IN PART, BE DUPLICATED, OR DISCLOSED FOR ANY PURPOSE, WITHOUT WRITTEN PERMISSION FROM OMNETICS CONNECTOR CORP.		OMNETICS	CAGE CODE 61873	
	-TOLERANCES-	DFTM. TLM	DATE		CONNECTOR CORPORATION	DWG NO.
	UNLESS OTHERWISE NOTED	CHK'D.	DATE	7260 COMMERCE CIRCLE EAST	A98022-037	SHEET 2 OF 2
	DIMENSIONS IN INCHES	APP'D.	DATE	MINNEAPOLIS, MN 55432	SCALE: 2:1	REV
2 PL DEC ± .01			WWW.OMNETICS.COM		B	
3 PL DEC ± .005						
4 PL DEC ± .0005						
ANGLES ± 1°						

TITLE:
**(37) PIN MALE
STRAIGHT BOARD MOUNT
MICRO-D CONNECTOR**