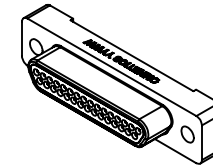
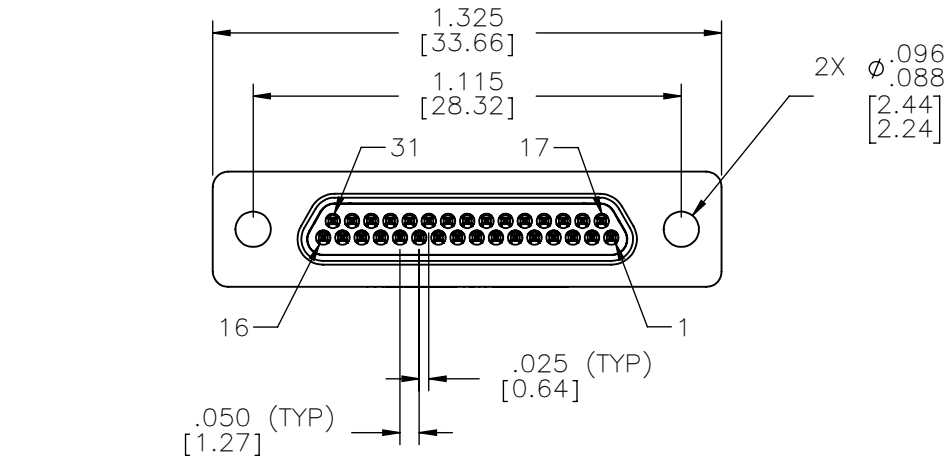
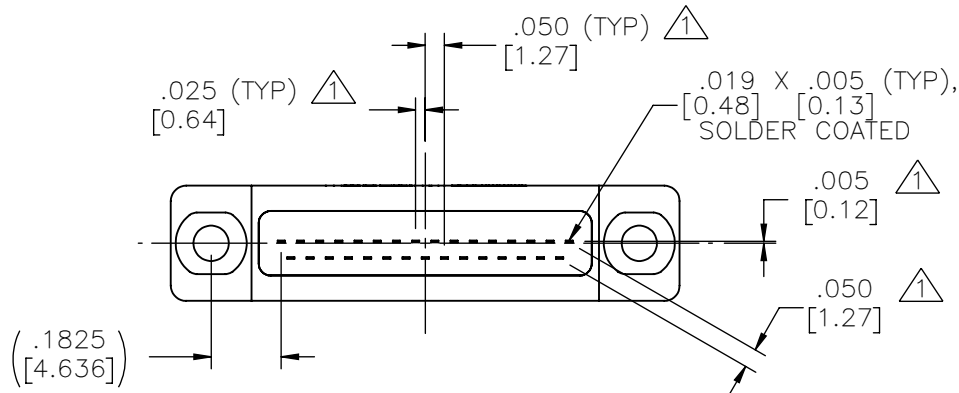
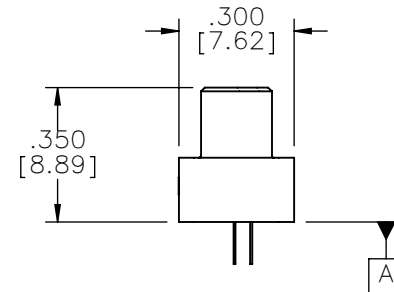
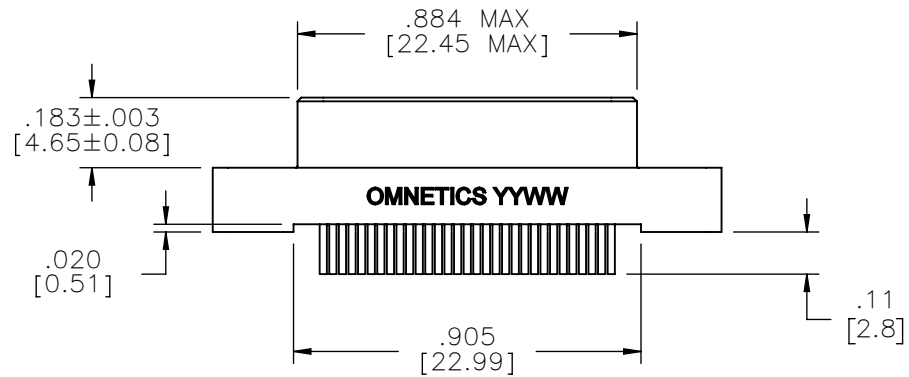


PART NO.	A98022-031	REV	ECO	DATE	APP
		B	104614	07-06-18	TLM



ACTUAL SIZE



NOTES:

DIMENSIONS IN [ ] ARE IN MILLIMETERS UNLESS OTHERWISE NOTED AND ARE FOR REFERENCE ONLY

TAIL DIMENSIONS APPLY AT PLANE A

MFG	THIRD ANGLE
	-TOLERANCES-
	UNLESS OTHERWISE NOTED
	DIMENSIONS IN INCHES
2	PL DEC ± .01
3	PL DEC ± .005
4	PL DEC ± .0005
	ANGLES ± 1°

THIS DRAWING CONTAINS CONFIDENTIAL AND PROPRIETARY INFORMATION WHICH IS THE PROPERTY OF OMNETICS CONNECTOR CORP. THIS DOCUMENT MAY NOT, IN WHOLE OR IN PART, BE DUPLICATED, OR DISCLOSED FOR ANY PURPOSE, WITHOUT WRITTEN PERMISSION FROM OMNETICS CONNECTOR CORP.

DFTM. DGJ	DATE 11-15-12
CHK'D.	DATE
APP'D.	DATE

TITLE:  
 (31) PIN MALE  
 STRAIGHT BOARD MOUNT  
 MICRO-D CONNECTOR

**OMNETICS**  
 CONNECTOR CORPORATION  
 7260 COMMERCE CIRCLE EAST  
 MINNEAPOLIS, MN 55432  
 WWW.OMNETICS.COM

CAGE CODE 61873	
DWG NO. A98022-031	
SHEET 1 OF 2	REV B
SCALE: 2:1	

PART NO.	A98022-031	REV	ECO	DATE	APP
		B	104614	07-06-18	TLM

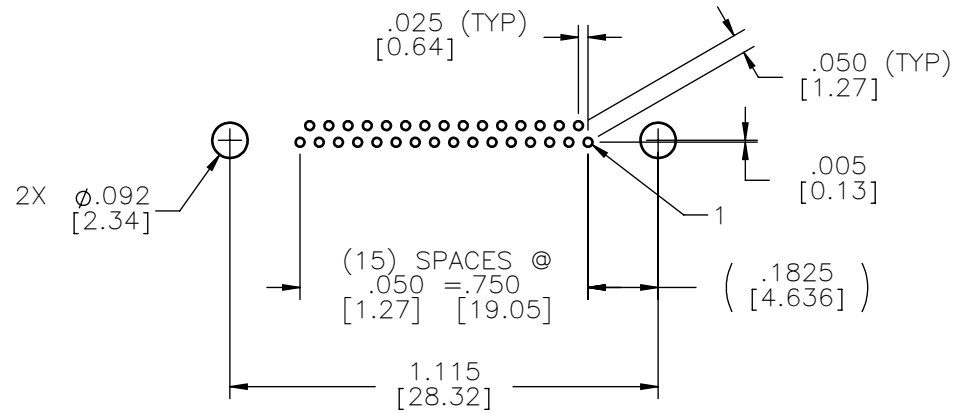
**MATERIALS**

HOUSING:  
ALUMINUM 6061, NICKEL  
PLATED (500 MICROINCHES  
MINIMUM) PER SAE-AMS-2404

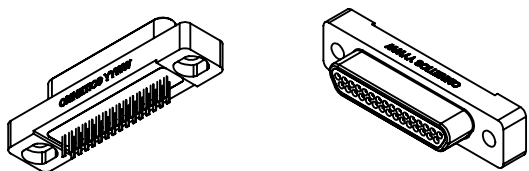
INSULATOR:  
LIQUID CRYSTAL POLYMER  
(LCP) PER ASTM D5138

CONTACT:  
BERYLLIUM COPPER PER ASTM  
B194, C17200, GOLD PLATED  
PER ASTM B488, (HARD GOLD)  
TYPE II CODE C, CLASS 1.27  
(CONTACT MATING AREA ONLY)

TERMINATION:  
SOLDER COATED WITH SN63A  
PER J-STD-006 OR AMS-P-  
81728



SUGGESTED HOLE PATTERN



ACTUAL SIZE

**NOTE:**

DIMENSIONS IN [ ] ARE IN  
MILLIMETERS UNLESS  
OTHERWISE NOTED AND ARE  
FOR REFERENCE ONLY

MDCS SLOW	THIRD ANGLE	THIS DRAWING CONTAINS CONFIDENTIAL AND PROPRIETARY INFORMATION WHICH IS THE PROPERTY OF OMNETICS CONNECTOR CORP. THIS DOCUMENT MAY NOT, IN WHOLE OR IN PART, BE DUPLICATED, OR DISCLOSED FOR ANY PURPOSE, WITHOUT WRITTEN PERMISSION FROM OMNETICS CONNECTOR CORP.		<b>OMNETICS</b> CONNECTOR CORPORATION 7260 COMMERCE CIRCLE EAST MINNEAPOLIS, MN 55432 WWW.OMNETICS.COM	CAGE CODE <b>61873</b>	
	-TOLERANCES-	DFTM. DGJ	DATE		TITLE:	DWG NO.
	UNLESS OTHERWISE NOTED	CHK'D.	DATE		(31) PIN MALE	<b>A98022-031</b>
	DIMENSIONS IN INCHES	APP'D.	DATE		STRAIGHT BOARD MOUNT MICRO-D CONNECTOR	SHEET 2 OF 2
2 PL DEC ± .01				SCALE: 2:1	REV	
3 PL DEC ± .005					B	
4 PL DEC ± .0005						
ANGLES ± 1°						