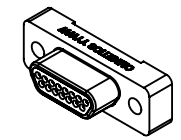
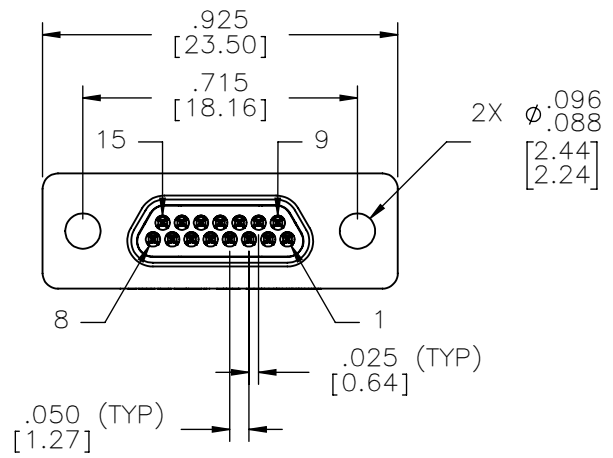
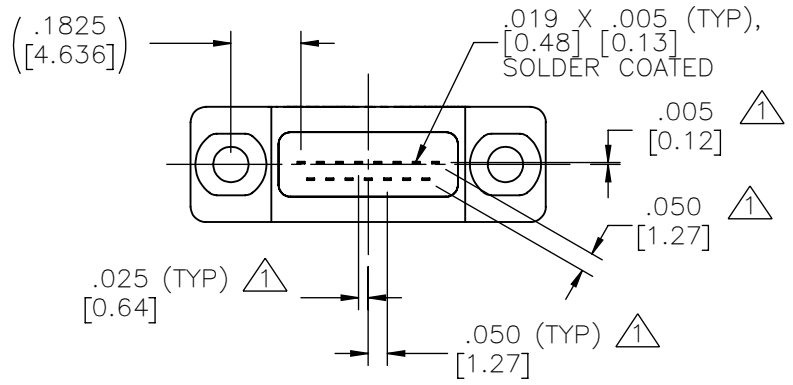
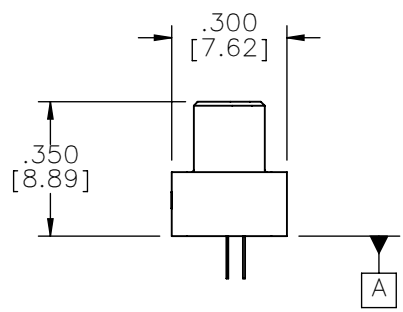
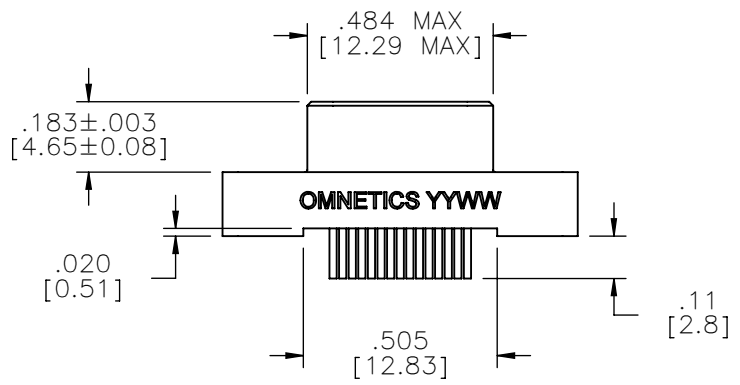


PART NO.	A98022-015	REV	ECO	DATE	APP
		B	104194	02-01-18	HV



ACTUAL SIZE



NOTES:

DIMENSIONS IN [] ARE IN MILLIMETERS UNLESS OTHERWISE NOTED AND ARE FOR REFERENCE ONLY

⚠ TAIL DIMENSIONS APPLY AT PLANE A

MFG	THIRD ANGLE
	-TOLERANCES-
	UNLESS OTHERWISE NOTED
	DIMENSIONS IN INCHES
2	PL DEC ± .01
3	PL DEC ± .005
4	PL DEC ± .0005
	ANGLES ± 1°

THIS DRAWING CONTAINS CONFIDENTIAL AND PROPRIETARY INFORMATION WHICH IS THE PROPERTY OF OMNETICS CONNECTOR CORP. THIS DOCUMENT MAY NOT, IN WHOLE OR IN PART, BE DUPLICATED, OR DISCLOSED FOR ANY PURPOSE, WITHOUT WRITTEN PERMISSION FROM OMNETICS CONNECTOR CORP.

DFTM.	TLM	DATE	11-01-12
CHK'D.		DATE	
APP'D.		DATE	

TITLE:
 (15) PIN MALE
 STRAIGHT BOARD MOUNT
 MICRO-D CONNECTOR

OMNETICS
 CONNECTOR CORPORATION
 7260 COMMERCE CIRCLE EAST
 MINNEAPOLIS, MN 55432
 WWW.OMNETICS.COM

CAGE CODE 61873	
DWG NO. A98022-015	
SHEET 1 OF 2	REV B
SCALE: 2:1	

PART NO.	A98022-015	REV	ECO	DATE	APP
		B	104194	02-01-18	HV

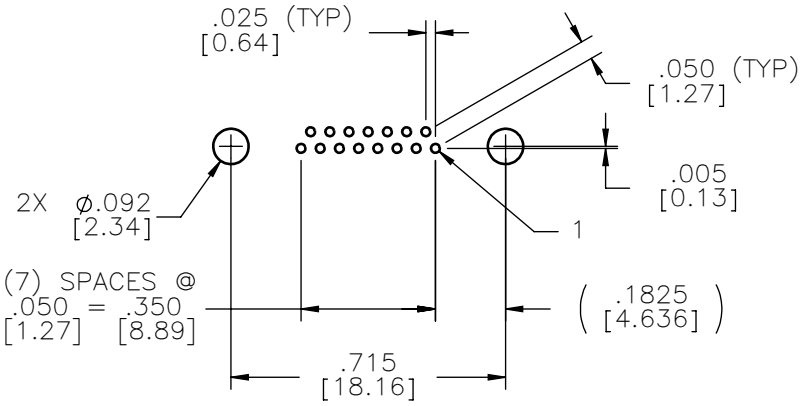
MATERIALS

HOUSING:
 ALUMINUM 6061, NICKEL PLATE
 (500 MICRONS MINIMUM)
 PER SAE-AMS-2404

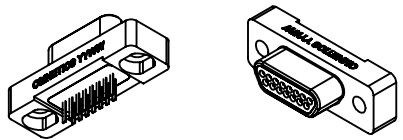
INSULATOR:
 LIQUID CRYSTAL POLYMER
 (LCP) PER ASTM D5138

CONTACT:
 BERYLLIUM COPPER PER ASTM
 B194, C17200, GOLD PLATED
 PER ASTM B488, (HARD GOLD)
 TYPE II CODE C, CLASS 1.27
 (CONTACT MATING AREA ONLY)

TERMINATION:
 SOLDER COATED WITH SN63A
 PER J-STD-006 OR AMS-P-
 81728



SUGGESTED HOLE PATTERN



ACTUAL SIZE

NOTE:
 DIMENSIONS IN [] ARE IN
 MILLIMETERS UNLESS
 OTHERWISE NOTED AND ARE
 FOR REFERENCE ONLY

MGT'S / S/DW	THIRD ANGLE	THIS DRAWING CONTAINS CONFIDENTIAL AND PROPRIETARY INFORMATION WHICH IS THE PROPERTY OF OMNETICS CONNECTOR CORP. THIS DOCUMENT MAY NOT, IN WHOLE OR IN PART, BE DUPLICATED, OR DISCLOSED FOR ANY PURPOSE, WITHOUT WRITTEN PERMISSION FROM OMNETICS CONNECTOR CORP.		OMNETICS CONNECTOR CORPORATION 7260 COMMERCE CIRCLE EAST MINNEAPOLIS, MN 55432 WWW.OMNETICS.COM	CAGE CODE 61873	
	-TOLERANCES-	DFTM. TLM	DATE		TITLE:	DWG NO.
	UNLESS OTHERWISE NOTED	CHK'D.	DATE		(15) PIN MALE	A98022-015
	DIMENSIONS IN INCHES	APP'D.	DATE		STRAIGHT BOARD MOUNT	SHEET 2 OF 2
2 PL DEC ± .01			MICRO-D CONNECTOR	REV		
3 PL DEC ± .005				B		
4 PL DEC ± .0005				SCALE: 2:1		
ANGLES ± 1°						