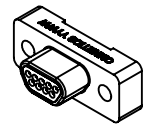
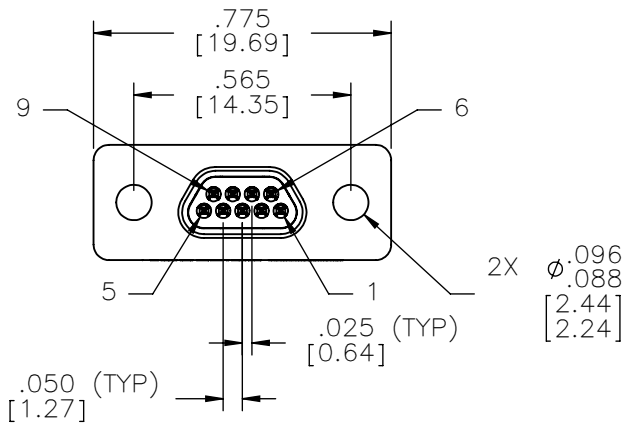
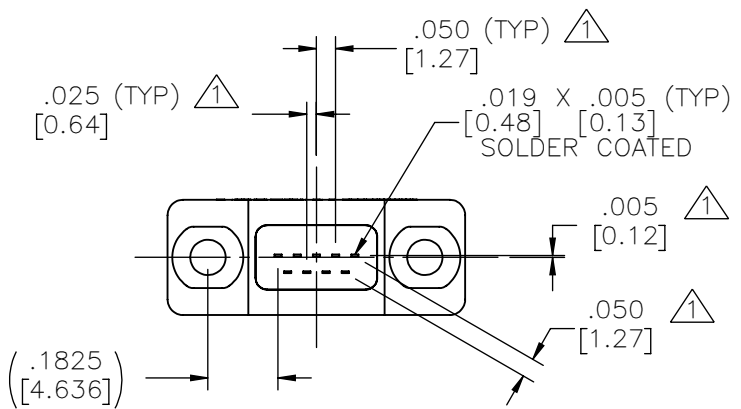
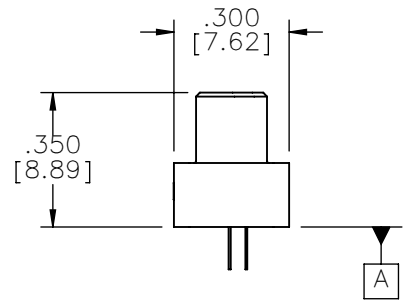
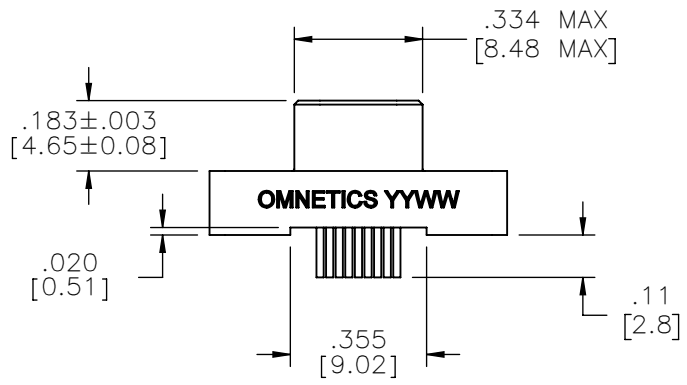


PART NO.	A98022-009	REV	ECO	DATE	APP
		B	104614	07-06-18	TLM



ACTUAL SIZE



NOTES:

DIMENSIONS IN [] ARE IN MILLIMETERS UNLESS OTHERWISE NOTED AND ARE FOR REFERENCE ONLY

TAIL DIMENSIONS APPLY AT PLANE **A**

MFG'D	THIRD ANGLE	THIS DRAWING CONTAINS CONFIDENTIAL AND PROPRIETARY INFORMATION WHICH IS THE PROPERTY OF OMNETICS CONNECTOR CORP. THIS DOCUMENT MAY NOT, IN WHOLE OR IN PART, BE DUPLICATED, OR DISCLOSED FOR ANY PURPOSE, WITHOUT WRITTEN PERMISSION FROM OMNETICS CONNECTOR CORP.	
	- TOLERANCES -	DFTM. TLM	DATE 08-15-11
	UNLESS OTHERWISE NOTED	CHK'D.	DATE
	DIMENSIONS IN INCHES	APP'D.	DATE
MFG'D	2 PL DEC ± .01	TITLE: (9) PIN MALE STRAIGHT BOARD MOUNT MICRO-D CONNECTOR	
	3 PL DEC ± .005		
	4 PL DEC ± .0005		
	ANGLES ± 1°		

OMNETICS
CONNECTOR CORPORATION
 7260 COMMERCE CIRCLE EAST
 MINNEAPOLIS, MN 55432
 WWW.OMNETICS.COM

CAGE CODE 61873	
DWG NO. A98022-009	
SHEET 1 OF 2	REV B
SCALE: 2:1	

PART NO.	A98022-009	REV	ECO	DATE	APP
		B	104614	07-06-18	TLM

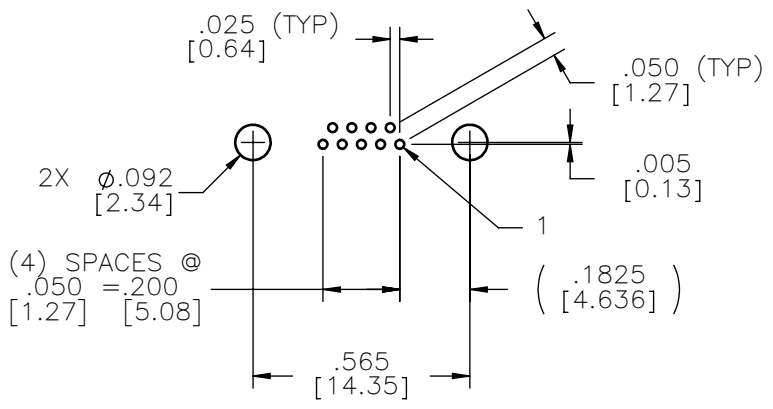
MATERIALS

HOUSING:
 ALUMINUM 6061, NICKEL
 PLATED (500 MICRONS
 MINIMUM) PER SAE-AMS-2404

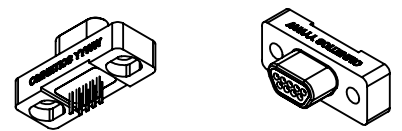
INSULATOR:
 LIQUID CRYSTAL POLYMER
 (LCP) PER ASTM D5138

CONTACT:
 BERYLLIUM COPPER PER ASTM
 B194, C17200, GOLD PLATED
 PER ASTM B488, (HARD GOLD)
 TYPE II CODE C, CLASS 1.27
 (CONTACT MATING AREA ONLY)

TERMINATION:
 SOLDER COATED WITH SN63A
 PER J-STD-006 OR AMS-P-
 81728



SUGGESTED HOLE PATTERN



ACTUAL SIZE

NOTE:
 DIMENSIONS IN [] ARE IN
 MILLIMETERS UNLESS
 OTHERWISE NOTED AND ARE
 FOR REFERENCE ONLY

MFG	THIRD ANGLE	THIS DRAWING CONTAINS CONFIDENTIAL AND PROPRIETARY INFORMATION WHICH IS THE PROPERTY OF OMNETICS CONNECTOR CORP. THIS DOCUMENT MAY NOT, IN WHOLE OR IN PART, BE DUPLICATED, OR DISCLOSED FOR ANY PURPOSE, WITHOUT WRITTEN PERMISSION FROM OMNETICS CONNECTOR CORP.	DATE 08-15-11	TITLE: (9) PIN MALE STRAIGHT BOARD MOUNT MICRO-D CONNECTOR	CAGE CODE 61873	DWG NO. A98022-009	
	UNLESS OTHERWISE NOTED DIMENSIONS IN INCHES					DFTM. TLM	DATE
STG	2 PL DEC ± .01 3 PL DEC ± .005 4 PL DEC ± .0005 ANGLES ± 1°	CHK'D.	DATE	APP'D.	DATE	SCALE: 2:1	

OMNETICS
 CONNECTOR CORPORATION
 7260 COMMERCE CIRCLE EAST
 MINNEAPOLIS, MN 55432
 WWW.OMNETICS.COM