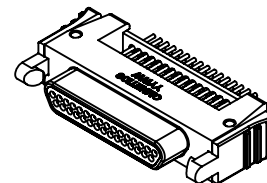
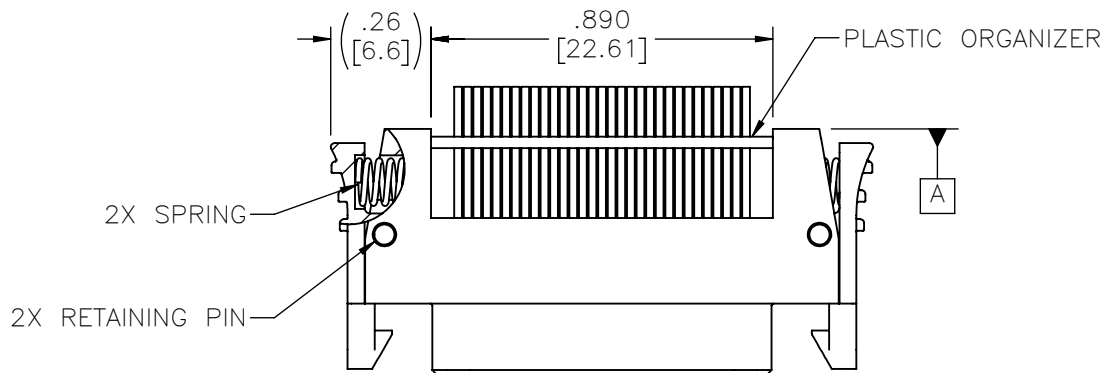
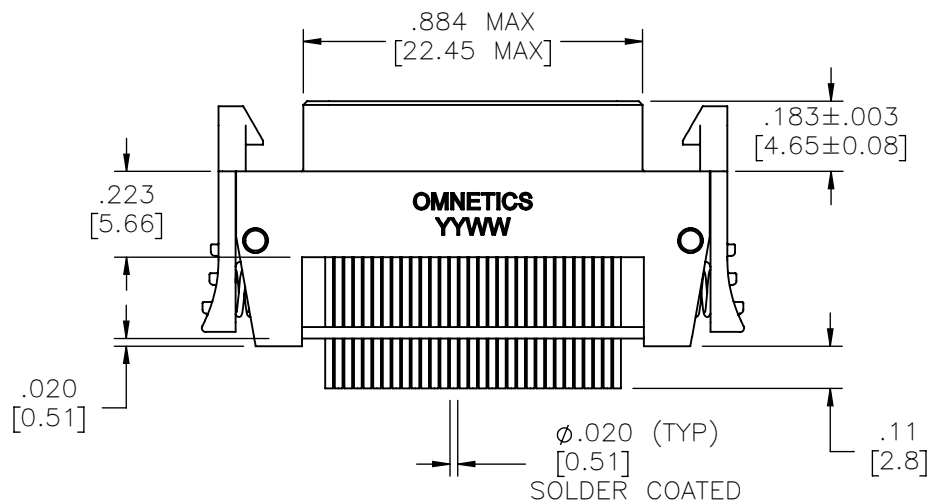
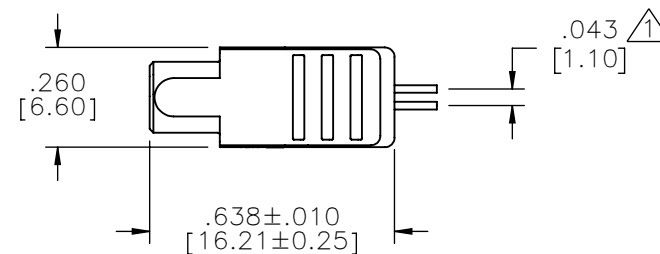
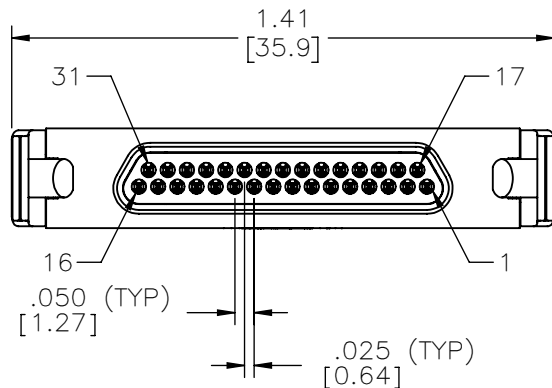


PART NO.	A98017-031	REV	ECO	DATE	APP
		A	104862	09-26-18	EDG



ACTUAL SIZE



NOTES:

DIMENSIONS IN [ ] ARE IN MILLIMETERS UNLESS OTHERWISE NOTED AND ARE FOR REFERENCE ONLY

△ TAIL DIMENSIONS APPLY AT PLANE A

THIRD ANGLE	
- TOLERANCES -	
UNLESS OTHERWISE NOTED	
DIMENSIONS IN INCHES	
2 PL DEC	± .01
3 PL DEC	± .005
4 PL DEC	± .0005
ANGLES ± 1°	

THIS DRAWING CONTAINS CONFIDENTIAL AND PROPRIETARY INFORMATION WHICH IS THE PROPERTY OF OMNETICS CONNECTOR CORP. THIS DOCUMENT MAY NOT, IN WHOLE OR IN PART, BE DUPLICATED, OR DISCLOSED FOR ANY PURPOSE, WITHOUT WRITTEN PERMISSION FROM OMNETICS CONNECTOR CORP.

DFTM.	EDG	DATE	08-28-18
CHK'D.		DATE	
APP'D.		DATE	

TITLE: (31) PIN MALE STRAIGHT THRU-HOLE MICRO-D CONNECTOR

**OMNETICS**  
CONNECTOR CORPORATION  
7260 COMMERCE CIRCLE EAST  
MINNEAPOLIS, MN 55432  
WWW.OMNETICS.COM

CAGE CODE	61873
DWG NO.	A98017-031
SHEET 1 OF 2	REV A
SCALE:	2:1

PART NO.	A98017-031	REV	ECO	DATE	APP
		A	104862	09-26-18	EDG

**MATERIALS**

HOUSING:  
ALUMINUM 6061, NICKEL PLATE  
(500 MICROINCHES MINIMUM)  
PER SAE-AMS-2404

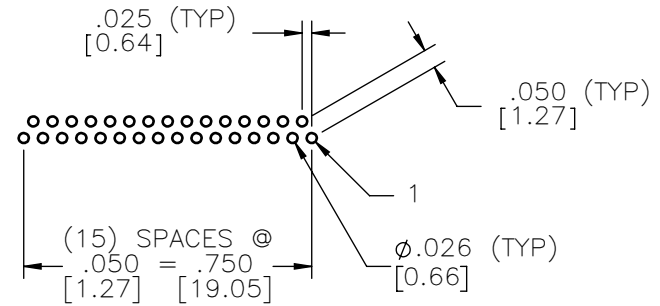
INSULATOR:  
LIQUID CRYSTAL POLYMER (LCP)  
PER ASTM D5138

CONTACT:  
BERYLLIUM COPPER PER ASTM  
B194, C17200, GOLD PLATED  
PER ASTM B488, (HARD GOLD)  
TYPE II CODE C, CLASS 1.27

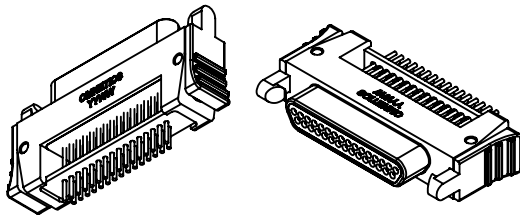
TERMINATION:  
SOLDER COATED WITH SN63A  
PER J-STD-006 OR AMS-P-  
81728

ORGANIZER PLATE:  
ULTEM 1000

HARDWARE:  
STAINLESS STEEL, PASSIVATED  
PER SAE-AMS-2700



SUGGESTED HOLE PATTERN



ACTUAL SIZE

**NOTE:**

DIMENSIONS IN [ ] ARE IN MILLIMETERS UNLESS OTHERWISE NOTED AND ARE FOR REFERENCE ONLY

MGT/	THIRD ANGLE
	-TOLERANCES-
	UNLESS OTHERWISE NOTED
	DIMENSIONS IN INCHES
2	PL DEC ± .01
3	PL DEC ± .005
4	PL DEC ± .0005
	ANGLES ± 1°

THIS DRAWING CONTAINS CONFIDENTIAL AND PROPRIETARY INFORMATION WHICH IS THE PROPERTY OF OMNETICS CONNECTOR CORP. THIS DOCUMENT MAY NOT, IN WHOLE OR IN PART, BE DUPLICATED, OR DISCLOSED FOR ANY PURPOSE, WITHOUT WRITTEN PERMISSION FROM OMNETICS CONNECTOR CORP.

DFTM. EDG	DATE
CHK'D.	08-28-18
APP'D.	DATE

TITLE:  
(31) PIN MALE  
STRAIGHT THRU-HOLE  
MICRO-D CONNECTOR

**OMNETICS**  
CONNECTOR CORPORATION  
7260 COMMERCE CIRCLE EAST  
MINNEAPOLIS, MN 55432  
WWW.OMNETICS.COM

CAGE CODE 61873	
DWG NO. A98017-031	
SHEET 2 OF 2	REV A
SCALE: 2:1	