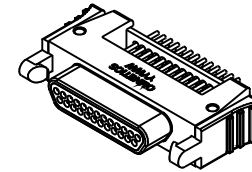
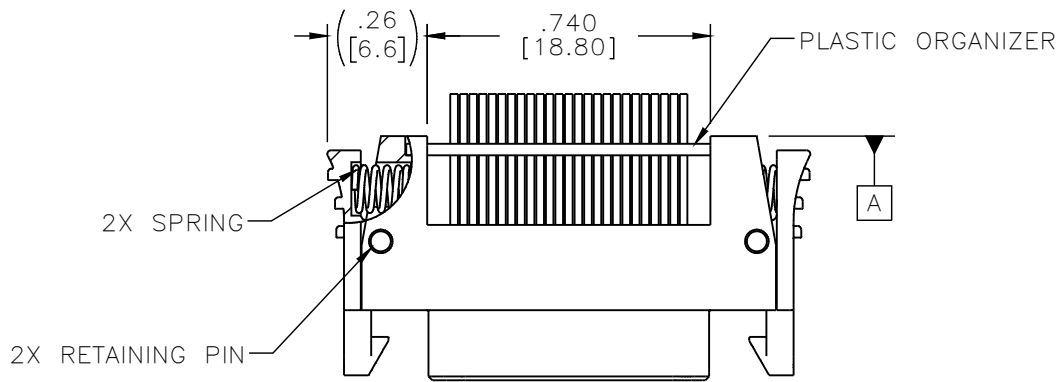
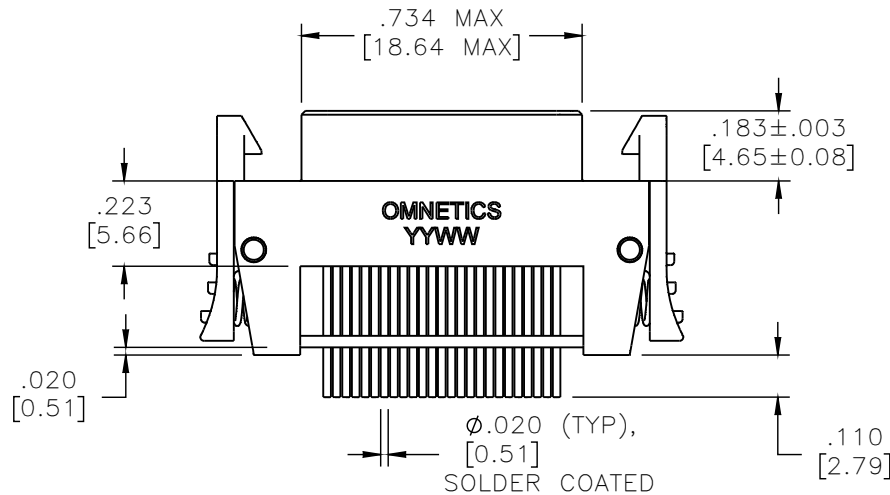
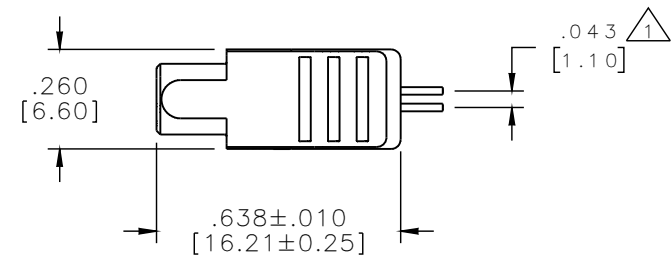
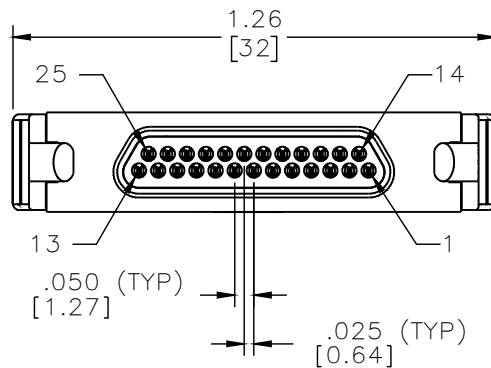


PART NO.	A98017-025	REV	ECO	DATE	APP
		A	103590	06-29-17	TLM



ACTUAL SIZE



NOTES:

DIMENSIONS IN [] ARE IN MILLIMETERS UNLESS OTHERWISE NOTED AND ARE FOR REFERENCE ONLY

△ TAIL DIMENSIONS APPLY AT PLANE A

LMDP SLDW	THIRD ANGLE	THIS DRAWING CONTAINS CONFIDENTIAL AND PROPRIETARY INFORMATION WHICH IS THE PROPERTY OF OMNETICS CONNECTOR CORP. THIS DOCUMENT MAY NOT, IN WHOLE OR IN PART, BE DUPLICATED, OR DISCLOSED FOR ANY PURPOSE, WITHOUT WRITTEN PERMISSION FROM OMNETICS CONNECTOR CORP.	
	-TOLERANCES-	DATE	TITLE:
	UNLESS OTHERWISE NOTED	01-25-12	(25) PIN MALE
	DIMENSIONS IN INCHES	DATE	STRAIGHT THRU-HOLE
2 PL DEC±.01	DATE	MICRO-D CONNECTOR	
3 PL DEC±.005	DATE		
4 PL DEC±.0005	DATE		
ANGLES ± 1°	DATE		

OMNETICS
CONNECTOR CORPORATION
7260 COMMERCE CIRCLE EAST
MINNEAPOLIS, MN 55432
WWW.OMNETICS.COM

CAGE CODE	61873
DWG NO.	A98017-025
SHEET 1 OF 2	REV
SCALE: 2:1	A

PART NO.	A98017-025	REV	ECO	DATE	APP
		A	103590	06-29-17	TLM

MATERIALS

HOUSING:

ALUMINUM 6061-T6, NICKEL
PLATE PER SAE-AMS-2404

INSULATOR:

LIQUID CRYSTAL POLYMER (LCP)
PER ASTM D5138

CONTACT:

BERYLLIUM COPPER PER ASTM
B194, C17200, GOLD PLATED
PER ASTM B488, (HARD GOLD)
TYPE II CODE C, CLASS 1.27

TERMINATION:

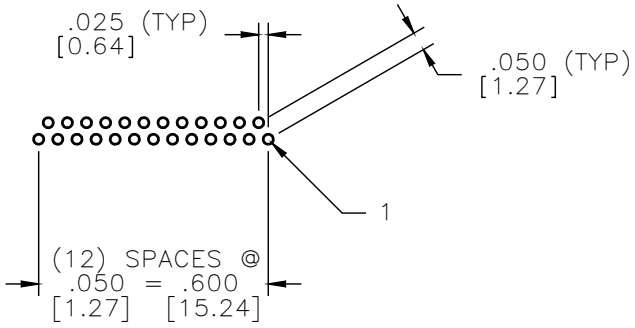
SOLDER COATED WITH SN63A
PER J-STD-006 OR AMS-P-
81728

ORGANIZER PLATE:

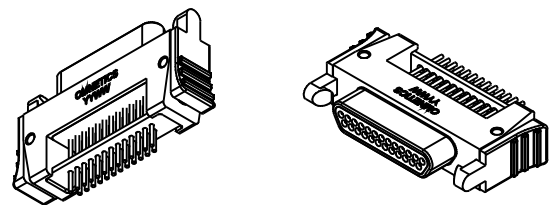
ULTEM 1000

HARDWARE:

STAINLESS STEEL, PASSIVATED
PER SAE-AMS-2700



SUGGESTED HOLE PATTERN



ACTUAL SIZE

NOTE:

DIMENSIONS IN [] ARE IN
MILLIMETERS UNLESS
OTHERWISE NOTED AND ARE
FOR REFERENCE ONLY

LMDP SLDW	THIRD ANGLE	THIS DRAWING CONTAINS CONFIDENTIAL AND PROPRIETARY INFORMATION WHICH IS THE PROPERTY OF OMNETICS CONNECTOR CORP. THIS DOCUMENT MAY NOT, IN WHOLE OR IN PART, BE DUPLICATED, OR DISCLOSED FOR ANY PURPOSE, WITHOUT WRITTEN PERMISSION FROM OMNETICS CONNECTOR CORP.		OMNETICS CONNECTOR CORPORATION 7260 COMMERCE CIRCLE EAST MINNEAPOLIS, MN 55432 WWW.OMNETICS.COM	CAGE CODE 61873	
	-TOLERANCES- UNLESS OTHERWISE NOTED DIMENSIONS IN INCHES	DFTM. JPF	DATE 01-25-12		TITLE: (25) PIN MALE STRAIGHT THRU-HOLE MICRO-D CONNECTOR	DWG NO. A98017-025
	2 PL DEC ± .01 3 PL DEC ± .005 4 PL DEC ± .0005 ANGLES ± 1°	CHK'D.	DATE			SHEET 2 OF 2
		APP'D.	DATE			REV A
					SCALE: 2:1	