

MATERIALS

HOUSING:
ALUMINUM 6061-T6, NICKEL PLATE PER SAE-AMS-2404

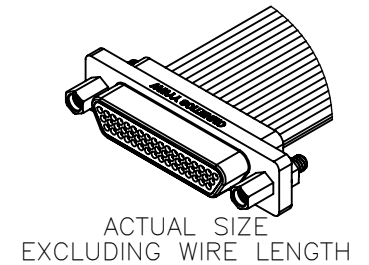
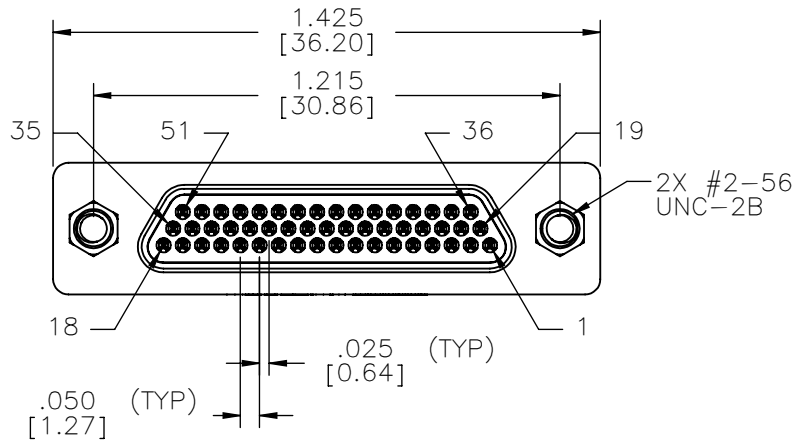
INSULATOR:
LIQUID CRYSTAL POLYMER (LCP) PER ASTM D5138

CONTACT:
BERYLLIUM COPPER PER ASTM B194, C17200, GOLD PLATED PER ASTM B488, (HARD GOLD) TYPE II CODE C, CLASS 1.27

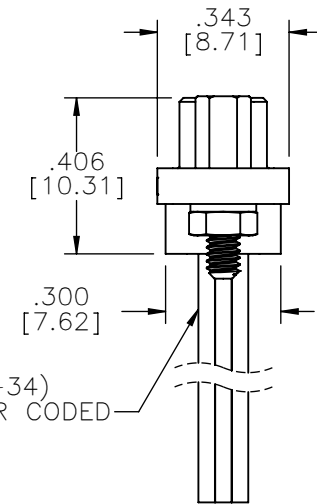
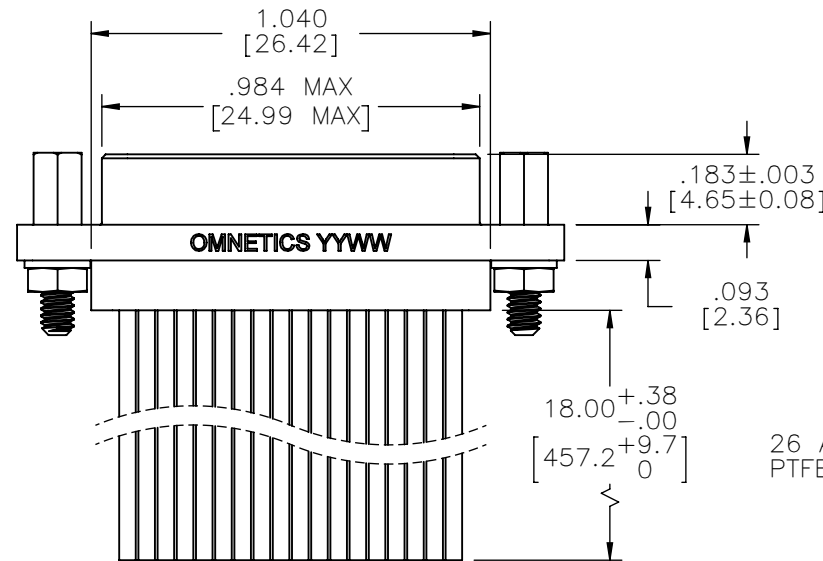
WIRE:
NEMA HP3 TYPE E, COLOR CODED IAW MIL-STD-681, SYSTEM 1, USING TEN SOLID REPEATING COLORS

HARDWARE:
STAINLESS STEEL, PASSIVATED PER SAE-AMS-2700

| | | | | | |
|----------|------------|-----|--------|----------|-----|
| PART NO. | A98003-513 | REV | ECO | DATE | APP |
| | | A | 101111 | 12-08-14 | BCV |



| PIN # | COLOR |
|-----------------------|--------|
| 1, 11, 21, 31, 41, 51 | BLACK |
| 2, 12, 22, 32, 42 | BROWN |
| 3, 13, 23, 33, 43 | RED |
| 4, 14, 24, 34, 44 | ORANGE |
| 5, 15, 25, 35, 45 | YELLOW |
| 6, 16, 26, 36, 46 | GREEN |
| 7, 17, 27, 37, 47 | BLUE |
| 8, 18, 28, 38, 48 | VIOLET |
| 9, 19, 29, 39, 49 | GRAY |
| 10, 20, 30, 40, 50 | WHITE |



INTERNAL USE ONLY
USE MFG LOADING
PROCEDURE MMDP-513

RoHS

NOTE:

DIMENSIONS IN [] ARE IN MILLIMETERS UNLESS OTHERWISE NOTED AND ARE FOR REFERENCE ONLY

| | | | | | | |
|------------------|------------------------|---|------|--|------------------------|-------------------|
| MDCS /DWG | THIRD ANGLE | THIS DRAWING CONTAINS CONFIDENTIAL AND PROPRIETARY INFORMATION WHICH IS THE PROPERTY OF OMNETICS CONNECTOR CORPORATION. THIS DOCUMENT MAY NOT, IN WHOLE OR IN PART, BE DUPLICATED, OR DISCLOSED FOR ANY PURPOSE, WITHOUT WRITTEN PERMISSION FROM OMNETICS CONNECTOR CORP. | | <h1>OMNETICS</h1> <p>CONNECTOR CORPORATION</p> <p>7260 COMMERCE CIRCLE EAST MINNEAPOLIS, MN 55432 WWW.OMNETICS.COM</p> | CAGE CODE 61873 | |
| | -TOLERANCES- | DFTM. WLE | DATE | | TITLE: | DWG NO. |
| | UNLESS OTHERWISE NOTED | CHK'D. | DATE | | (51) PIN MALE | A98003-513 |
| | DIMENSIONS IN INCHES | APP'D. | DATE | | MICRO-D CONNECTOR | SHEET 1 OF 1 |
| 2 PL DEC ± .01 | | | | REV | | |
| 3 PL DEC ± .005 | | | | A | | |
| 4 PL DEC ± .0005 | | | | SCALE: 2:1 | | |
| ANGLES ± 1° | | | | | | |