

MATERIALS

HOUSING:
ALUMINUM 6061-T6, NICKEL
PLATE PER SAE-AMS-2404

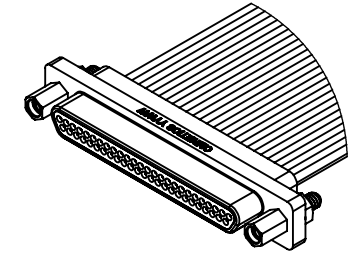
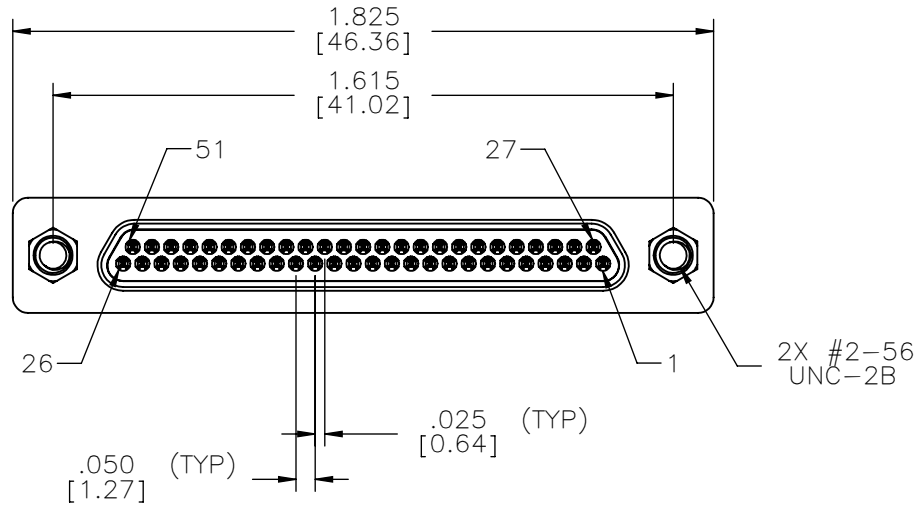
INSULATOR:
LIQUID CRYSTAL POLYMER
(LCP) PER ASTM D5138

CONTACT:
BERYLLIUM COPPER PER
ASTM B194, C17200, GOLD
PLATED PER ASTM B488,
(HARD GOLD) TYPE II CODE
C, CLASS 1.27

WIRE:
NEMA HP3 TYPE E, COLOR
CODED IAW MIL-STD-681,
SYSTEM 1, USING TEN SOLID
REPEATING COLORS

HARDWARE:
STAINLESS STEEL, PASSIVATED
PER SAE-AMS-2700

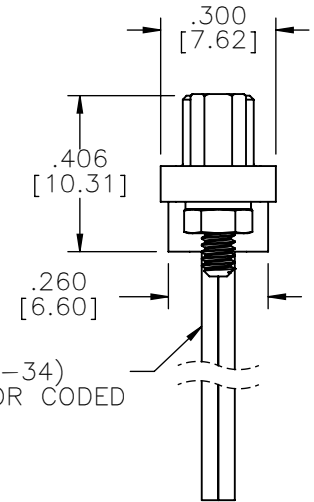
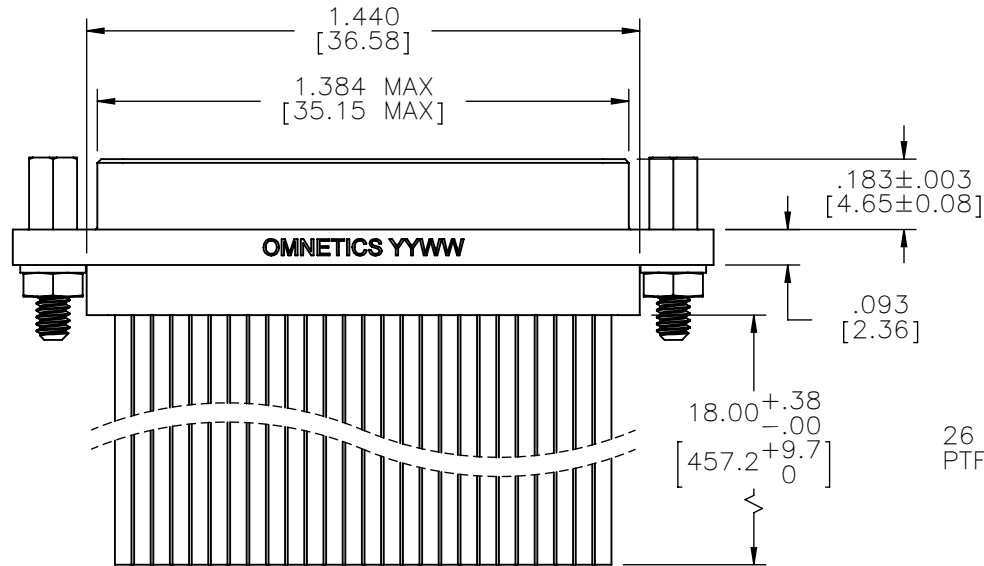
PART NO.	A98003-512	REV	ECO	DATE	APP
		A	99721	07-27-13	TLM



ACTUAL SIZE
EXCLUDING WIRE LENGTH

PIN #	COLOR
1, 11, 21, 31, 41, 51	BLACK
2, 12, 22, 32, 42	BROWN
3, 13, 23, 33, 43	RED
4, 14, 24, 34, 44	ORANGE
5, 15, 25, 35, 45	YELLOW
6, 16, 26, 36, 46	GREEN
7, 17, 27, 37, 47	BLUE
8, 18, 28, 38, 48	VIOLET
9, 19, 29, 39, 49	GRAY
10, 20, 30, 40, 50	WHITE

INTERNAL USE ONLY
USE MFG LOADING
PROCEDURE MMDP-512



RoHS

NOTE:

DIMENSIONS IN [] ARE IN
MILLIMETERS UNLESS
OTHERWISE NOTED AND ARE
FOR REFERENCE ONLY

MDCS SLDW	THIRD ANGLE
	-TOLERANCES-
	UNLESS OTHERWISE NOTED
	DIMENSIONS IN INCHES
2 PL DEC ± .01	
3 PL DEC ± .005	
4 PL DEC ± .0005	
ANGLES ± 1°	

THIS DRAWING CONTAINS CONFIDENTIAL AND PROPRIETARY INFORMATION WHICH IS THE PROPERTY OF OMNETICS CONNECTOR CORP. THIS DOCUMENT MAY NOT, IN WHOLE OR IN PART, BE DUPLICATED, OR DISCLOSED FOR ANY PURPOSE, WITHOUT WRITTEN PERMISSION FROM OMNETICS CONNECTOR CORP.	
DFTM. JMJ	DATE 07-25-13
CHK'D.	DATE
APP'D.	DATE
TITLE: (51) PIN MALE MICRO-D CONNECTOR	

OMNETICS
CONNECTOR CORPORATION
7260 COMMERCE CIRCLE EAST
MINNEAPOLIS, MN 55432
WWW.OMNETICS.COM

CAGE CODE 61873
DWG NO. A98003-512
SHEET 1 OF 1
SCALE: 2:1
REV A