

MATERIALS

HOUSING:  
ALUMINUM 6061-T6, NICKEL  
PLATE PER AMS-C-26074

INSULATOR:  
LIQUID CRYSTAL POLYMER  
(LCP) PER ASTM D5138

CONTACT:  
BERYLLIUM COPPER PER  
ASTM B194, C17200, GOLD  
PLATED PER ASTM B488,  
(HARD GOLD) TYPE II CODE  
C, CLASS 1.27

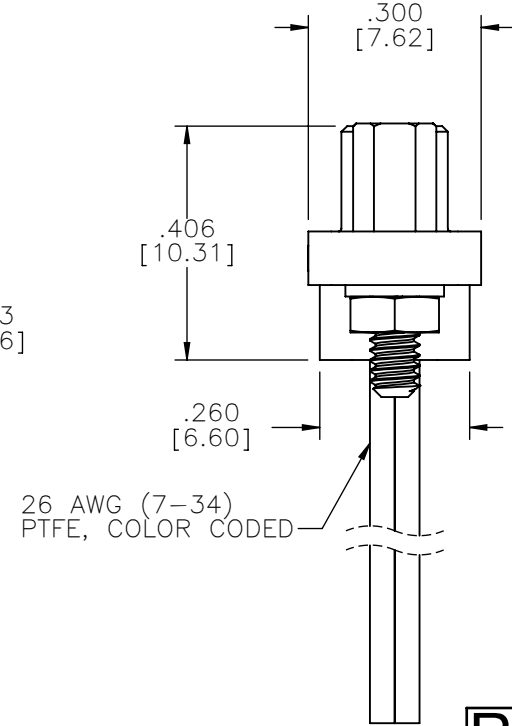
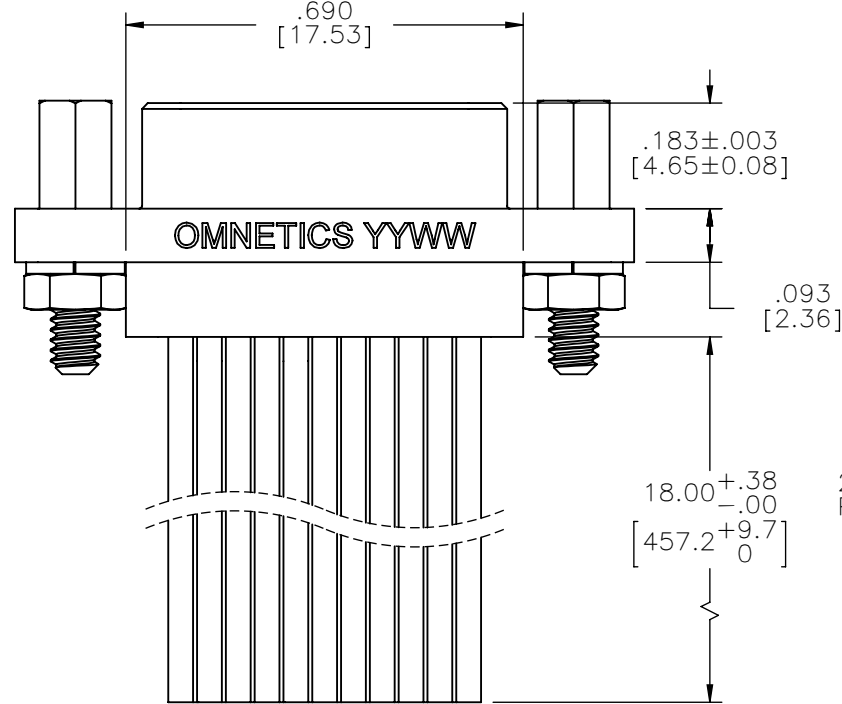
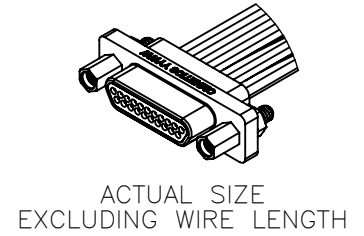
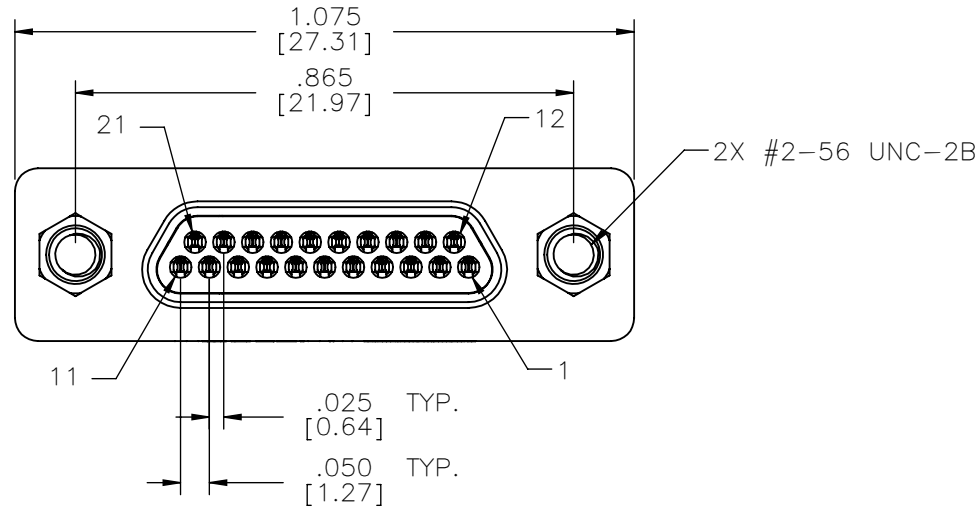
WIRE:  
NEMA HP3 TYPE E, COLOR  
CODED IAW MIL-STD-681,  
SYSTEM 1, USING TEN SOLID  
REPEATING COLORS

HARDWARE:  
STAINLESS STEEL, PASSIVATED  
PER SAE-AMS-2700

PIN #	COLOR
1, 11, 21	BLACK
2, 12	BROWN
3, 13	RED
4, 14	ORANGE
5, 15	YELLOW
6, 16	GREEN
7, 17	BLUE
8, 18	VIOLET
9, 19	GRAY
10, 20	WHITE

INTERNAL USE ONLY  
SHEET 2 OF 2 IS  
MANUFACTURING  
LOADING DIAGRAM

PART NO.	A98003-021	REV	ECO	DATE	APP
		B	99310	02-27-13	JMJ



RoHS

NOTE:

DIMENSIONS IN [ ] ARE IN  
MILLIMETERS UNLESS  
OTHERWISE NOTED AND ARE  
FOR REFERENCE ONLY

MGT'S	CJW	THIRD ANGLE
		-TOLERANCES-
		UNLESS OTHERWISE NOTED
		DIMENSIONS IN INCHES
2	PL DEC±.01	
3	PL DEC±.005	
4	PL DEC±.0005	
		ANGLES ± 1°

THIS DRAWING CONTAINS CONFIDENTIAL AND PROPRIETARY INFORMATION WHICH IS THE PROPERTY OF OMNETICS CONNECTOR CORP. THIS DOCUMENT MAY NOT, IN WHOLE OR IN PART, BE DUPLICATED, OR DISCLOSED FOR ANY PURPOSE, WITHOUT WRITTEN PERMISSION FROM OMNETICS CONNECTOR CORP.

DFTM.	TLM	DATE	12-27-11
CHK'D.		DATE	
APP'D.		DATE	

TITLE:  
(21) PIN MALE  
MICRO-D CONNECTOR  
W/JACK POSTS

**OMNETICS**  
CONNECTOR CORPORATION  
7260 COMMERCE CIRCLE EAST  
MINNEAPOLIS, MN 55432  
WWW.OMNETICS.COM

CAGE CODE 61873	
DWG NO. A98003-021	
SHEET 1 OF 2	REV B
SCALE: 3:1	