

PART NO.	A98003-009	REV	ECO	DATE	APP
		B	99310	02-27-13	JMJ

MATERIALS

HOUSING:

ALUMINUM 6061-T6, NICKEL
PLATE PER SAE-AMS-2404

INSULATOR:

LIQUID CRYSTAL POLYMER
(LCP) PER ASTM D5138

CONTACT:

BERYLLIUM COPPER PER
ASTM B194, C17200, GOLD
PLATED PER ASTM B488,
(HARD GOLD) TYPE II CODE
C, CLASS 1.27

WIRE:

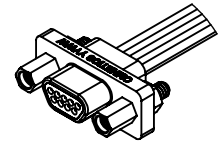
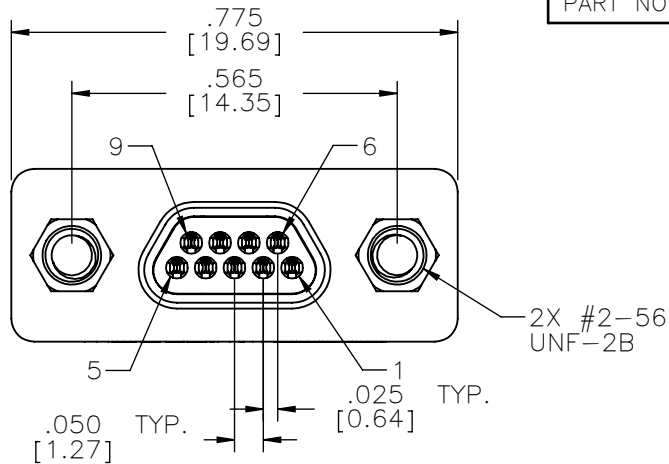
NEMA HP3 TYPE E, COLOR
CODED IAW MIL-STD-681,
SYSTEM 1, USING TEN SOLID
REPEATING COLORS

HARDWARE:

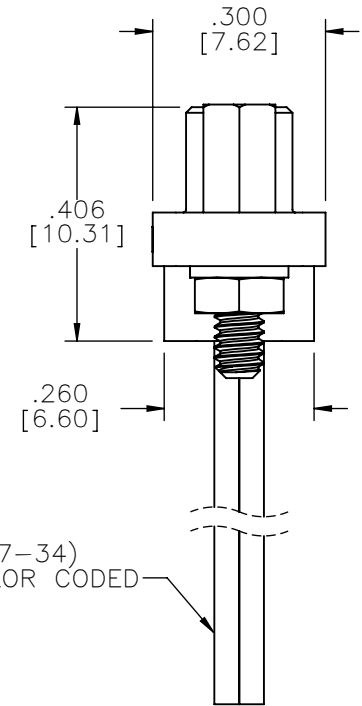
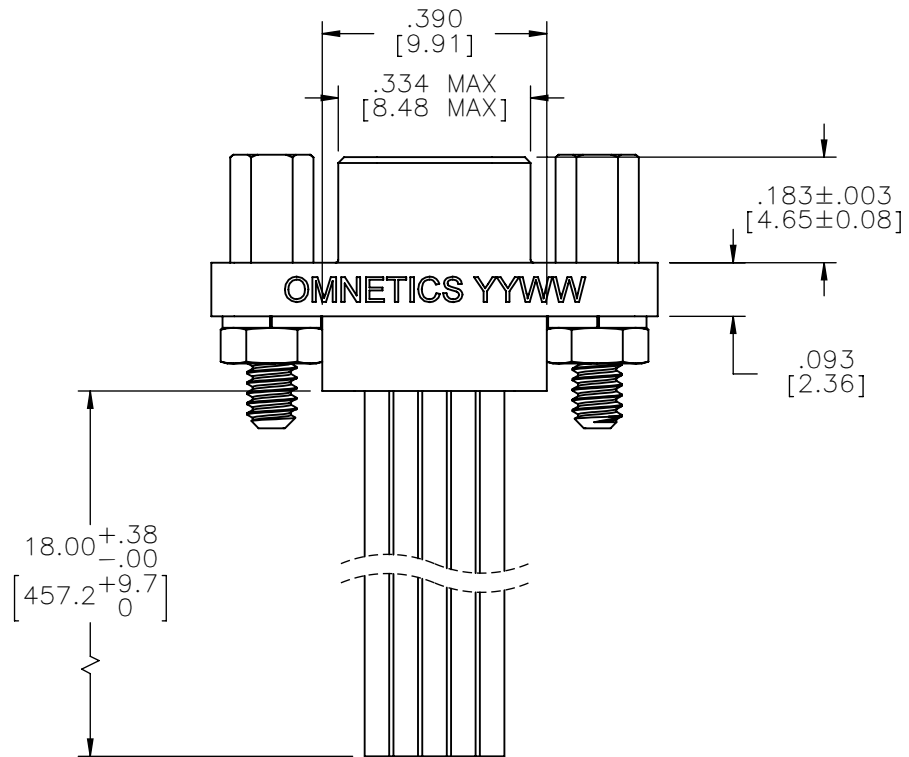
STAINLESS STEEL, PASSIVATED
PER SAE-AMS-2700

INTERNAL USE ONLY
SHEET 2 OF 2 IS MFG
LOADING PROCEDURE

PIN #	COLOR
1	BLACK
2	BROWN
3	RED
4	ORANGE
5	YELLOW
6	GREEN
7	BLUE
8	VIOLET
9	GRAY



ACTUAL SIZE
EXCLUDING WIRE LENGTH



NOTE:

DIMENSIONS IN [] ARE IN
MILLIMETERS UNLESS
OTHERWISE NOTED AND ARE
FOR REFERENCE ONLY

MFG	THIRD ANGLE	THIS DRAWING CONTAINS CONFIDENTIAL AND PROPRIETARY INFORMATION WHICH IS THE PROPERTY OF OMNETICS CONNECTOR CORP. THIS DOCUMENT MAY NOT, IN WHOLE OR IN PART, BE DUPLICATED, OR DISCLOSED FOR ANY PURPOSE, WITHOUT WRITTEN PERMISSION FROM OMNETICS CONNECTOR CORP.
	-TOLERANCES-	
	UNLESS OTHERWISE NOTED	
	DIMENSIONS IN INCHES	
MGT	2 PL DEC±.01	DFTM. MJM DATE 01-30-13
	3 PL DEC±.005	CHK'D. DATE
	4 PL DEC±.0005	APP'D. DATE
	ANGLES ± 1°	

TITLE:
**(9) PIN MALE
MICRO-D CONNECTOR
W/JACKSCREWS**

OMNETICS
CONNECTOR CORPORATION
7260 COMMERCE CIRCLE EAST
MINNEAPOLIS, MN 55432
WWW.OMNETICS.COM

CAGE CODE 61873	
DWG NO. A98003-009	
SHEET 1 OF 2	REV B
SCALE: 3:1	

RoHS