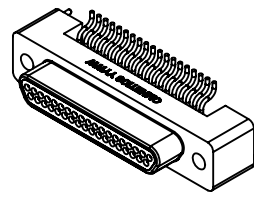
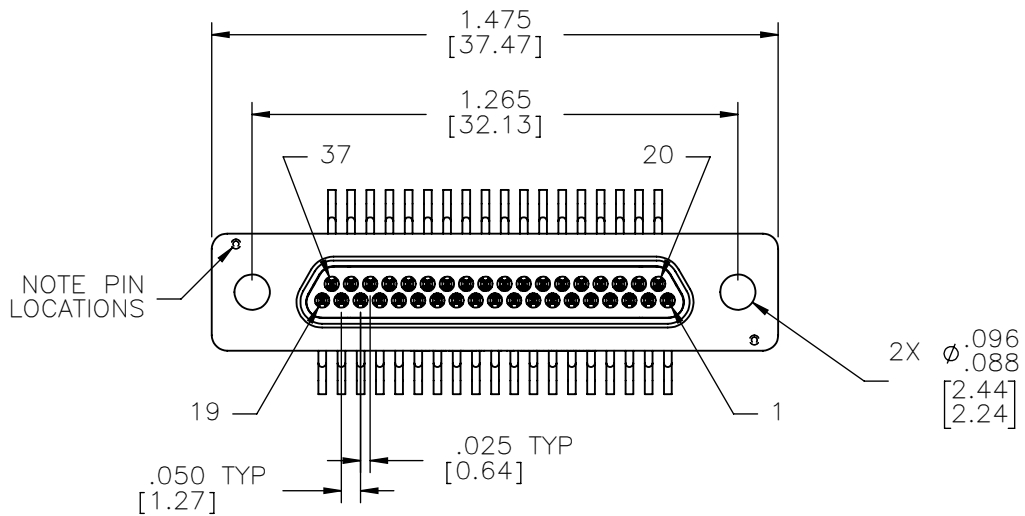
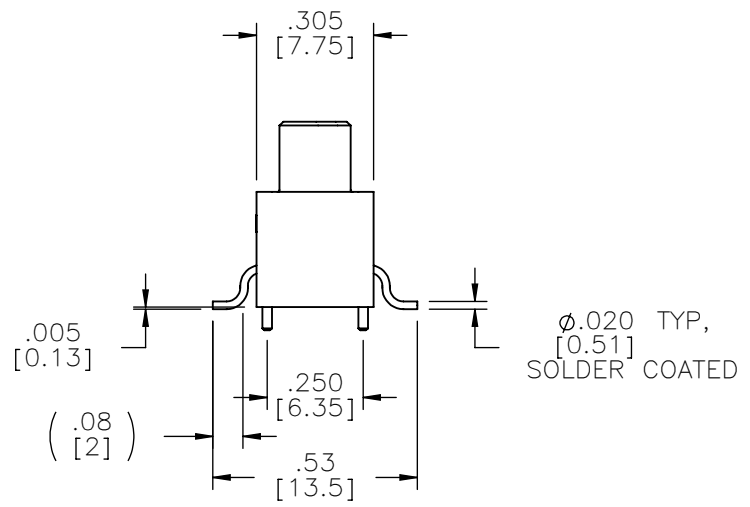
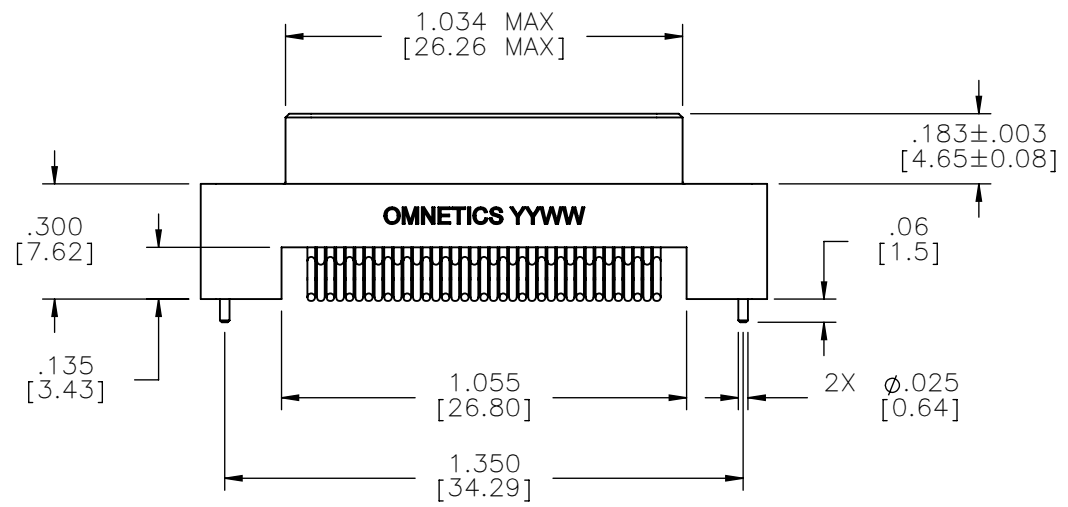


PART NO.	A98002-037	REV	ECO	DATE	APP
		A	101420	03-24-15	TLM



ACTUAL SIZE



NOTE:
DIMENSIONS IN [] ARE IN MILLIMETERS UNLESS OTHERWISE NOTED AND ARE FOR REFERENCE ONLY

MGT'S	CJW	THIRD ANGLE
		-TOLERANCES-
		UNLESS OTHERWISE NOTED
		DIMENSIONS IN INCHES
		2 PL DEC ± .01
		3 PL DEC ± .005
		4 PL DEC ± .0005
		ANGLES ± 1°

THIS DRAWING CONTAINS CONFIDENTIAL AND PROPRIETARY INFORMATION WHICH IS THE PROPERTY OF OMNETICS CONNECTOR CORP. THIS DOCUMENT MAY NOT, IN WHOLE OR IN PART, BE DUPLICATED, OR DISCLOSED FOR ANY PURPOSE, WITHOUT WRITTEN PERMISSION FROM OMNETICS CONNECTOR CORP.	
DFTM. TLM	DATE 03-20-15
CHK'D.	DATE
APP'D.	DATE
TITLE: (37) PIN MALE VERTICAL SURFACE MOUNT MICRO-D	

OMNETICS
CONNECTOR CORPORATION
7260 COMMERCE CIRCLE EAST
MINNEAPOLIS, MN 55432
WWW.OMNETICS.COM

CAGE CODE 61873	
DWG NO. A98002-037	
SHEET 1 OF 2	REV A
SCALE: 2:1	

PART NO.	A98002-037	REV	ECO	DATE	APP
		A	101420	03-24-15	TLM

MATERIALS

HOUSING:

ALUMINUM 6061-T6, NICKEL
PLATE PER SAE-AMS-2404

INSULATOR:

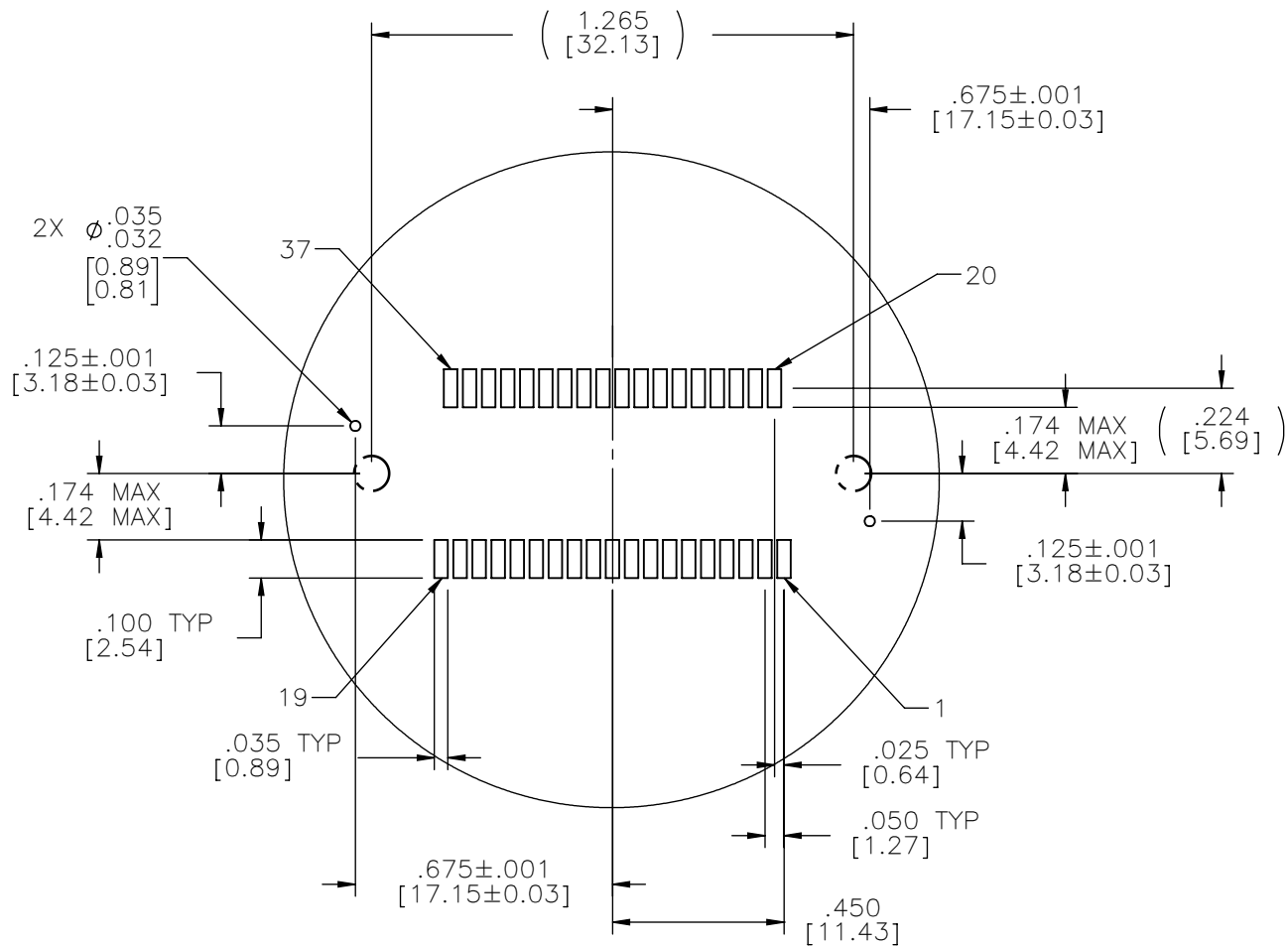
LIQUID CRYSTAL POLYMER (LCP)
PER ASTM D5138

CONTACT:

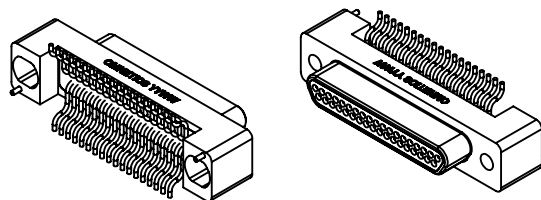
BERYLLIUM COPPER PER ASTM
B194, C17200, GOLD PLATED
PER ASTM B488, (HARD GOLD)
TYPE II CODE C, CLASS 1.27

TERMINATION:

SOLDER COATED WITH SN63A
PER J-STD-006 OR AMS-P-
81728



SUGGESTED BOARD LAYOUT



ACTUAL SIZE

NOTE:

DIMENSIONS IN [] ARE IN
MILLIMETERS UNLESS
OTHERWISE NOTED AND ARE
FOR REFERENCE ONLY

MTC	THIRD ANGLE
	-TOLERANCES-
	UNLESS OTHERWISE NOTED
	DIMENSIONS IN INCHES
2	PL DEC ± .01
3	PL DEC ± .005
4	PL DEC ± .0005
	ANGLES ± 1°

THIS DRAWING CONTAINS CONFIDENTIAL AND PROPRIETARY INFORMATION WHICH IS THE PROPERTY OF OMNETICS CONNECTOR CORP. THIS DOCUMENT MAY NOT, IN WHOLE OR IN PART, BE DUPLICATED, OR DISCLOSED FOR ANY PURPOSE, WITHOUT WRITTEN PERMISSION FROM OMNETICS CONNECTOR CORP.	
DFTM. TLM	DATE 03-20-15
CHK'D.	DATE
APP'D.	DATE

TITLE:
**(37) PIN MALE
VERTICAL SURFACE
MOUNT MICRO-D**

OMNETICS
CONNECTOR CORPORATION
7260 COMMERCE CIRCLE EAST
MINNEAPOLIS, MN 55432
WWW.OMNETICS.COM

CAGE CODE 61873	
DWG NO. A98002-037	
SHEET 2 OF 2	REV A
SCALE: 2:1	