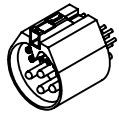
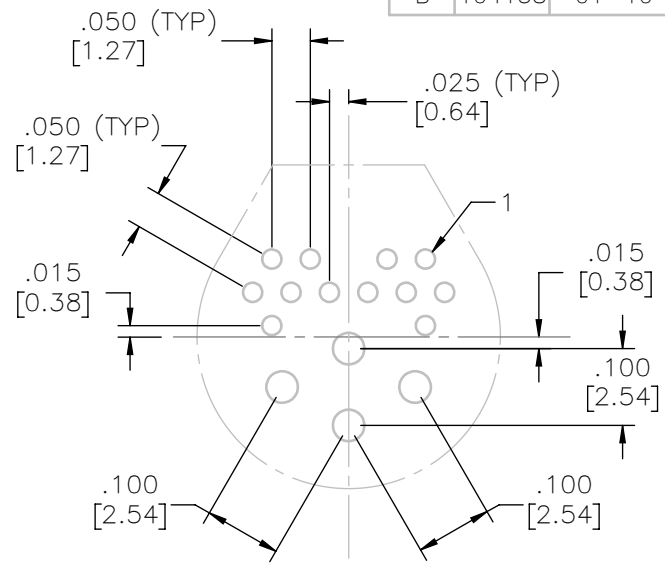


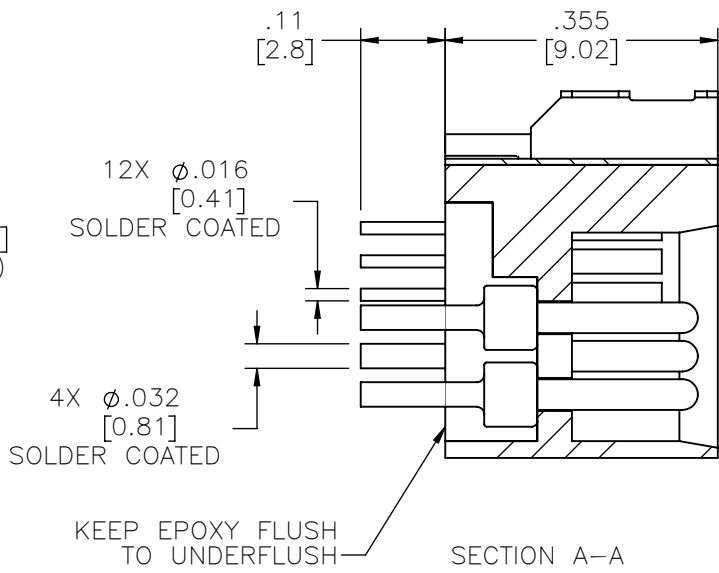
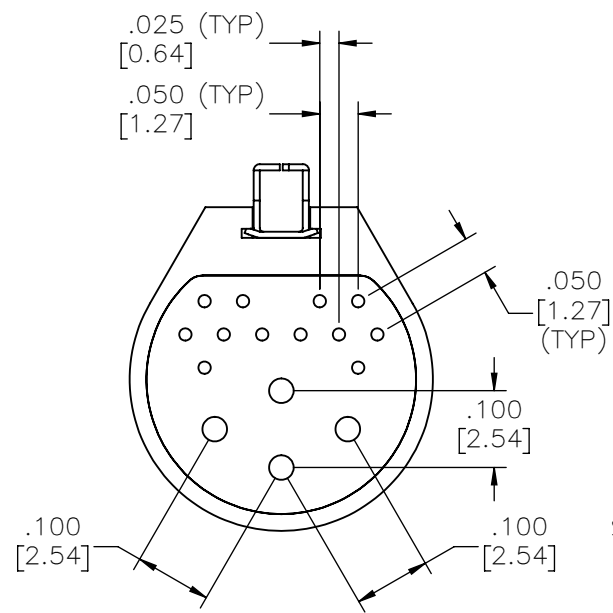
PART NO.	A90182-001	REV	ECO	DATE	APP
		B	104158	01-10-18	HV



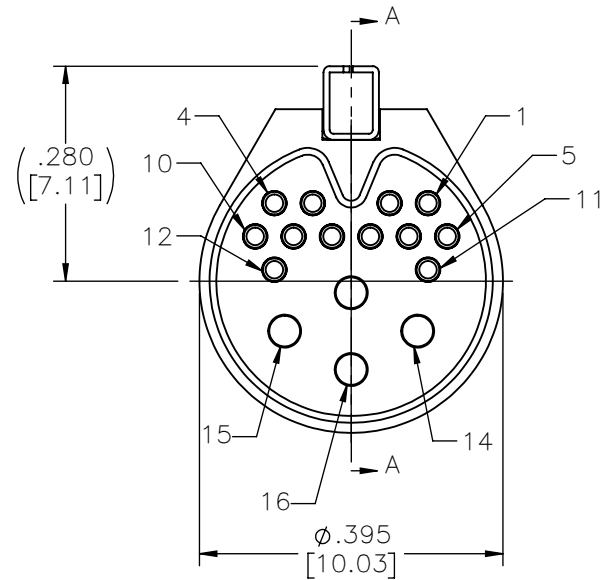
ACTUAL SIZE



SUGGESTED HOLE PATTERN



SECTION A-A



NOTE:
DIMENSIONS IN [] ARE IN MILLIMETERS UNLESS OTHERWISE NOTED AND ARE FOR REFERENCE ONLY

MCS SLDW	THIRD ANGLE
	- TOLERANCES - UNLESS OTHERWISE NOTED DIMENSIONS IN INCHES
	2 PL DEC ± .01
	3 PL DEC ± .005
	4 PL DEC ± .0005
	ANGLES ± 1°

THIS DRAWING CONTAINS CONFIDENTIAL AND PROPRIETARY INFORMATION WHICH IS THE PROPERTY OF OMNETICS CONNECTOR CORP. THIS DOCUMENT MAY NOT, IN WHOLE OR IN PART, BE DUPLICATED, OR DISCLOSED FOR ANY PURPOSE, WITHOUT WRITTEN PERMISSION FROM OMNETICS CONNECTOR CORP.	
DFTM. ACW	DATE 09-16-15
CHK'D.	DATE
APP'D.	DATE
TITLE: (4-12) CONTACT POWER/SIGNAL PLASTIC CIRCULAR CONNECTOR	

OMNETICS
CONNECTOR CORPORATION
7260 COMMERCE CIRCLE EAST
MINNEAPOLIS, MN 55432
WWW.OMNETICS.COM

CAGE CODE 61873
DWG NO. A90182-001
SHEET 1 OF 3
SCALE: 4:1
REV B

PART NO.	A90182-001	REV	ECO	DATE	APP
		B	104158	01-10-18	HV

MATERIALS & SPECIFICATIONS

INSULATOR
POLYETHERIMIDE

CONTACT MATERIAL
SIGNAL - COPPER ALLOY PER MIL-DTL-83513

POWER - COPPER ALLOY PER SAE-AS39029

CONTACT FINISH
SIGNAL - GOLD PLATE PER ASTM B488, TYPE II, CLASS 1.27, CODE C OVER NICKEL UNDERPLATE

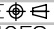

POWER - GOLD PLATE PER ASTM B488, TYPE II, CLASS 1.27, CODE C OVER NICKEL UNDERPLATE

LATCH MATERIAL
BERYLLIUM COPPER PER ASTM B194

LATCH FINISH
ELECTROLESS NICKEL PER SAE-AMS-2404

TERMINATION
SIGNAL - SOLDER COATED WITH SN63A PER J-STD-006

POWER - SOLDER COATED WITH SN63A PER J-STD-006

MCS	THIRD ANGLE 	THIS DRAWING CONTAINS CONFIDENTIAL AND PROPRIETARY INFORMATION WHICH IS THE PROPERTY OF OMNETICS CONNECTOR CORP. THIS DOCUMENT MAY NOT, IN WHOLE OR IN PART, BE DUPLICATED, OR DISCLOSED FOR ANY PURPOSE, WITHOUT WRITTEN PERMISSION FROM OMNETICS CONNECTOR CORP.		 CONNECTOR CORPORATION 7260 COMMERCE CIRCLE EAST MINNEAPOLIS, MN 55432 WWW.OMNETICS.COM	CAGE CODE 61873	
	SLDW	-TOLERANCES- UNLESS OTHERWISE NOTED DIMENSIONS IN INCHES 2 PL DEC ± .01 3 PL DEC ± .005 4 PL DEC ± .0005 ANGLES ± 1°	DFTM. ACW DATE 09-16-15 CHK'D. DATE APP'D. DATE		TITLE: (4-12) CONTACT POWER/SIGNAL PLASTIC CIRCULAR CONNECTOR	DWG NO. A90182-001 SHEET 2 OF 3 SCALE: 6:1

PART NO.	A90182-001	REV	ECO	DATE	APP
		B	104158	01-10-18	HV

PRODUCT FAMILY TESTED TO AND PASSED THE FOLLOWING PERFORMANCE SPECIFICATIONS

CURRENT RATING:	3 AMPS MAX (SIGNAL CONTACTS)
	10 AMPS MAX (POWER CONTACTS)
DIELECTRIC WITHSTANDING VOLTAGE:	600 VAC RMS (SIGNAL CONTACTS)
	1000 VAC RMS (POWER CONTACTS)
INSULATION RESISTANCE:	5000 MEGAOHMS MIN @ 500 VDC
CONTACT RESISTANCE:	26 MILLIOHMS (65 mV) MAX @ 2.5 AMPS (SIGNAL CONTACTS)
	7 MILLIOHMS (55 mV) MAX @ 7.5 AMPS (POWER CONTACTS)
CONTACT ENGAGEMENT & SEPARATION FORCES:	6 OZ MAX/CONTACT (ENGAGEMENT SIGNAL)
	.5 OZ MIN/CONTACT (SEPARATION SIGNAL)
	18 OZ MAX/CONTACT (ENGAGEMENT POWER)
	.7 OZ MIN/CONTACT (SEPARATION POWER)
TEMPERATURE CYCLING:	-55°C TO +125°C, 5 CYCLES
VIBRATION*:	EIA-364-28, TEST CONDITION IV, 20 g's
MECHANICAL SHOCK*:	EIA-364-27, TEST CONDITION D, 300 g's
DURABILITY:	500 CYCLES

*PENDING COMPLETION OF TESTING

MCS	THIRD ANGLE	THIS DRAWING CONTAINS CONFIDENTIAL AND PROPRIETARY INFORMATION WHICH IS THE PROPERTY OF OMNETICS CONNECTOR CORP. THIS DOCUMENT MAY NOT, IN WHOLE OR IN PART, BE DUPLICATED, OR DISCLOSED FOR ANY PURPOSE, WITHOUT WRITTEN PERMISSION FROM OMNETICS CONNECTOR CORP.	OMNETICS	CAGE CODE 61873	
	—TOLERANCES— UNLESS OTHERWISE NOTED DIMENSIONS IN INCHES			DWG NO. A90182-001	
SLDW	2 PL DEC ± .01	DFTM. ACW DATE 09-16-15	CONNECTOR CORPORATION 7260 COMMERCE CIRCLE EAST MINNEAPOLIS, MN 55432 WWW.OMNETICS.COM	SHEET 3 OF 3	
	3 PL DEC ± .005	CHK'D.		REV B	
	4 PL DEC ± .0005 ANGLES ± 1°	APP'D.		SCALE: 4:1	

TITLE:
(4-12) CONTACT
POWER/SIGNAL PLASTIC
CIRCULAR CONNECTOR