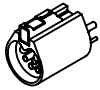
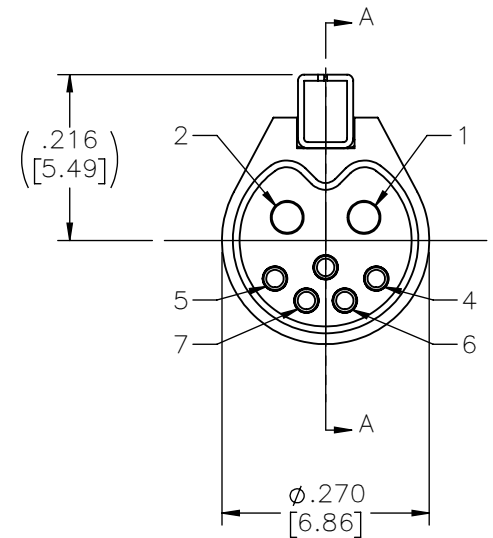
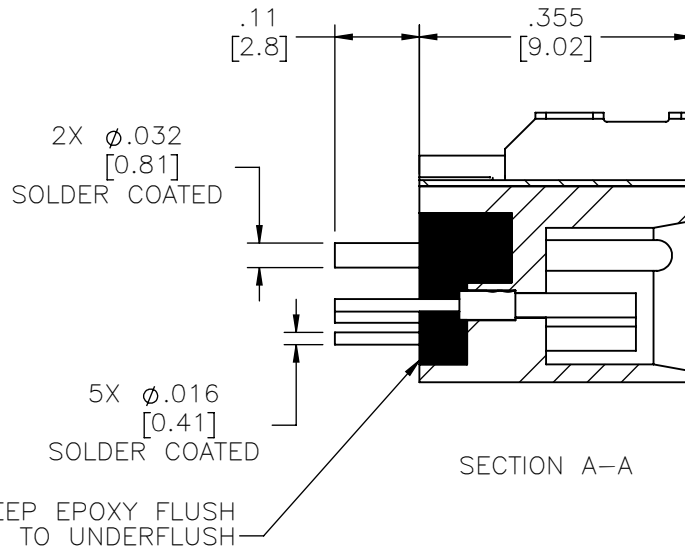
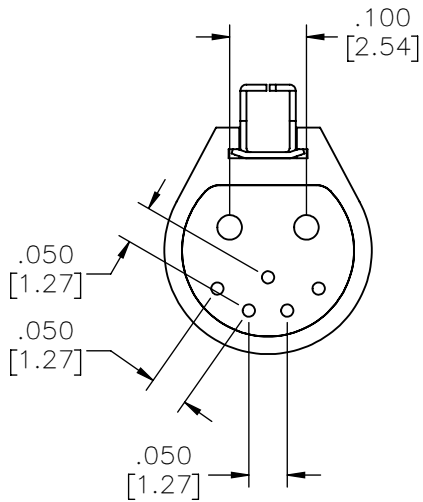
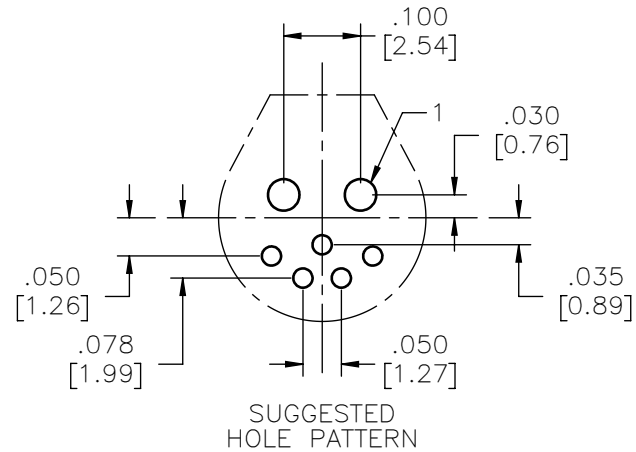


| | | | | | |
|----------|------------|-----|--------|----------|-----|
| PART NO. | A90180-001 | REV | ECO | DATE | APP |
| | | A | 102216 | 12-29-15 | TLM |



ACTUAL SIZE



NOTE:

DIMENSIONS IN [] ARE IN MILLIMETERS UNLESS OTHERWISE NOTED AND ARE FOR REFERENCE ONLY

| | |
|------|------------------------|
| MCS | THIRD ANGLE |
| | -TOLERANCES- |
| | UNLESS OTHERWISE NOTED |
| | DIMENSIONS IN INCHES |
| SLDW | 2 PL DEC ± .01 |
| | 3 PL DEC ± .005 |
| | 4 PL DEC ± .0005 |
| | ANGLES ± 1° |

| | |
|--|---------------|
| THIS DRAWING CONTAINS CONFIDENTIAL AND PROPRIETARY INFORMATION WHICH IS THE PROPERTY OF OMNETICS CONNECTOR CORP. THIS DOCUMENT MAY NOT, IN WHOLE OR IN PART, BE DUPLICATED, OR DISCLOSED FOR ANY PURPOSE, WITHOUT WRITTEN PERMISSION FROM OMNETICS CONNECTOR CORP. | |
| DFTM. ACW | DATE 09-16-15 |
| CHK'D. | DATE |
| APP'D. | DATE |
| TITLE: (2-5) CONTACT POWER/SIGNAL PLASTIC CIRCULAR CONNECTOR | |

OMNETICS
CONNECTOR CORPORATION
7260 COMMERCE CIRCLE EAST
MINNEAPOLIS, MN 55432
WWW.OMNETICS.COM

| | |
|-----------------|--------------------|
| CAGE CODE 61873 | DWG NO. A90180-001 |
| SHEET 1 OF 3 | REV A |
| SCALE: 4:1 | |