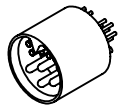
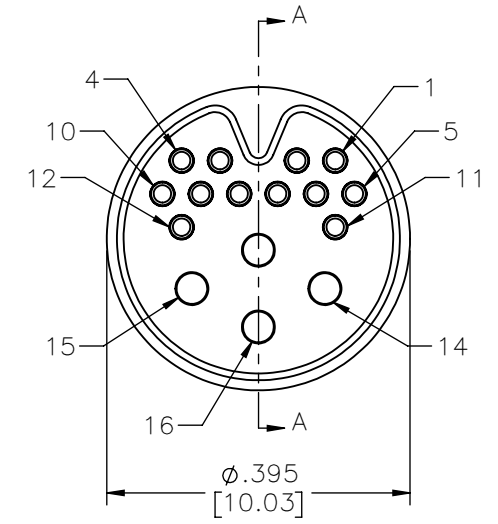
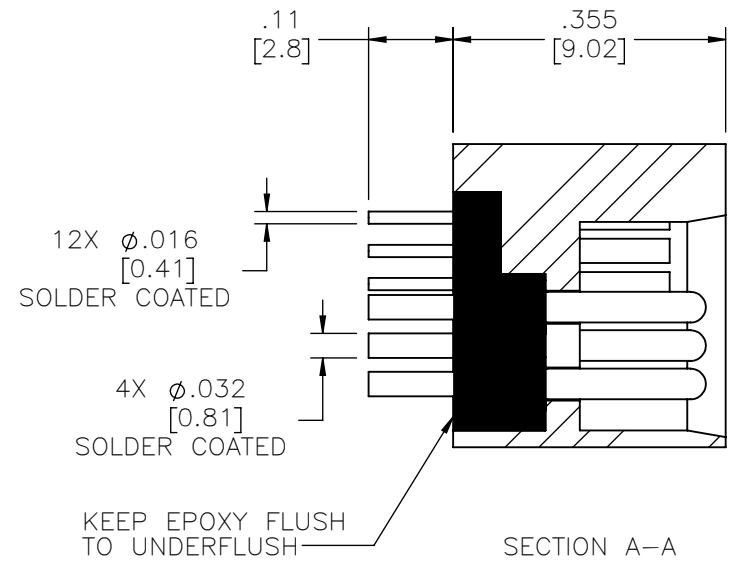
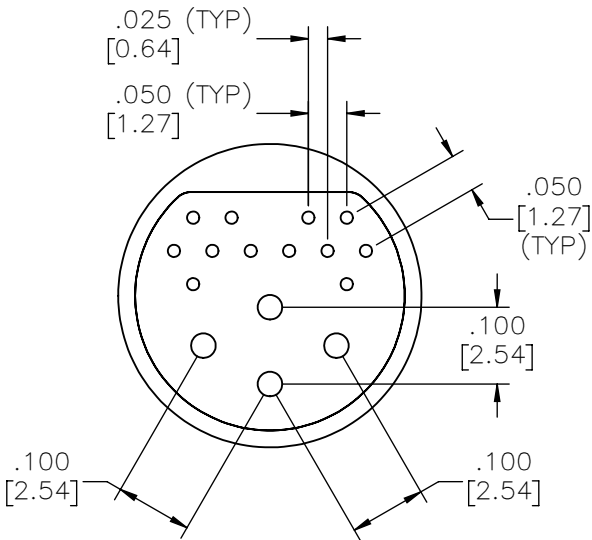
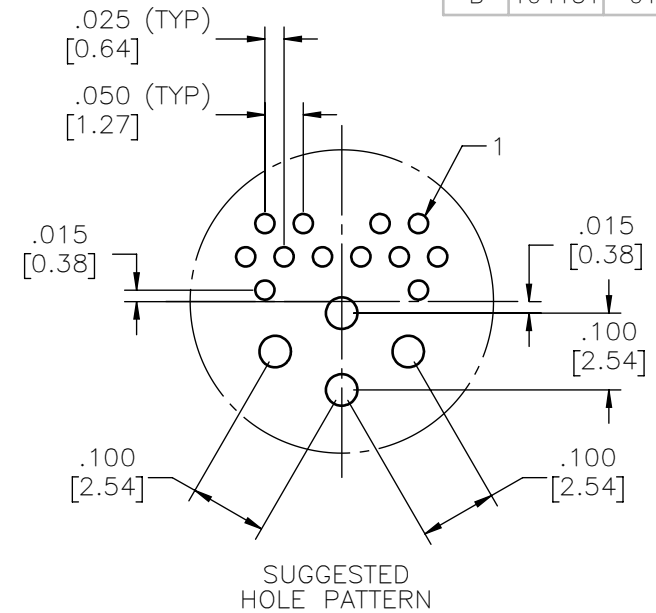


PART NO.	A90178-001	REV	ECO	DATE	APP
		B	104151	01-09-18	HV



ACTUAL SIZE



NOTE:  
DIMENSIONS IN [ ] ARE IN MILLIMETERS UNLESS OTHERWISE NOTED AND ARE FOR REFERENCE ONLY

MCS SLDW	THIRD ANGLE
	-TOLERANCES-
	UNLESS OTHERWISE NOTED
	DIMENSIONS IN INCHES
2	PL DEC ± .01
3	PL DEC ± .005
4	PL DEC ± .0005
	ANGLES ± 1°

THIS DRAWING CONTAINS CONFIDENTIAL AND PROPRIETARY INFORMATION WHICH IS THE PROPERTY OF OMNETICS CONNECTOR CORP. THIS DOCUMENT MAY NOT, IN WHOLE OR IN PART, BE DUPLICATED, OR DISCLOSED FOR ANY PURPOSE, WITHOUT WRITTEN PERMISSION FROM OMNETICS CONNECTOR CORP.	
DFTM. ACW	DATE 09-16-15
CHK'D.	DATE
APP'D.	DATE
TITLE: (4-12) CONTACT POWER/SIGNAL PLASTIC CIRCULAR CONNECTOR	

**OMNETICS**  
CONNECTOR CORPORATION  
7260 COMMERCE CIRCLE EAST  
MINNEAPOLIS, MN 55432  
WWW.OMNETICS.COM

CAGE CODE 61873
DWG NO. A90178-001
SHEET 1 OF 3
SCALE: 4:1
REV B

PART NO.	A90178-001	REV	ECO	DATE	APP
		B	104151	01-09-18	HV

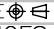
MATERIALS & SPECIFICATIONS

INSULATOR  
POLYETHERIMIDE

CONTACT MATERIAL  
SIGNAL - COPPER ALLOY PER MIL-DTL-83513  
POWER - COPPER ALLOY PER SAE-AS39029

CONTACT FINISH  
SIGNAL - GOLD PLATE PER ASTM B488, TYPE II, CLASS 1.27, CODE C OVER NICKEL UNDERPLATE  
POWER - GOLD PLATE PER ASTM B488, TYPE II, CLASS 1.27, CODE C OVER NICKEL UNDERPLATE

TERMINATION  
SIGNAL - SOLDER COATED WITH SN63A PER J-STD-006  
POWER - SOLDER COATED WITH SN63A PER J-STD-006

MCS	THIRD ANGLE 	THIS DRAWING CONTAINS CONFIDENTIAL AND PROPRIETARY INFORMATION WHICH IS THE PROPERTY OF OMNETICS CONNECTOR CORP. THIS DOCUMENT MAY NOT, IN WHOLE OR IN PART, BE DUPLICATED, OR DISCLOSED FOR ANY PURPOSE, WITHOUT WRITTEN PERMISSION FROM OMNETICS CONNECTOR CORP.	DATE 09-16-15	TITLE: (4-12) CONTACT POWER/SIGNAL PLASTIC CIRCULAR CONNECTOR	CAGE CODE <b>61873</b>
	-TOLERANCES- UNLESS OTHERWISE NOTED DIMENSIONS IN INCHES				
SLDW	2 PL DEC ± .01	DFTM. ACW	DATE	CONNECTOR CORPORATION 7260 COMMERCE CIRCLE EAST MINNEAPOLIS, MN 55432 WWW.OMNETICS.COM	SHEET 2 OF 3
	3 PL DEC ± .005	CHK'D.	DATE		
	4 PL DEC ± .0005	APP'D.	DATE		SCALE: 6:1
	ANGLES ± 1°				

PART NO.	A90178-001	REV	ECO	DATE	APP
		B	104151	01-09-18	HV

PRODUCT FAMILY TESTED TO AND PASSED THE FOLLOWING PERFORMANCE SPECIFICATIONS

CURRENT RATING:	3 AMPS MAX (SIGNAL CONTACTS) 10 AMPS MAX (POWER CONTACTS)
DIELECTRIC WITHSTANDING VOLTAGE:	600 VAC RMS (SIGNAL CONTACTS) 1000 VAC RMS (POWER CONTACTS)
INSULATION RESISTANCE:	5000 MEGAOHMS MIN @ 500 VDC
CONTACT RESISTANCE:	26 MILLIOHMS (65 mV) MAX @ 2.5 AMPS (SIGNAL CONTACTS) 7 MILLIOHMS (55 mV) MAX @ 7.5 AMPS (POWER CONTACTS)
CONTACT ENGAGEMENT & SEPARATION FORCES:	6 OZ MAX/CONTACT (ENGAGEMENT SIGNAL) .5 OZ MIN/CONTACT (SEPARATION SIGNAL) 18 OZ MAX/CONTACT (ENGAGEMENT POWER) .7 OZ MIN/CONTACT (SEPARATION POWER)
TEMPERATURE CYCLING:	-55°C TO +125°C, 5 CYCLES
VIBRATION*:	EIA-364-28, TEST CONDITION IV, 20 g's
MECHANICAL SHOCK*:	EIA-364-27, TEST CONDITION D, 300 g's
DURABILITY:	500 CYCLES

\*PENDING COMPLETION OF TESTING

MCS	THIRD ANGLE	THIS DRAWING CONTAINS CONFIDENTIAL AND PROPRIETARY INFORMATION WHICH IS THE PROPERTY OF OMNETICS CONNECTOR CORP. THIS DOCUMENT MAY NOT, IN WHOLE OR IN PART, BE DUPLICATED, OR DISCLOSED FOR ANY PURPOSE, WITHOUT WRITTEN PERMISSION FROM OMNETICS CONNECTOR CORP.	<b>OMNETICS</b> CONNECTOR CORPORATION 7260 COMMERCE CIRCLE EAST MINNEAPOLIS, MN 55432 WWW.OMNETICS.COM	CAGE CODE <b>61873</b>	
	—TOLERANCES— UNLESS OTHERWISE NOTED DIMENSIONS IN INCHES			DFTM. ACW DATE 09-16-15	TITLE: (4-12) CONTACT POWER/SIGNAL PLASTIC CIRCULAR CONNECTOR
SLDW	2 PL DEC ± .01	CHK'D.		SCALE: 4:1	
	3 PL DEC ± .005	APP'D.		DATE	
	4 PL DEC ± .0005				
	ANGLES ± 1°				