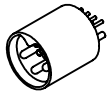
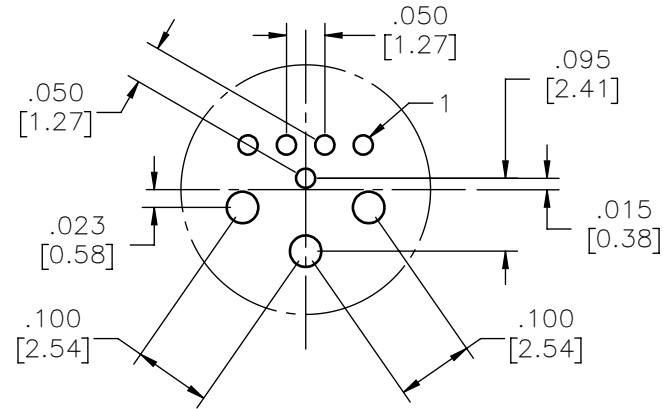


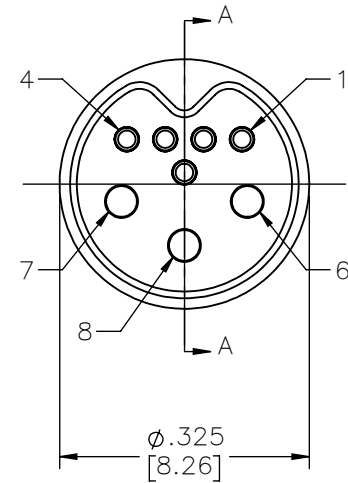
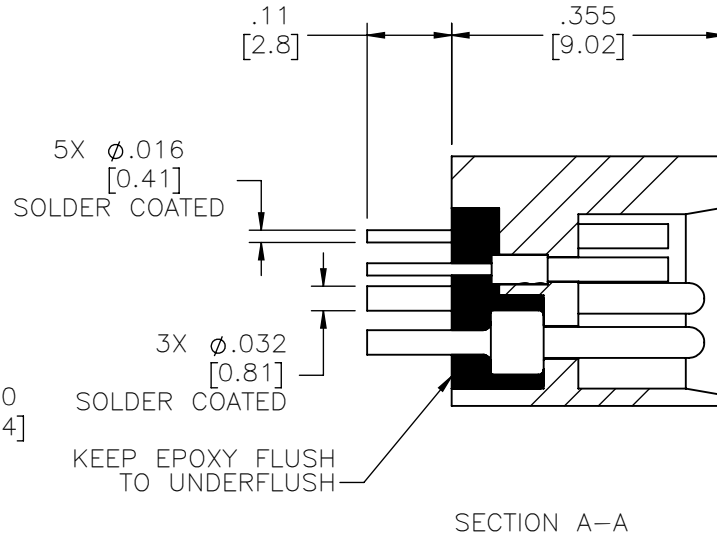
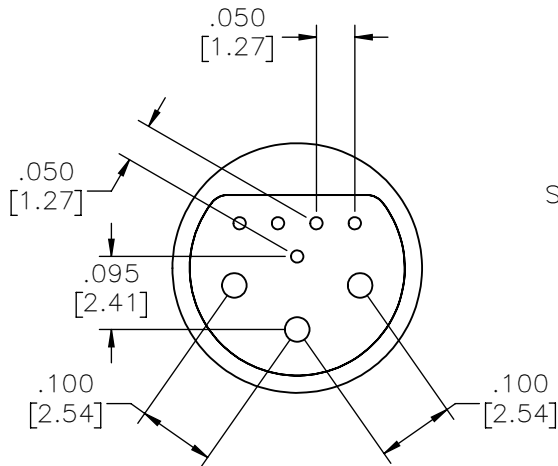
PART NO.	A90177-001	REV	ECO	DATE	APP
		A	102216	12-29-15	TLM



ACTUAL SIZE



SUGGESTED HOLE PATTERN



NOTE:

DIMENSIONS IN [ ] ARE IN MILLIMETERS UNLESS OTHERWISE NOTED AND ARE FOR REFERENCE ONLY

MCS SLDW	THIRD ANGLE
	-TOLERANCES-
	UNLESS OTHERWISE NOTED
	DIMENSIONS IN INCHES
2	PL DEC $\pm .01$
3	PL DEC $\pm .005$
4	PL DEC $\pm .0005$
	ANGLES $\pm 1^\circ$

THIS DRAWING CONTAINS CONFIDENTIAL AND PROPRIETARY INFORMATION WHICH IS THE PROPERTY OF OMNETICS CONNECTOR CORP. THIS DOCUMENT MAY NOT, IN WHOLE OR IN PART, BE DUPLICATED, OR DISCLOSED FOR ANY PURPOSE, WITHOUT WRITTEN PERMISSION FROM OMNETICS CONNECTOR CORP.

DFTM.	ACW	DATE	09-15-15
CHK'D.		DATE	
APP'D.		DATE	

TITLE:  
**(3-5) CONTACT  
POWER/SIGNAL PLASTIC  
CIRCULAR CONNECTOR**

**OMNETICS**  
CONNECTOR CORPORATION  
7260 COMMERCE CIRCLE EAST  
MINNEAPOLIS, MN 55432  
WWW.OMNETICS.COM

CAGE CODE	<b>61873</b>
DWG NO.	<b>A90177-001</b>
SHEET 1 OF 3	REV A
SCALE:	4:1