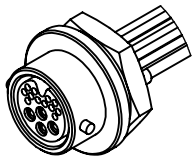
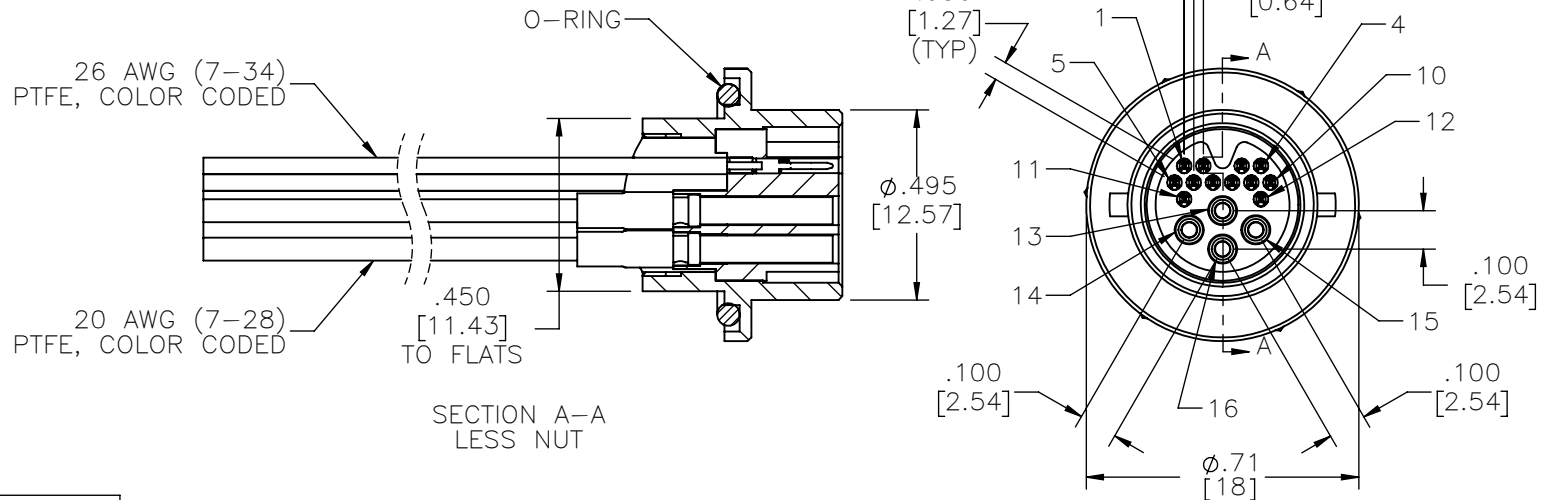


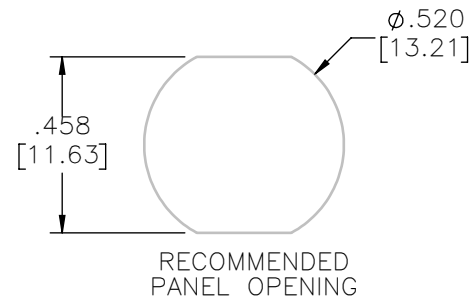
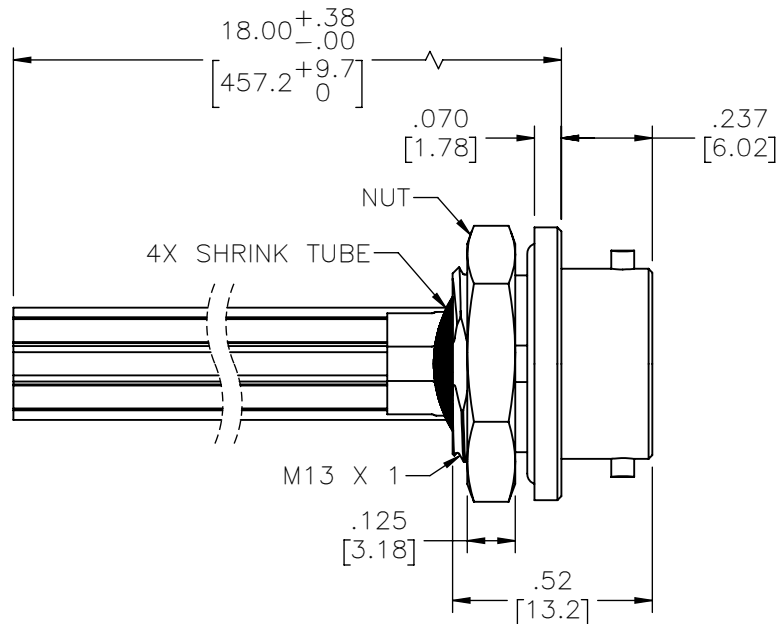
PART NO.	A90169-001	REV	ECO	DATE	APP
		B	104157	01-10-18	HV



ACTUAL SIZE
EXCLUDING WIRE LENGTH



CONTACT #	COLOR	AWG
1	BLACK	26 AWG
2	BROWN	
3	RED	
4	ORANGE	
5	YELLOW	
6	GREEN	
7	BLUE	
8	VIOLET	
9	GRAY	
10	WHITE	20 AWG
11	BLACK	
12	BROWN	
13	BLACK	
14	BROWN	
15	RED	
16	ORANGE	



INTERNAL USE ONLY
SHEET 4 OF 4 IS
MANUFACTURING
LOADING DIAGRAM

NOTE:

DIMENSIONS IN [] ARE IN MILLIMETERS UNLESS OTHERWISE NOTED AND ARE FOR REFERENCE ONLY

TMCP SLDW	THIRD ANGLE
	- TOLERANCES - UNLESS OTHERWISE NOTED DIMENSIONS IN INCHES
	2 PL DEC ± .01
	3 PL DEC ± .005
	4 PL DEC ± .0005
	ANGLES ± 1°

THIS DRAWING CONTAINS CONFIDENTIAL AND PROPRIETARY INFORMATION WHICH IS THE PROPERTY OF OMNETICS CONNECTOR CORP. THIS DOCUMENT MAY NOT, IN WHOLE OR IN PART, BE DUPLICATED, OR DISCLOSED FOR ANY PURPOSE, WITHOUT WRITTEN PERMISSION FROM OMNETICS CONNECTOR CORP.	
DFTM. ACW	DATE 04-24-15
CHK'D.	DATE
APP'D.	DATE
TITLE: (4-12) PIN MALE TWIST LOCK CONNECTOR W/METAL PANEL MOUNT	

OMNETICS
CONNECTOR CORPORATION
7260 COMMERCE CIRCLE EAST
MINNEAPOLIS, MN 55432
WWW.OMNETICS.COM

CAGE CODE 61873
DWG NO. A90169-001
SHEET 1 OF 4
SCALE: 2:1
REV B

PART NO.	A90169-001	REV	ECO	DATE	APP
		B	104157	01-10-18	HV

MATERIALS & SPECIFICATIONS

INSULATOR
POLYETHERIMIDE

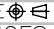
CONTACT MATERIAL
SIGNAL - COPPER ALLOY PER MIL-DTL-83513
POWER - COPPER ALLOY PER SAE-AS39029

CONTACT FINISH
SIGNAL - GOLD PLATE PER ASTM B488, TYPE II, CLASS 1.27, CODE C OVER NICKEL UNDERPLATE
POWER - GOLD PLATE PER ASTM B488, TYPE II, CLASS 1.27, CODE C OVER NICKEL UNDERPLATE

TERMINATION
SIGNAL - 26 AWG, (7-34) SILVER COATED COPPER, PTFE, COLOR CODED
POWER - 20 AWG, (7-28) SILVER COATED COPPER, PTFE, COLOR CODED

SHELLS
BRASS ALLOY 360

SHELL FINISH
ELECTROLESS NICKEL (200 MICROINCHES MINIMUM) PER SAE-AMS-2404

TMCP	THIRD ANGLE 	THIS DRAWING CONTAINS CONFIDENTIAL AND PROPRIETARY INFORMATION WHICH IS THE PROPERTY OF OMNETICS CONNECTOR CORP. THIS DOCUMENT MAY NOT, IN WHOLE OR IN PART, BE DUPLICATED, OR DISCLOSED FOR ANY PURPOSE, WITHOUT WRITTEN PERMISSION FROM OMNETICS CONNECTOR CORP.	DATE 04-24-15	TITLE: (4-12) PIN MALE TWIST LOCK CONNECTOR W/METAL PANEL MOUNT	CAGE CODE 61873	DWG NO. A90169-001
	-TOLERANCES-					
SLDW	UNLESS OTHERWISE NOTED DIMENSIONS IN INCHES	DFTM. ACW	DATE		SHEET 2 OF 4	REV
	2 PL DEC ± .01 3 PL DEC ± .005 4 PL DEC ± .0005 ANGLES ± 1°	CHK'D.	DATE		SCALE: 6:1	B
		APP'D.	DATE			

OMNETICS
CONNECTOR CORPORATION
7260 COMMERCE CIRCLE EAST
MINNEAPOLIS, MN 55432
WWW.OMNETICS.COM

PART NO.	A90169-001	REV	ECO	DATE	APP
		B	104157	01-10-18	HV

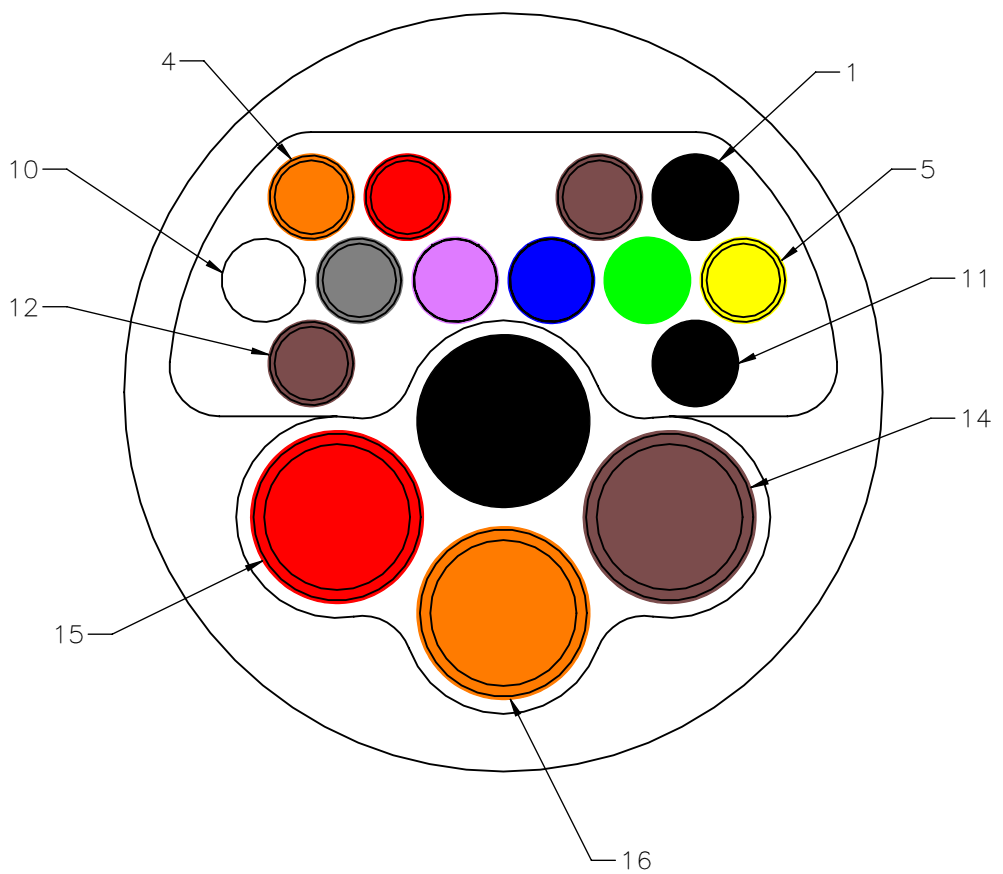
PRODUCT FAMILY TESTED TO AND PASSED THE FOLLOWING PERFORMANCE SPECIFICATIONS

CURRENT RATING:	3 AMPS MAX (SIGNAL CONTACTS)
	10 AMPS MAX (POWER CONTACTS)
DIELECTRIC WITHSTANDING VOLTAGE:	600 VAC RMS (SIGNAL CONTACTS)
	1000 VAC RMS (POWER CONTACTS)
INSULATION RESISTANCE:	5000 MEGAOHMS MIN @ 500 VDC
CONTACT RESISTANCE:	26 MILLIOHMS (65 mV) MAX @ 2.5 AMPS (SIGNAL CONTACTS)
	7 MILLIOHMS (55 mV) MAX @ 7.5 AMPS (POWER CONTACTS)
CONTACT ENGAGEMENT & SEPARATION FORCES:	6 OZ MAX/CONTACT (ENGAGEMENT SIGNAL)
	.5 OZ MIN/CONTACT (SEPARATION SIGNAL)
	18 OZ MAX/CONTACT (ENGAGEMENT POWER)
	.7 OZ MIN/CONTACT (SEPARATION POWER)
TEMPERATURE CYCLING:	-55°C TO +125°C, 5 CYCLES
VIBRATION*:	EIA-364-28, TEST CONDITION IV, 20 g's
MECHANICAL SHOCK*:	EIA-364-27, TEST CONDITION D, 300 g's
DURABILITY:	500 CYCLES

*PENDING COMPLETION OF TESTING

TMCP	THIRD ANGLE	THIS DRAWING CONTAINS CONFIDENTIAL AND PROPRIETARY INFORMATION WHICH IS THE PROPERTY OF OMNETICS CONNECTOR CORP. THIS DOCUMENT MAY NOT, IN WHOLE OR IN PART, BE DUPLICATED, OR DISCLOSED FOR ANY PURPOSE, WITHOUT WRITTEN PERMISSION FROM OMNETICS CONNECTOR CORP.	OMNETICS	CAGE CODE 61873	
	-TOLERANCES-			DWG NO. A90169-001	
	UNLESS OTHERWISE NOTED		CONNECTOR CORPORATION	SHEET 3 OF 4	
	DIMENSIONS IN INCHES			SCALE: 2:1	
	2 PL DEC ± .01	DFTM. ACW	7260 COMMERCE CIRCLE EAST MINNEAPOLIS, MN 55432 WWW.OMNETICS.COM	REV	
	3 PL DEC ± .005	DATE 04-24-15		B	
	4 PL DEC ± .0005	DATE			
SLDW	ANGLES ± 1°	CHK'D.	(4-12) PIN MALE		
		APP'D.	TWIST LOCK CONNECTOR		
			W/METAL PANEL MOUNT		

PART NO.	A90169-001	REV	ECO	DATE	APP
		B	104157	01-10-18	HV



CONTACT #	COLOR	AWG
1	BLACK	26 AWG
2	BROWN	
3	RED	
4	ORANGE	
5	YELLOW	
6	GREEN	
7	BLUE	
8	VIOLET	
9	GRAY	
10	WHITE	
11	BLACK	
12	BROWN	20 AWG
13	BLACK	
14	BROWN	
15	RED	
16	ORANGE	

TMCP	THIRD ANGLE
	-TOLERANCES-
SLDW	UNLESS OTHERWISE NOTED
	DIMENSIONS IN INCHES
	2 PL DEC ± .01
	3 PL DEC ± .005
	4 PL DEC ± .0005
	ANGLES ± 1°

THIS DRAWING CONTAINS CONFIDENTIAL AND PROPRIETARY INFORMATION WHICH IS THE PROPERTY OF OMNETICS CONNECTOR CORP. THIS DOCUMENT MAY NOT, IN WHOLE OR IN PART, BE DUPLICATED, OR DISCLOSED FOR ANY PURPOSE, WITHOUT WRITTEN PERMISSION FROM OMNETICS CONNECTOR CORP.

DFTM. ACW DATE 04-24-15
 CHK'D. DATE
 APP'D. DATE

TITLE:
 (4-12) PIN MALE
 TWIST LOCK CONNECTOR
 W/METAL PANEL MOUNT

OMNETICS
 CONNECTOR CORPORATION
 7260 COMMERCE CIRCLE EAST
 MINNEAPOLIS, MN 55432
 WWW.OMNETICS.COM

CAGE CODE 61873	REV
DWG NO. A90169-001	B
SHEET 4 OF 4	SCALE: 1:1