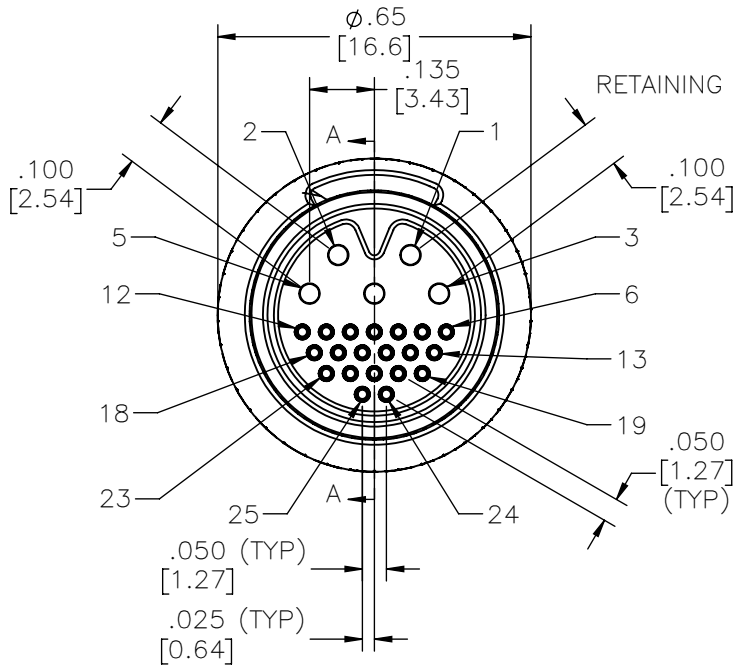
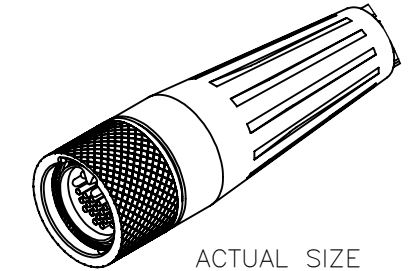
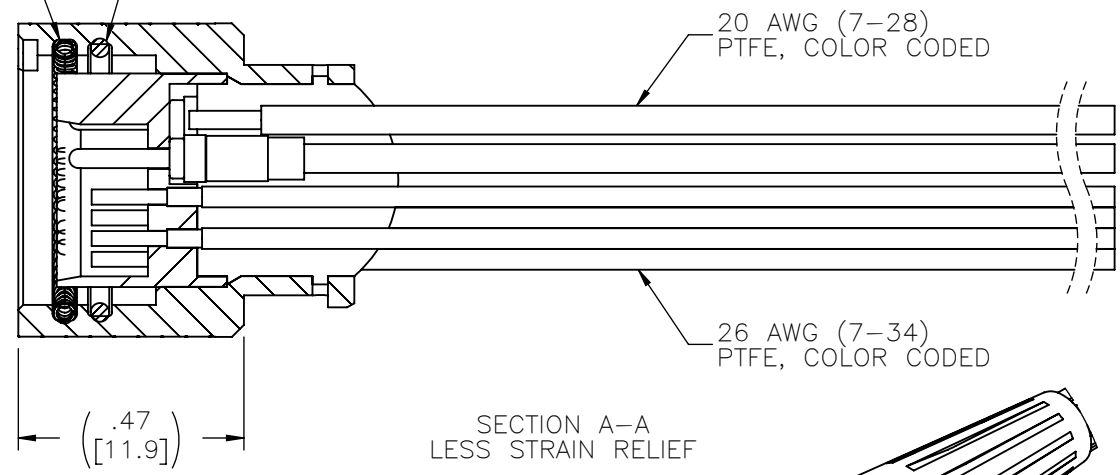


PART NO.	A90155-001	REV	ECO	DATE	APP
		B	104157	01-10-18	HV



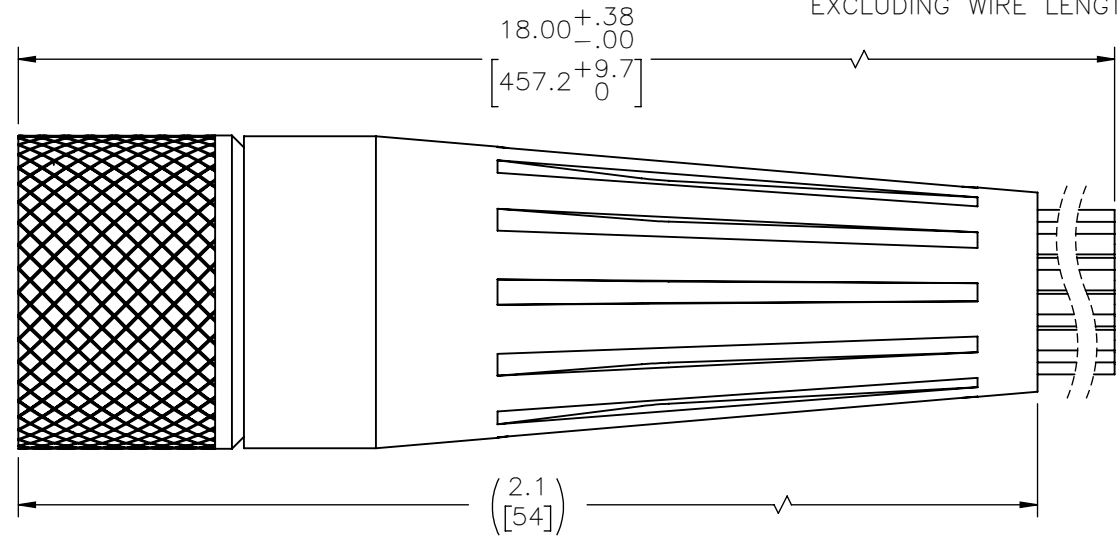
RETAINING SPRING O-RING



ACTUAL SIZE EXCLUDING WIRE LENGTH

CONTACT #	COLOR	AWG
1	BLACK	20 AWG
2	BROWN	
3	RED	
4	ORANGE	
5	YELLOW	
6	BLACK	26 AWG
7	BROWN	
8	RED	
9	ORANGE	
10	YELLOW	
11	GREEN	
12	BLUE	
13	VIOLET	
14	GRAY	
15	WHITE	
16	BLACK	
17	BROWN	
18	RED	
19	ORANGE	
20	YELLOW	
21	GREEN	
22	BLUE	
23	VIOLET	
24	GRAY	
25	WHITE	

INTERNAL USE ONLY  
SHEET 4 OF 4 IS  
MANUFACTURING  
LOADING DIAGRAM



NOTE:  
DIMENSIONS IN [ ] ARE IN MILLIMETERS UNLESS OTHERWISE NOTED AND ARE FOR REFERENCE ONLY

BAMS SLDW	THIRD ANGLE
	-TOLERANCES-
	UNLESS OTHERWISE NOTED
	DIMENSIONS IN INCHES
	2 PL DEC ± .01
3 PL DEC ± .005	
4 PL DEC ± .0005	
ANGLES ± 1°	

THIS DRAWING CONTAINS CONFIDENTIAL AND PROPRIETARY INFORMATION WHICH IS THE PROPERTY OF OMNETICS CONNECTOR CORP. THIS DOCUMENT MAY NOT, IN WHOLE OR IN PART, BE DUPLICATED, OR DISCLOSED FOR ANY PURPOSE, WITHOUT WRITTEN PERMISSION FROM OMNETICS CONNECTOR CORP.	
DFTM. ACW	DATE 05-11-15
CHK'D.	DATE
APP'D.	DATE
TITLE: (5-20) SOCKET FEMALE BREAK AWAY CONNECTOR	

**OMNETICS**  
CONNECTOR CORPORATION  
7260 COMMERCE CIRCLE EAST  
MINNEAPOLIS, MN 55432  
WWW.OMNETICS.COM

CAGE CODE 61873
DWG NO. A90155-001
SHEET 1 OF 4
SCALE: 5:2
REV B

PART NO.	A90155-001	REV	ECO	DATE	APP
		B	104157	01-10-18	HV

MATERIALS & SPECIFICATIONS

INSULATOR  
POLYETHERIMIDE

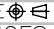

CONTACT MATERIAL  
SIGNAL - COPPER ALLOY PER MIL-DTL-83513  
POWER - COPPER ALLOY PER SAE-AS39029

CONTACT FINISH  
SIGNAL - GOLD PLATE PER ASTM B488, TYPE II,  
CLASS 1.27, CODE C OVER NICKEL UNDERPLATE  
POWER - GOLD PLATE PER ASTM B488, TYPE II,  
CLASS 1.27, CODE C OVER NICKEL UNDERPLATE

TERMINATION  
SIGNAL - 26 AWG, (7-34) SILVER COATED COPPER,  
PTFE, COLOR CODED  
POWER - 20 AWG, (7-28) SILVER COATED COPPER,  
PTFE, COLOR CODED

SHELLS  
BRASS ALLOY 360

SHELL FINISH  
ELECTROLESS NICKEL (200 MICROINCHES MINIMUM) PER  
SAE-AMS-2404

BAMS SLDW	THIRD ANGLE 	THIS DRAWING CONTAINS CONFIDENTIAL AND PROPRIETARY INFORMATION WHICH IS THE PROPERTY OF OMNETICS CONNECTOR CORP. THIS DOCUMENT MAY NOT, IN WHOLE OR IN PART, BE DUPLICATED, OR DISCLOSED FOR ANY PURPOSE, WITHOUT WRITTEN PERMISSION FROM OMNETICS CONNECTOR CORP.	DATE 05-11-15	TITLE: (5-20) SOCKET FEMALE BREAK AWAY CONNECTOR	 <b>CONNECTOR CORPORATION</b> 7260 COMMERCE CIRCLE EAST MINNEAPOLIS, MN 55432 WWW.OMNETICS.COM	CAGE CODE <b>61873</b>	
	-TOLERANCES- UNLESS OTHERWISE NOTED DIMENSIONS IN INCHES 2 PL DEC ± .01 3 PL DEC ± .005 4 PL DEC ± .0005 ANGLES ± 1°					DFTM. ACW	DATE
			DATE			SCALE: 6:1	

PART NO.	A90155-001	REV	ECO	DATE	APP
		B	104157	01-10-18	HV

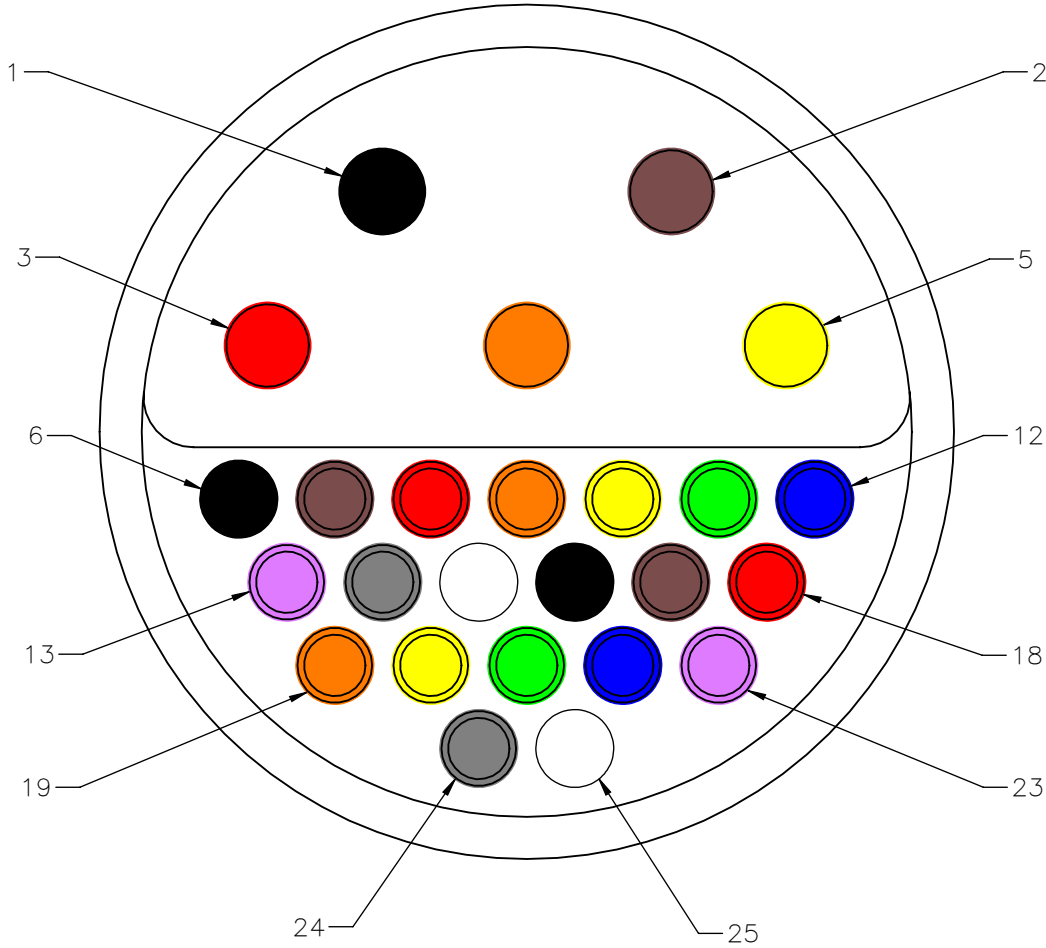
PRODUCT FAMILY TESTED TO AND PASSED THE FOLLOWING PERFORMANCE SPECIFICATIONS

CURRENT RATING:	3 AMPS MAX (SIGNAL CONTACTS) 10 AMPS MAX (POWER CONTACTS)
DIELECTRIC WITHSTANDING VOLTAGE:	600 VAC RMS (SIGNAL CONTACTS) 1000 VAC RMS (POWER CONTACTS)
INSULATION RESISTANCE:	5000 MEGAOHMS MIN @ 500 VDC
CONTACT RESISTANCE:	26 MILLIOHMS (65 mV) MAX @ 2.5 AMPS (SIGNAL CONTACTS) 7 MILLIOHMS (55 mV) MAX @ 7.5 AMPS (POWER CONTACTS)
CONTACT ENGAGEMENT & SEPARATION FORCES:	6 OZ MAX/CONTACT (ENGAGEMENT SIGNAL) .5 OZ MIN/CONTACT (SEPARATION SIGNAL) 18 OZ MAX/CONTACT (ENGAGEMENT POWER) .7 OZ MIN/CONTACT (SEPARATION POWER)
TEMPERATURE CYCLING:	-55°C TO +125°C, 5 CYCLES
VIBRATION*:	EIA-364-28, TEST CONDITION IV, 20 g's
MECHANICAL SHOCK*:	EIA-364-27, TEST CONDITION D, 300 g's
DURABILITY:	500 CYCLES

\*PENDING COMPLETION OF TESTING

BAMS	THIRD ANGLE	THIS DRAWING CONTAINS CONFIDENTIAL AND PROPRIETARY INFORMATION WHICH IS THE PROPERTY OF OMNETICS CONNECTOR CORP. THIS DOCUMENT MAY NOT, IN WHOLE OR IN PART, BE DUPLICATED, OR DISCLOSED FOR ANY PURPOSE, WITHOUT WRITTEN PERMISSION FROM OMNETICS CONNECTOR CORP.	<b>OMNETICS</b> CONNECTOR CORPORATION 7260 COMMERCE CIRCLE EAST MINNEAPOLIS, MN 55432 WWW.OMNETICS.COM	CAGE CODE <b>61873</b>	
	-TOLERANCES-			DATE	TITLE:
	UNLESS OTHERWISE NOTED DIMENSIONS IN INCHES			05-11-15	<b>A90155-001</b>
	2 PL DEC ± .01 3 PL DEC ± .005 4 PL DEC ± .0005 ANGLES ± 1°	DFTM. ACW CHK'D. APP'D.		DATE DATE DATE	SHEET 3 OF 4 SCALE: 5:2
SLDW			(5-20) SOCKET FEMALE BREAK AWAY CONNECTOR		REV B

PART NO.	A90155-001	REV	ECO	DATE	APP
		B	104157	01-10-18	HV



CONTACT #	COLOR	AWG
1	BLACK	20 AWG
2	BROWN	
3	RED	
4	ORANGE	
5	YELLOW	
6	BLACK	26 AWG
7	BROWN	
8	RED	
9	ORANGE	
10	YELLOW	
11	GREEN	
12	BLUE	
13	VIOLET	
14	GRAY	
15	WHITE	
16	BLACK	
17	BROWN	
18	RED	
19	ORANGE	
20	YELLOW	
21	GREEN	
22	BLUE	
23	VIOLET	
24	GRAY	
25	WHITE	

BAMS SLDW	THIRD ANGLE
	-TOLERANCES-
	UNLESS OTHERWISE NOTED
	DIMENSIONS IN INCHES
2	PL DEC ± .01
3	PL DEC ± .005
4	PL DEC ± .0005
	ANGLES ± 1°

THIS DRAWING CONTAINS CONFIDENTIAL AND PROPRIETARY INFORMATION WHICH IS THE PROPERTY OF OMNETICS CONNECTOR CORP. THIS DOCUMENT MAY NOT, IN WHOLE OR IN PART, BE DUPLICATED, OR DISCLOSED FOR ANY PURPOSE, WITHOUT WRITTEN PERMISSION FROM OMNETICS CONNECTOR CORP.	
DFTM. ACW	DATE 05-11-15
CHK'D.	DATE
APP'D.	DATE
TITLE: (5-20) SOCKET FEMALE BREAK AWAY CONNECTOR	

**OMNETICS**  
CONNECTOR CORPORATION  
7260 COMMERCE CIRCLE EAST  
MINNEAPOLIS, MN 55432  
WWW.OMNETICS.COM

CAGE CODE 61873	REV
DWG NO. A90155-001	B
SHEET 4 OF 4	
SCALE: 1:1	