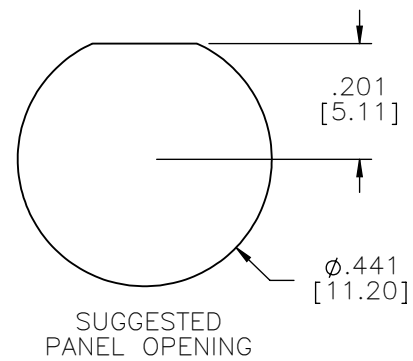
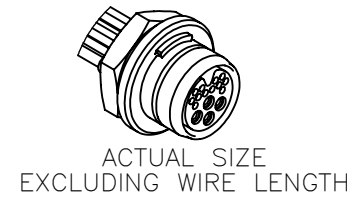
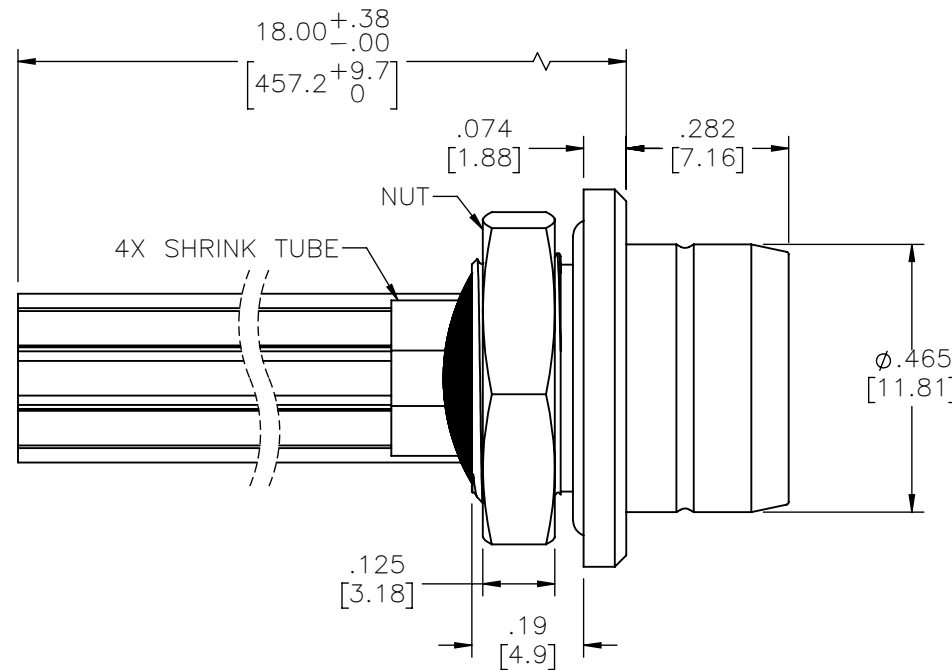
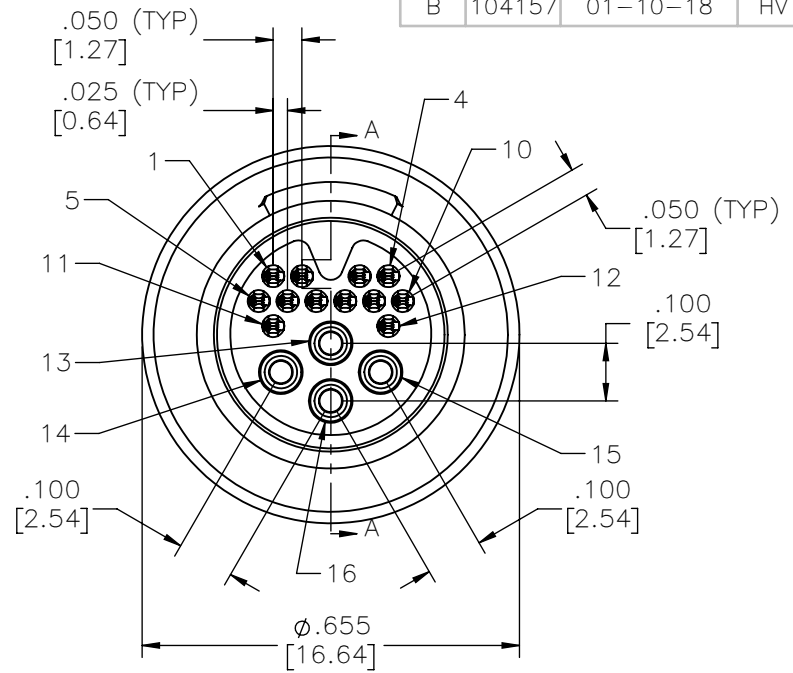
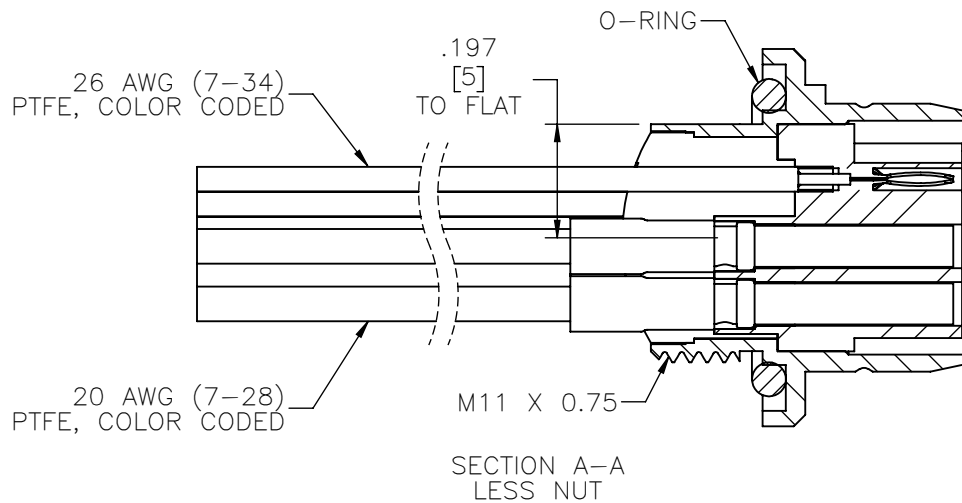


PART NO.	A90149-001	REV	ECO	DATE	APP
		B	104157	01-10-18	HV



NOTE:  
DIMENSIONS IN [ ] ARE IN MILLIMETERS UNLESS OTHERWISE NOTED AND ARE FOR REFERENCE ONLY

BAMP SLDW	THIRD ANGLE
	-TOLERANCES-
	UNLESS OTHERWISE NOTED
	DIMENSIONS IN INCHES
2	PL DEC ± .01
3	PL DEC ± .005
4	PL DEC ± .0005
	ANGLES ± 1°

THIS DRAWING CONTAINS CONFIDENTIAL AND PROPRIETARY INFORMATION WHICH IS THE PROPERTY OF OMNETICS CONNECTOR CORP. THIS DOCUMENT MAY NOT, IN WHOLE OR IN PART, BE DUPLICATED, OR DISCLOSED FOR ANY PURPOSE, WITHOUT WRITTEN PERMISSION FROM OMNETICS CONNECTOR CORP.

DFTM. ACW	DATE
CHK'D.	04-23-15
APP'D.	DATE

TITLE:  
**(4-12) PIN MALE  
BREAK AWAY  
CONNECTOR**

**OMNETICS**  
CONNECTOR CORPORATION  
7260 COMMERCE CIRCLE EAST  
MINNEAPOLIS, MN 55432  
WWW.OMNETICS.COM

CAGE CODE	<b>61873</b>
DWG NO.	<b>A90149-001</b>
SHEET 1 OF 4	REV B
SCALE: 3:1	

PART NO.	A90149-001	REV	ECO	DATE	APP
		B	104157	01-10-18	HV

MATERIALS & SPECIFICATIONS

INSULATOR  
POLYETHERIMIDE

CONTACT MATERIAL  
SIGNAL - COPPER ALLOY PER MIL-DTL-83513  
POWER - COPPER ALLOY PER SAE-AS39029

CONTACT FINISH  
SIGNAL - GOLD PLATE PER ASTM B488, TYPE II, CLASS 1.27,  
CODE C OVER NICKEL UNDERPLATE  
POWER - GOLD PLATE PER ASTM B488, TYPE II, CLASS 1.27,  
CODE C OVER NICKEL UNDERPLATE

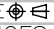

TERMINATION  
SIGNAL - 26 AWG, (7-34) SILVER COATED COPPER, PTFE,  
COLOR CODED  
POWER - 20 AWG, (7-28) SILVER COATED COPPER, PTFE,  
COLOR CODED

SHELLS  
BRASS ALLOY 360

SHELL FINISH  
ELECTROLESS NICKEL (200 MICROINCHES MINIMUM) PER SAE-  
AMS-2404

CONTACT #	COLOR	AWG
1	BLACK	26 AWG
2	BROWN	
3	RED	
4	ORANGE	
5	YELLOW	
6	GREEN	
7	BLUE	
8	VIOLET	
9	GRAY	
10	WHITE	
11	BLACK	
12	BROWN	
13	BLACK	
14	BROWN	
15	RED	
16	ORANGE	

INTERNAL USE ONLY  
SHEET 4 OF 4 IS  
MANUFACTURING  
LOADING DIAGRAM

BAMP SLDW	THIRD ANGLE 	THIS DRAWING CONTAINS CONFIDENTIAL AND PROPRIETARY INFORMATION WHICH IS THE PROPERTY OF OMNETICS CONNECTOR CORP. THIS DOCUMENT MAY NOT, IN WHOLE OR IN PART, BE DUPLICATED, OR DISCLOSED FOR ANY PURPOSE, WITHOUT WRITTEN PERMISSION FROM OMNETICS CONNECTOR CORP.		TITLE: <b>(4-12) PIN MALE BREAK AWAY CONNECTOR</b>	 <b>CONNECTOR CORPORATION</b> 7260 COMMERCE CIRCLE EAST MINNEAPOLIS, MN 55432 WWW.OMNETICS.COM	CAGE CODE <b>61873</b>	
	-TOLERANCES- UNLESS OTHERWISE NOTED DIMENSIONS IN INCHES		DFTM. ACW DATE 04-23-15			DWG NO. <b>A90149-001</b>	SHEET 2 OF 4
	2 PL DEC ± .01 3 PL DEC ± .005 4 PL DEC ± .0005 ANGLES ± 1°	CHK'D. DATE	APP'D. DATE			SCALE: 6:1	

PART NO.	A90149-001	REV	ECO	DATE	APP
		B	104157	01-10-18	HV

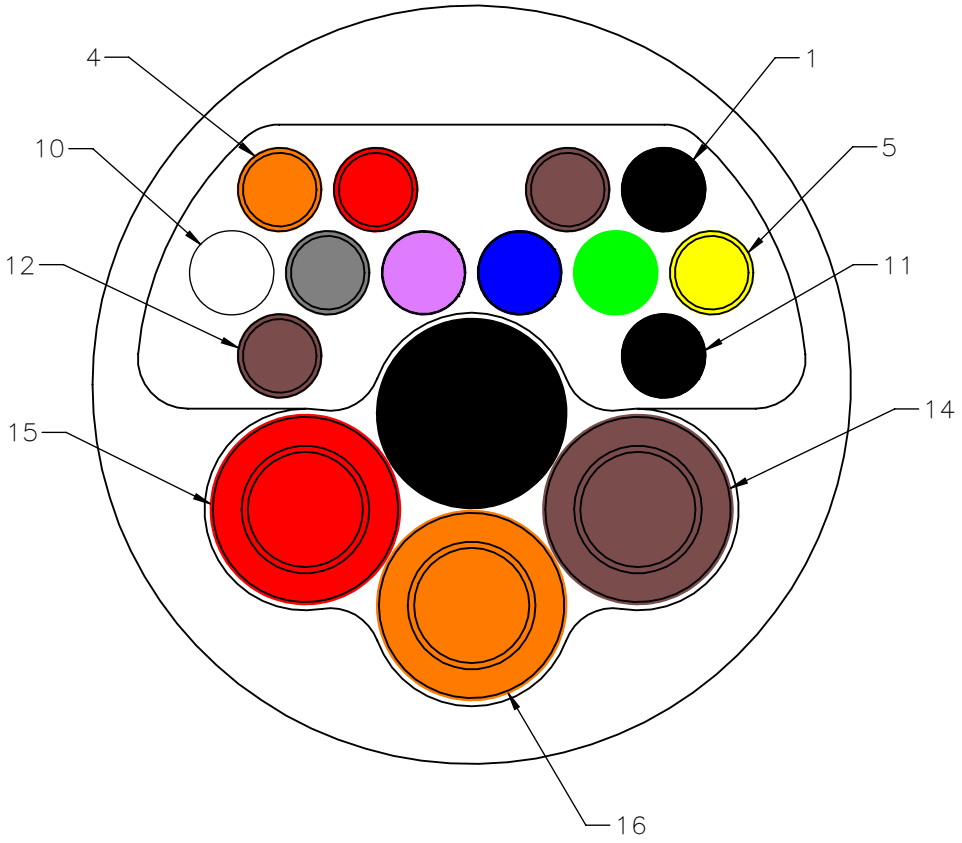
PRODUCT FAMILY TESTED TO AND PASSED THE FOLLOWING PERFORMANCE SPECIFICATIONS

CURRENT RATING:	3 AMPS MAX (SIGNAL CONTACTS) 10 AMPS MAX (POWER CONTACTS)
DIELECTRIC WITHSTANDING VOLTAGE:	600 VAC RMS (SIGNAL CONTACTS) 1000 VAC RMS (POWER CONTACTS)
INSULATION RESISTANCE:	5000 MEGAOHMS MIN @ 500 VDC
CONTACT RESISTANCE:	26 MILLIOHMS (65 mV) MAX @ 2.5 AMPS (SIGNAL CONTACTS) 7 MILLIOHMS (55 mV) MAX @ 7.5 AMPS (POWER CONTACTS)
CONTACT ENGAGEMENT & SEPARATION FORCES:	6 OZ MAX/CONTACT (ENGAGEMENT SIGNAL) .5 OZ MIN/CONTACT (SEPARATION SIGNAL) 18 OZ MAX/CONTACT (ENGAGEMENT POWER) .7 OZ MIN/CONTACT (SEPARATION POWER)
TEMPERATURE CYCLING:	-55°C TO +125°C, 5 CYCLES
VIBRATION*:	EIA-364-28, TEST CONDITION IV, 20 g's
MECHANICAL SHOCK*:	EIA-364-27, TEST CONDITION D, 300 g's
DURABILITY:	500 CYCLES

\*PENDING COMPLETION OF TESTING

BAMP SLDW	THIRD ANGLE	THIS DRAWING CONTAINS CONFIDENTIAL AND PROPRIETARY INFORMATION WHICH IS THE PROPERTY OF OMNETICS CONNECTOR CORP. THIS DOCUMENT MAY NOT, IN WHOLE OR IN PART, BE DUPLICATED, OR DISCLOSED FOR ANY PURPOSE, WITHOUT WRITTEN PERMISSION FROM OMNETICS CONNECTOR CORP.	<b>OMNETICS</b> CONNECTOR CORPORATION 7260 COMMERCE CIRCLE EAST MINNEAPOLIS, MN 55432 WWW.OMNETICS.COM	CAGE CODE <b>61873</b>	REV B
	-TOLERANCES- <small>UNLESS OTHERWISE NOTED</small> DIMENSIONS IN INCHES			DWG NO. <b>A90149-001</b>	
	2 PL DEC ± .01 3 PL DEC ± .005 4 PL DEC ± .0005 ANGLES ± 1°	DFTM. ACW DATE 04-23-15 CHK'D. DATE APP'D. DATE	TITLE: <b>(4-12) PIN MALE BREAK AWAY CONNECTOR</b>	SCALE: 3:1	

PART NO.	A90149-001	REV	ECO	DATE	APP
		B	104157	01-10-18	HV



CONTACT #	COLOR	AWG
1	BLACK	26 AWG
2	BROWN	
3	RED	
4	ORANGE	
5	YELLOW	
6	GREEN	
7	BLUE	
8	VIOLET	
9	GRAY	
10	WHITE	
11	BLACK	
12	BROWN	
13	BLACK	20 AWG
14	BROWN	
15	RED	
16	ORANGE	

BAMP	THIRD ANGLE
	UNLESS OTHERWISE NOTED
SLDW	DIMENSIONS IN INCHES
	2 PL DEC ± .01
	3 PL DEC ± .005
	4 PL DEC ± .0005
	ANGLES ± 1°

THIS DRAWING CONTAINS CONFIDENTIAL AND PROPRIETARY INFORMATION WHICH IS THE PROPERTY OF OMNETICS CONNECTOR CORP. THIS DOCUMENT MAY NOT, IN WHOLE OR IN PART, BE DUPLICATED, OR DISCLOSED FOR ANY PURPOSE, WITHOUT WRITTEN PERMISSION FROM OMNETICS CONNECTOR CORP.

DFTM. ACW DATE 04-23-15  
 CHK'D. DATE  
 APP'D. DATE

TITLE: (4-12) PIN MALE BREAK AWAY CONNECTOR

**OMNETICS**  
 CONNECTOR CORPORATION  
 7260 COMMERCE CIRCLE EAST  
 MINNEAPOLIS, MN 55432  
 WWW.OMNETICS.COM

CAGE CODE 61873	DWG NO. A90149-001
SHEET 4 OF 4	REV B
SCALE: 1:1	