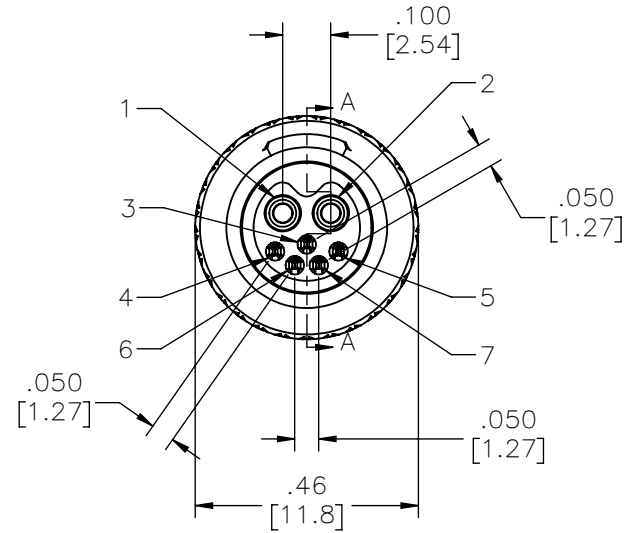
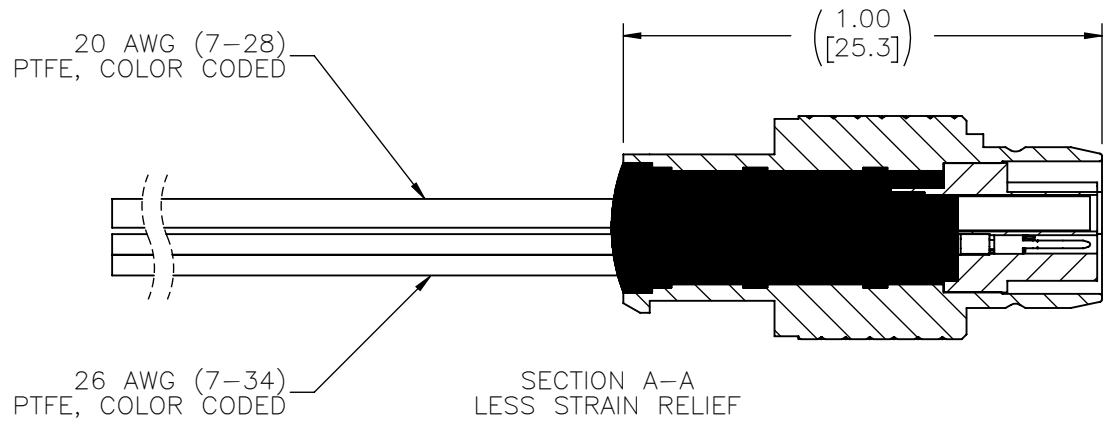
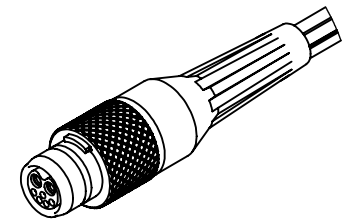
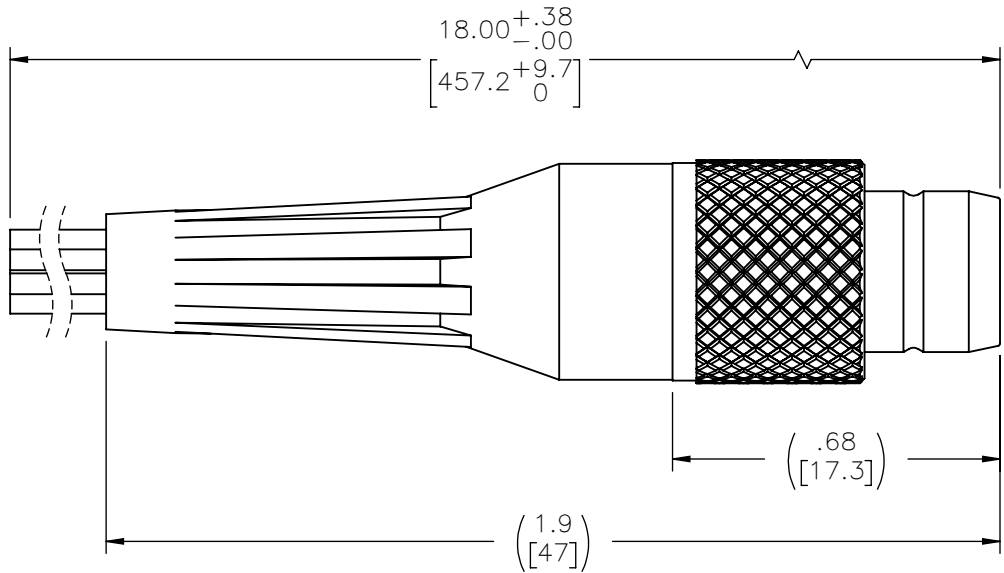


PART NO.	A90136-001	REV	ECO	DATE	APP
		A	103699	08-14-17	TLM



CONTACT #	COLOR	AWG
1	BLACK	20
2	BROWN	AWG
3	BLACK	26 AWG
4	BROWN	
5	RED	
6	ORANGE	
7	YELLOW	



ACTUAL SIZE
EXCLUDING WIRE LENGTH

NOTE:
DIMENSIONS IN [] ARE IN MILLIMETERS UNLESS OTHERWISE NOTED AND ARE FOR REFERENCE ONLY

BAMP	THIRD ANGLE
	—TOLERANCES— UNLESS OTHERWISE NOTED DIMENSIONS IN INCHES
SLDW	2 PL DEC ± .01
	3 PL DEC ± .005
	4 PL DEC ± .0005
ANGLES ± 1°	

THIS DRAWING CONTAINS CONFIDENTIAL AND PROPRIETARY INFORMATION WHICH IS THE PROPERTY OF OMNETICS CONNECTOR CORP. THIS DOCUMENT MAY NOT, IN WHOLE OR IN PART, BE DUPLICATED, OR DISCLOSED FOR ANY PURPOSE, WITHOUT WRITTEN PERMISSION FROM OMNETICS CONNECTOR CORP.	
DFTM. ACW	DATE 04-20-15
CHK'D.	DATE
APP'D.	DATE
TITLE: (2-5) PIN MALE MICRO BREAK AWAY SEALED CIRCULAR CONNECTOR	

OMNETICS
CONNECTOR CORPORATION
7260 COMMERCE CIRCLE EAST
MINNEAPOLIS, MN 55432
WWW.OMNETICS.COM

CAGE CODE 61873	
DWG NO. A90136-001	
SHEET 1 OF 4	REV A
SCALE: 5:2	