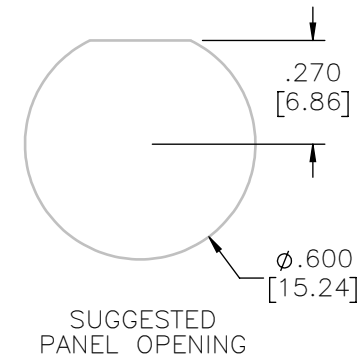
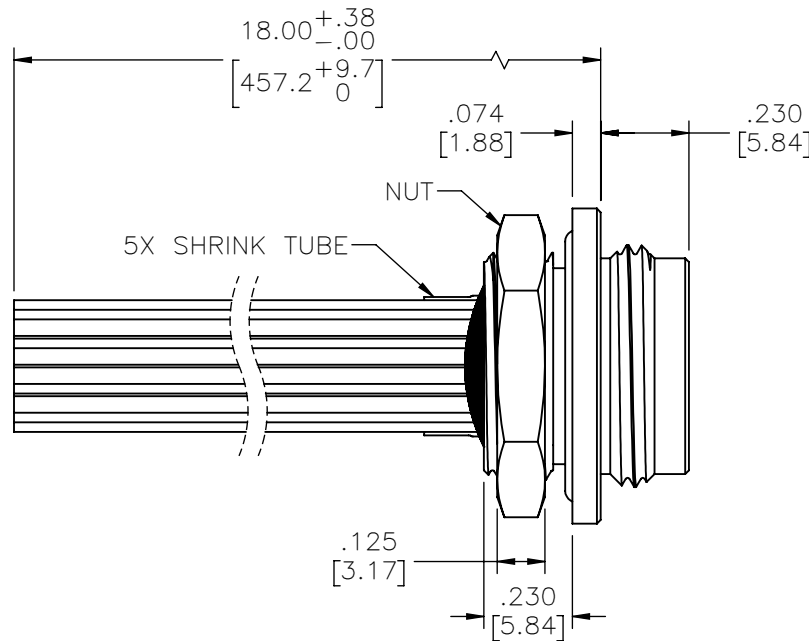
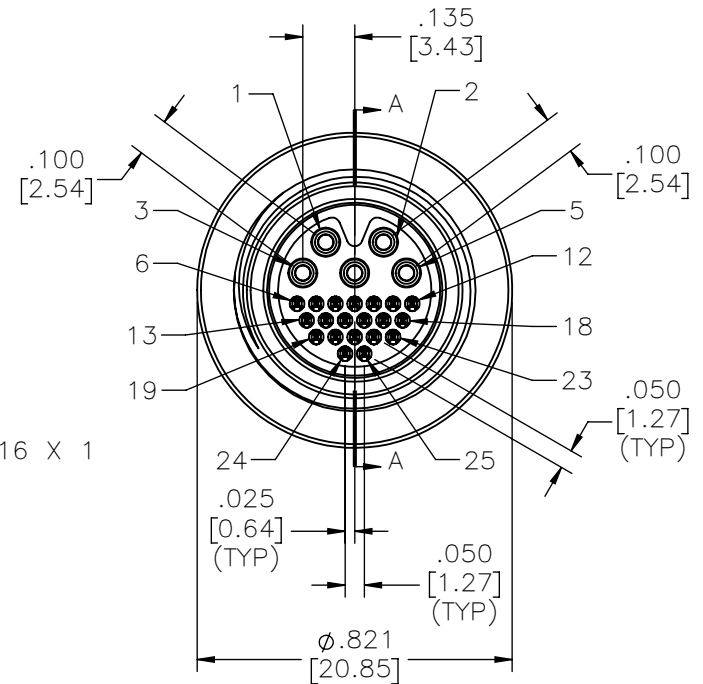
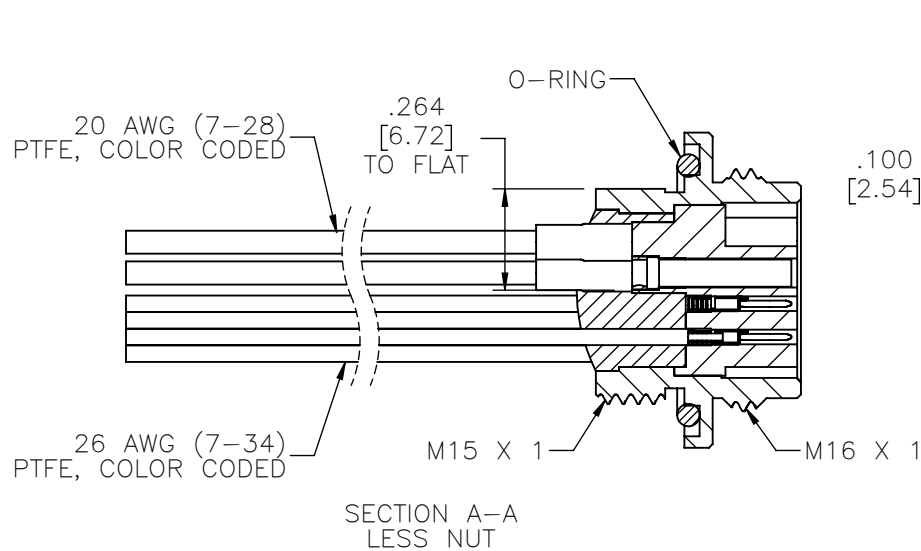
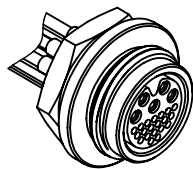


PART NO.	A90134-001	REV	ECO	DATE	APP
		B	104157	01-10-18	HV

CONTACT #	COLOR	AWG
1	BLACK	20 AWG
2	BROWN	
3	RED	
4	ORANGE	
5	YELLOW	
6	BLACK	
7	BROWN	26 AWG
8	RED	
9	ORANGE	
10	YELLOW	
11	GREEN	
12	BLUE	
13	VIOLET	
14	GRAY	
15	WHITE	
16	BLACK	
17	BROWN	
18	RED	
19	ORANGE	
20	YELLOW	
21	GREEN	
22	BLUE	
23	VIOLET	
24	GRAY	
25	WHITE	



INTERNAL USE ONLY
USE LOADING DIAGRAM
ON SHEET 4 OF 4



ACTUAL SIZE
EXCLUDING WIRE LENGTH

NOTE:

DIMENSIONS IN [] ARE IN MILLIMETERS UNLESS OTHERWISE NOTED AND ARE FOR REFERENCE ONLY

MMCP SLDW	THIRD ANGLE
	-TOLERANCES-
	UNLESS OTHERWISE NOTED
	DIMENSIONS IN INCHES
2	PL DEC ± .01
3	PL DEC ± .005
4	PL DEC ± .0005
	ANGLES ± °

THIS DRAWING CONTAINS CONFIDENTIAL AND PROPRIETARY INFORMATION WHICH IS THE PROPERTY OF OMNETICS CONNECTOR CORP. THIS DOCUMENT MAY NOT, IN WHOLE OR IN PART, BE DUPLICATED, OR DISCLOSED FOR ANY PURPOSE, WITHOUT WRITTEN PERMISSION FROM OMNETICS CONNECTOR CORP.	
DFTM. ACW	DATE 04-28-15
CHK'D.	DATE
APP'D.	DATE
TITLE: (5-20) PIN MALE MICRO THREADED PROTRUDING PANEL MOUNT	

OMNETICS
CONNECTOR CORPORATION
7260 COMMERCE CIRCLE EAST
MINNEAPOLIS, MN 55432
WWW.OMNETICS.COM

CAGE CODE 61873	
DWG NO. A90134-001	
SHEET 1 OF 4	REV B
SCALE: 2:1	

PART NO.	A90134-001	REV	ECO	DATE	APP
		B	104157	01-10-18	HV

MATERIALS & SPECIFICATIONS

INSULATOR
POLYETHERIMIDE

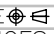
CONTACT MATERIAL
SIGNAL - COPPER ALLOY PER MIL-DTL-83513
POWER - COPPER ALLOY PER SAE-AS39029

CONTACT FINISH
SIGNAL - GOLD PLATE PER ASTM B488, TYPE II, CLASS 1.27, CODE C OVER NICKEL UNDERPLATE
POWER - GOLD PLATE PER ASTM B488, TYPE II, CLASS 1.27, CODE C OVER NICKEL UNDERPLATE

TERMINATION
SIGNAL - 26 AWG, (7-34) SILVER COATED COPPER, PTFE, COLOR CODED
POWER - 20 AWG, (7-28) SILVER COATED COPPER, PTFE, COLOR CODED

SHELLS
BRASS ALLOY 360

SHELL FINISH
ELECTROLESS NICKEL (200 MICROINCHES MINIMUM) PER SAE-AMS-2404

MMCP	THIRD ANGLE 
	-TOLERANCES-
SLDW	UNLESS OTHERWISE NOTED
	DIMENSIONS IN INCHES
	2 PL DEC ± .01
	3 PL DEC ± .005
	4 PL DEC ± .0005
	ANGLES ± °

THIS DRAWING CONTAINS CONFIDENTIAL AND PROPRIETARY INFORMATION WHICH IS THE PROPERTY OF OMNETICS CONNECTOR CORP. THIS DOCUMENT MAY NOT, IN WHOLE OR IN PART, BE DUPLICATED, OR DISCLOSED FOR ANY PURPOSE, WITHOUT WRITTEN PERMISSION FROM OMNETICS CONNECTOR CORP.	
DFTM. ACW	DATE 04-28-15
CHK'D.	DATE
APP'D.	DATE

TITLE:
(5-20) PIN MALE MICRO
THREADED PROTRUDING
PANEL MOUNT

OMNETICS
CONNECTOR CORPORATION
7260 COMMERCE CIRCLE EAST
MINNEAPOLIS, MN 55432
WWW.OMNETICS.COM

CAGE CODE 61873
DWG NO. A90134-001
SHEET 2 OF 4
SCALE: 6:1
REV B

PART NO.	A90134-001	REV	ECO	DATE	APP
		B	104157	01-10-18	HV

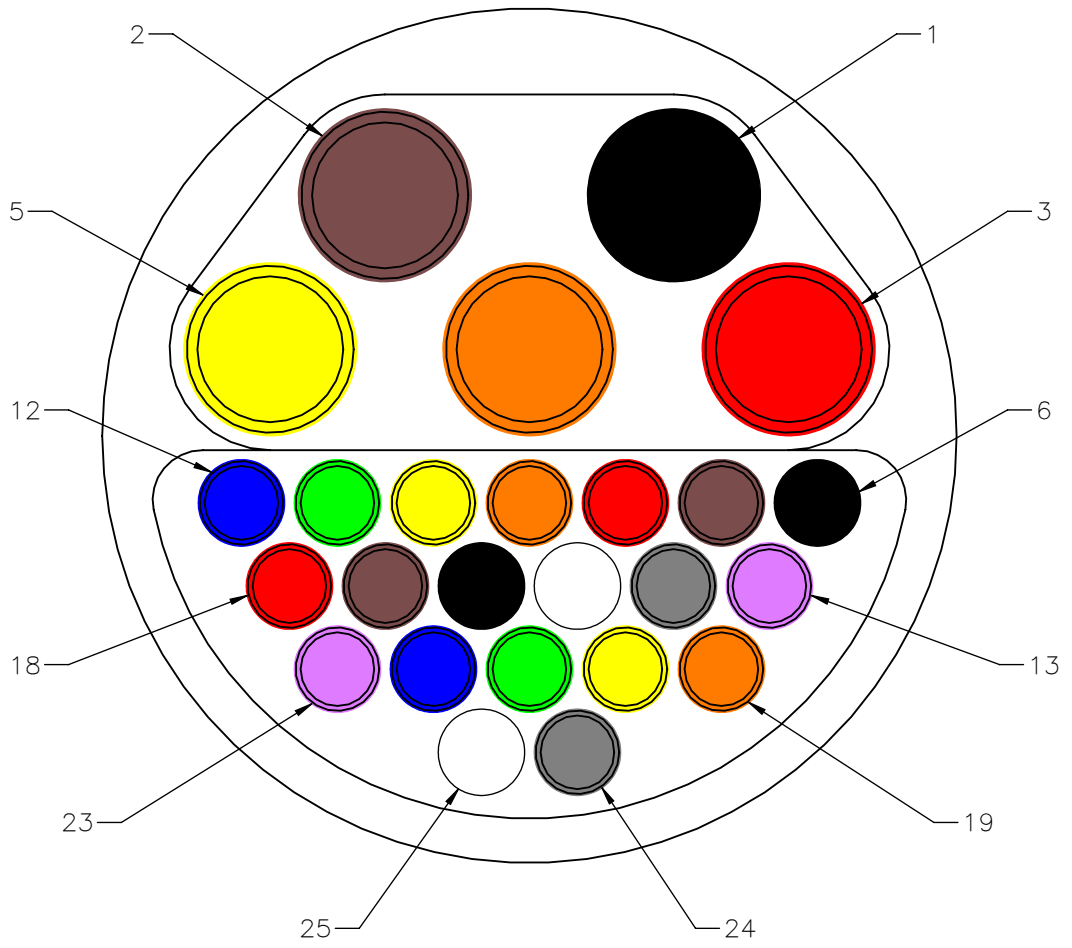
PRODUCT FAMILY TESTED TO AND PASSED THE FOLLOWING PERFORMANCE SPECIFICATIONS

CURRENT RATING:	3 AMPS MAX (SIGNAL CONTACTS) 10 AMPS MAX (POWER CONTACTS)
DIELECTRIC WITHSTANDING VOLTAGE:	600 VAC RMS (SIGNAL CONTACTS) 1000 VAC RMS (POWER CONTACTS)
INSULATION RESISTANCE:	5000 MEGAOHMS MIN @ 500 VDC
CONTACT RESISTANCE:	26 MILLIOHMS (65 mV) MAX @ 2.5 AMPS (SIGNAL CONTACTS) 7 MILLIOHMS (55 mV) MAX @ 7.5 AMPS (POWER CONTACTS)
CONTACT ENGAGEMENT & SEPARATION FORCES:	6 OZ MAX/CONTACT (ENGAGEMENT SIGNAL) .5 OZ MIN/CONTACT (SEPARATION SIGNAL) 18 OZ MAX/CONTACT (ENGAGEMENT POWER) .7 OZ MIN/CONTACT (SEPARATION POWER)
TEMPERATURE CYCLING:	-55°C TO +125°C, 5 CYCLES
VIBRATION*:	EIA-364-28, TEST CONDITION IV, 20 g's
MECHANICAL SHOCK*:	EIA-364-27, TEST CONDITION D, 300 g's
DURABILITY:	500 CYCLES

*PENDING COMPLETION OF TESTING

MMCP SLDW	THIRD ANGLE	THIS DRAWING CONTAINS CONFIDENTIAL AND PROPRIETARY INFORMATION WHICH IS THE PROPERTY OF OMNETICS CONNECTOR CORP. THIS DOCUMENT MAY NOT, IN WHOLE OR IN PART, BE DUPLICATED, OR DISCLOSED FOR ANY PURPOSE, WITHOUT WRITTEN PERMISSION FROM OMNETICS CONNECTOR CORP.	OMNETICS CONNECTOR CORPORATION 7260 COMMERCE CIRCLE EAST MINNEAPOLIS, MN 55432 WWW.OMNETICS.COM	CAGE CODE 61873	
	-TOLERANCES- <small>UNLESS OTHERWISE NOTED DIMENSIONS IN INCHES</small>			DWG NO. A90134-001	
	2 PL DEC ± .01 3 PL DEC ± .005 4 PL DEC ± .0005 ANGLES ± °	DFTM. ACW DATE 04-28-15 CHK'D. DATE APP'D. DATE	TITLE: (5-20) PIN MALE MICRO THREADED PROTRUDING PANEL MOUNT	SHEET 3 OF 4	REV B
			SCALE: 2:1		

PART NO.	A90134-001	REV	ECO	DATE	APP
		B	104157	01-10-18	HV



CONTACT #	COLOR	AWG
1	BLACK	20 AWG
2	BROWN	
3	RED	
4	ORANGE	
5	YELLOW	
6	BLACK	26 AWG
7	BROWN	
8	RED	
9	ORANGE	
10	YELLOW	
11	GREEN	
12	BLUE	
13	VIOLET	
14	GRAY	
15	WHITE	
16	BLACK	
17	BROWN	
18	RED	
19	ORANGE	
20	YELLOW	
21	GREEN	
22	BLUE	
23	VIOLET	
24	GRAY	
25	WHITE	

MMCP SLDW	THIRD ANGLE
	-TOLERANCES-
	UNLESS OTHERWISE NOTED
	DIMENSIONS IN INCHES
2	PL DEC ± .01
3	PL DEC ± .005
4	PL DEC ± .0005
	ANGLES ± °

THIS DRAWING CONTAINS CONFIDENTIAL AND PROPRIETARY INFORMATION WHICH IS THE PROPERTY OF OMNETICS CONNECTOR CORP. THIS DOCUMENT MAY NOT, IN WHOLE OR IN PART, BE DUPLICATED, OR DISCLOSED FOR ANY PURPOSE, WITHOUT WRITTEN PERMISSION FROM OMNETICS CONNECTOR CORP.	
DFTM. ACW	DATE 04-28-15
CHK'D.	DATE
APP'D.	DATE
TITLE: (5-20) PIN MALE MICRO THREADED PROTRUDING PANEL MOUNT	

OMNETICS
CONNECTOR CORPORATION
7260 COMMERCE CIRCLE EAST
MINNEAPOLIS, MN 55432
WWW.OMNETICS.COM

CAGE CODE 61873	
DWG NO. A90134-001	
SHEET 4 OF 4	REV B
SCALE: 1:1	