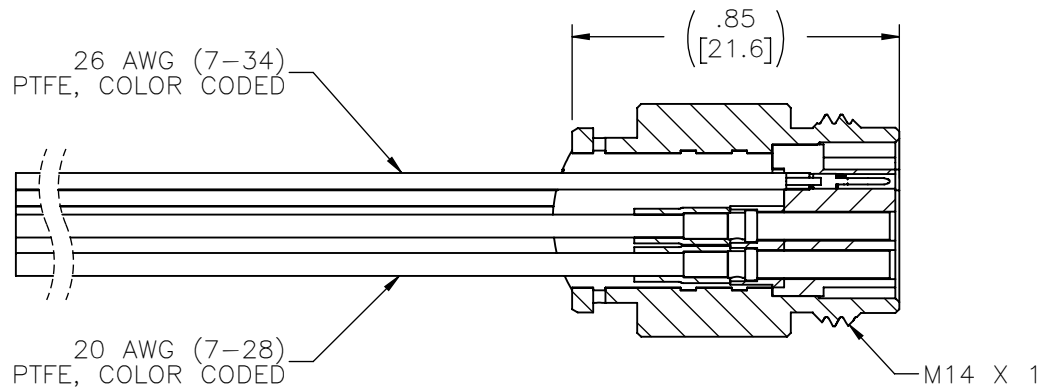
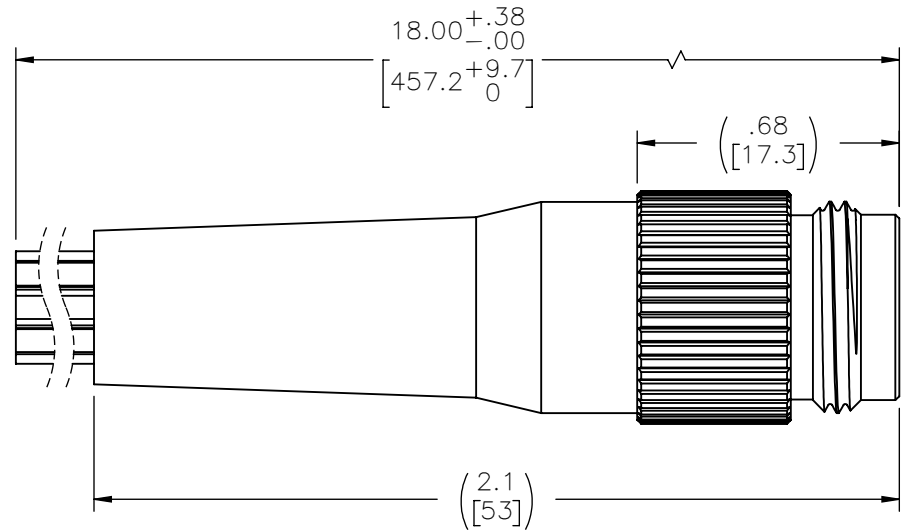
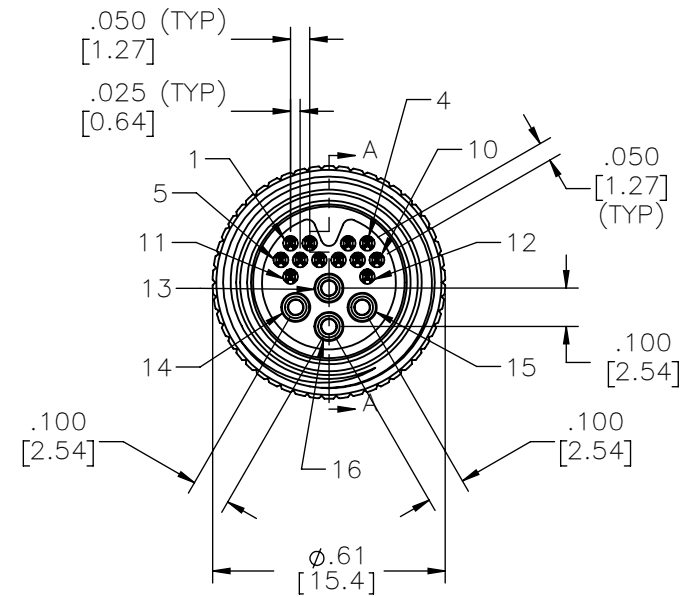


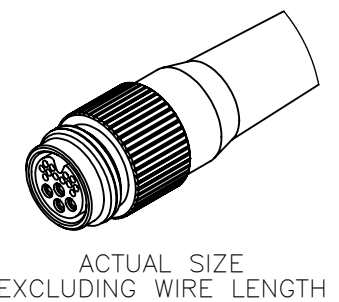
PART NO.	A90126-001	REV	ECO	DATE	APP
		B	104151	01-10-18	HV



SECTION A-A  
LESS STRAIN RELIEF



CONTACT #	COLOR	AWG
1	BLACK	26 AWG
2	BROWN	
3	RED	
4	ORANGE	
5	YELLOW	
6	GREEN	
7	BLUE	
8	VIOLET	
9	GRAY	
10	WHITE	
11	BLACK	
12	BROWN	
13	BLACK	20 AWG
14	BROWN	
15	RED	
16	ORANGE	



INTERNAL USE ONLY  
USE LOADING DIAGRAM  
ON SHEET 4 OF 4

NOTE:  
DIMENSIONS IN [ ] ARE IN MILLIMETERS UNLESS OTHERWISE NOTED AND ARE FOR REFERENCE ONLY

MMCP SLDW	THIRD ANGLE
	-TOLERANCES-
	UNLESS OTHERWISE NOTED
	DIMENSIONS IN INCHES
2	PL DEC ± .01
3	PL DEC ± .005
4	PL DEC ± .0005
ANGLES ± 1°	

THIS DRAWING CONTAINS CONFIDENTIAL AND PROPRIETARY INFORMATION WHICH IS THE PROPERTY OF OMNETICS CONNECTOR CORP. THIS DOCUMENT MAY NOT, IN WHOLE OR IN PART, BE DUPLICATED, OR DISCLOSED FOR ANY PURPOSE, WITHOUT WRITTEN PERMISSION FROM OMNETICS CONNECTOR CORP.	
DFTM. ACW	DATE 04-23-15
CHK'D.	DATE
APP'D.	DATE
TITLE: (4-12) PIN MALE CIRCULAR CONNECTOR W/METAL SHELL	

**OMNETICS**  
CONNECTOR CORPORATION  
7260 COMMERCE CIRCLE EAST  
MINNEAPOLIS, MN 55432  
WWW.OMNETICS.COM

CAGE CODE 61873
DWG NO. A90126-001
SHEET 1 OF 4
SCALE: 2:1
REV B

PART NO.	A90126-001	REV	ECO	DATE	APP
		B	104151	01-10-18	HV

MATERIALS & SPECIFICATIONS

INSULATOR  
POLYETHERIMIDE

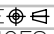
CONTACT MATERIAL  
SIGNAL - COPPER ALLOY PER MIL-DTL-83513  
POWER - COPPER ALLOY PER SAE-AS39029

CONTACT FINISH  
SIGNAL - GOLD PLATE PER ASTM B488, TYPE II, CLASS 1.27, CODE C OVER NICKEL UNDERPLATE  
POWER - GOLD PLATE PER ASTM B488, TYPE II, CLASS 1.27, CODE C OVER NICKEL UNDERPLATE

TERMINATION  
SIGNAL - 26 AWG, (7-34) SILVER COATED COPPER, PTFE, COLOR CODED  
POWER - 20 AWG, (7-28) SILVER COATED COPPER, PTFE, COLOR CODED

SHELLS  
BRASS ALLOY 360

SHELL FINISH  
ELECTROLESS NICKEL (200 MICROINCHES MINIMUM) PER SAE-AMS-2404

MMCP	THIRD ANGLE 
	-TOLERANCES-
SLDW	UNLESS OTHERWISE NOTED
	DIMENSIONS IN INCHES
	2 PL DEC ± .01
	3 PL DEC ± .005
	4 PL DEC ± .0005
	ANGLES ± 1°

THIS DRAWING CONTAINS CONFIDENTIAL AND PROPRIETARY INFORMATION WHICH IS THE PROPERTY OF OMNETICS CONNECTOR CORP. THIS DOCUMENT MAY NOT, IN WHOLE OR IN PART, BE DUPLICATED, OR DISCLOSED FOR ANY PURPOSE, WITHOUT WRITTEN PERMISSION FROM OMNETICS CONNECTOR CORP.	
DFTM. ACW	DATE 04-23-15
CHK'D.	DATE
APP'D.	DATE

TITLE:  
**(4-12) PIN MALE  
CIRCULAR CONNECTOR  
W/METAL SHELL**



**CONNECTOR CORPORATION**  
7260 COMMERCE CIRCLE EAST  
MINNEAPOLIS, MN 55432  
WWW.OMNETICS.COM

CAGE CODE <b>61873</b>
DWG NO. <b>A90126-001</b>
SHEET 2 OF 4
SCALE: 6:1
REV B

PART NO.	A90126-001	REV	ECO	DATE	APP
		B	104151	01-10-18	HV

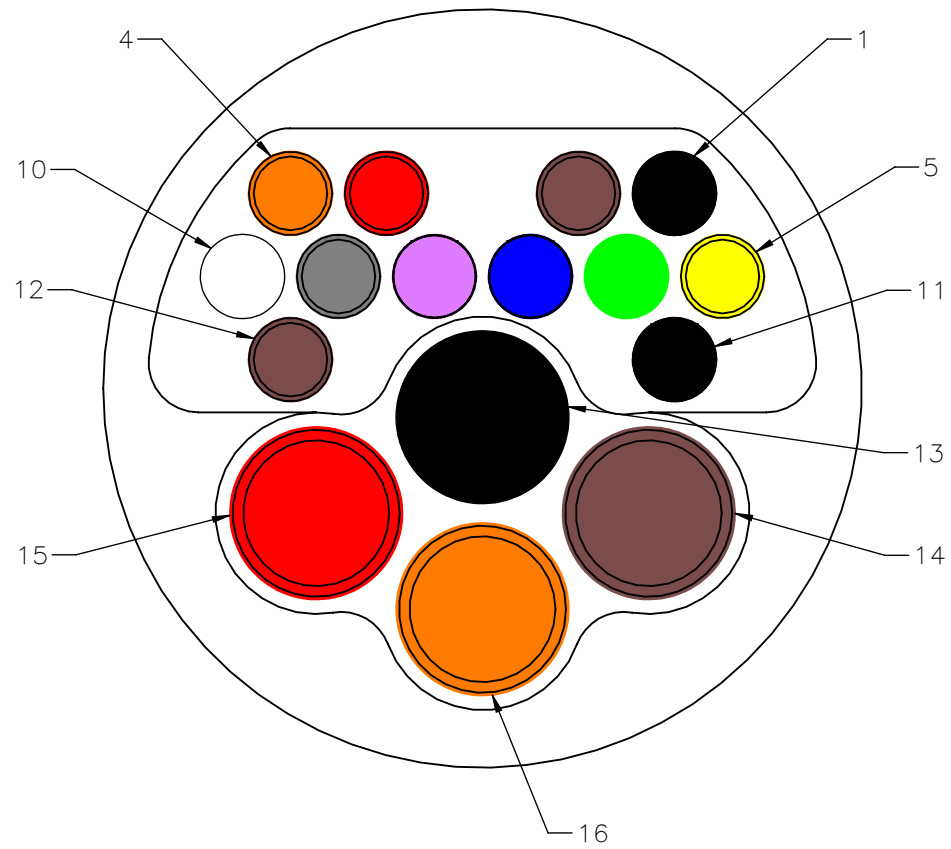
PRODUCT FAMILY TESTED TO AND PASSED THE FOLLOWING PERFORMANCE SPECIFICATIONS

CURRENT RATING:	3 AMPS MAX (SIGNAL CONTACTS) 10 AMPS MAX (POWER CONTACTS)
DIELECTRIC WITHSTANDING VOLTAGE:	600 VAC RMS (SIGNAL CONTACTS) 1000 VAC RMS (POWER CONTACTS)
INSULATION RESISTANCE:	5000 MEGAOHMS MIN @ 500 VDC
CONTACT RESISTANCE:	26 MILLIOHMS (65 mV) MAX @ 2.5 AMPS (SIGNAL CONTACTS) 7 MILLIOHMS (55 mV) MAX @ 7.5 AMPS (POWER CONTACTS)
CONTACT ENGAGEMENT & SEPARATION FORCES:	6 OZ MAX/CONTACT (ENGAGEMENT SIGNAL) .5 OZ MIN/CONTACT (SEPARATION SIGNAL) 18 OZ MAX/CONTACT (ENGAGEMENT POWER) .7 OZ MIN/CONTACT (SEPARATION POWER)
TEMPERATURE CYCLING:	-55°C TO +125°C, 5 CYCLES
VIBRATION*:	EIA-364-28, TEST CONDITION IV, 20 g's
MECHANICAL SHOCK*:	EIA-364-27, TEST CONDITION D, 300 g's
DURABILITY:	500 CYCLES

\*PENDING COMPLETION OF TESTING

MMCP SLDW	THIRD ANGLE	THIS DRAWING CONTAINS CONFIDENTIAL AND PROPRIETARY INFORMATION WHICH IS THE PROPERTY OF OMNETICS CONNECTOR CORP. THIS DOCUMENT MAY NOT, IN WHOLE OR IN PART, BE DUPLICATED, OR DISCLOSED FOR ANY PURPOSE, WITHOUT WRITTEN PERMISSION FROM OMNETICS CONNECTOR CORP.	<b>OMNETICS</b> CONNECTOR CORPORATION 7260 COMMERCE CIRCLE EAST MINNEAPOLIS, MN 55432 WWW.OMNETICS.COM	CAGE CODE <b>61873</b>	
	-TOLERANCES- <small>UNLESS OTHERWISE NOTED DIMENSIONS IN INCHES</small>			DATE 04-23-15	TITLE: (4-12) PIN MALE CIRCULAR CONNECTOR W/METAL SHELL
	2 PL DEC ± .01 3 PL DEC ± .005 4 PL DEC ± .0005 ANGLES ± 1°	DFTM. ACW CHK'D. APP'D.		SCALE: 2:1	

PART NO.	A90126-001	REV	ECO	DATE	APP
		B	104151	01-10-18	HV



CONTACT #	COLOR	AWG
1	BLACK	26 AWG
2	BROWN	
3	RED	
4	ORANGE	
5	YELLOW	
6	GREEN	
7	BLUE	
8	VIOLET	
9	GRAY	
10	WHITE	
11	BLACK	
12	BROWN	
13	BLACK	20 AWG
14	BROWN	
15	RED	
16	ORANGE	

MMCP	THIRD ANGLE
	-TOLERANCES-
SLDW	UNLESS OTHERWISE NOTED
	DIMENSIONS IN INCHES
	2 PL DEC ± .01
	3 PL DEC ± .005
	4 PL DEC ± .0005
	ANGLES ± 1°

THIS DRAWING CONTAINS CONFIDENTIAL AND PROPRIETARY INFORMATION WHICH IS THE PROPERTY OF OMNETICS CONNECTOR CORP. THIS DOCUMENT MAY NOT, IN WHOLE OR IN PART, BE DUPLICATED, OR DISCLOSED FOR ANY PURPOSE, WITHOUT WRITTEN PERMISSION FROM OMNETICS CONNECTOR CORP.	
DFTM. ACW	DATE 04-23-15
CHK'D.	DATE
APP'D.	DATE
TITLE: (4-12) PIN MALE CIRCULAR CONNECTOR W/METAL SHELL	

**OMNETICS**  
CONNECTOR CORPORATION  
7260 COMMERCE CIRCLE EAST  
MINNEAPOLIS, MN 55432  
WWW.OMNETICS.COM

CAGE CODE 61873	REV
DWG NO. A90126-001	B
SHEET 4 OF 4	SCALE: 1:1