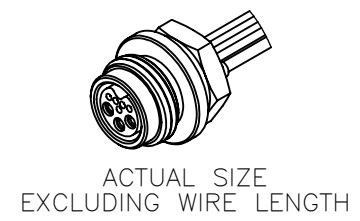
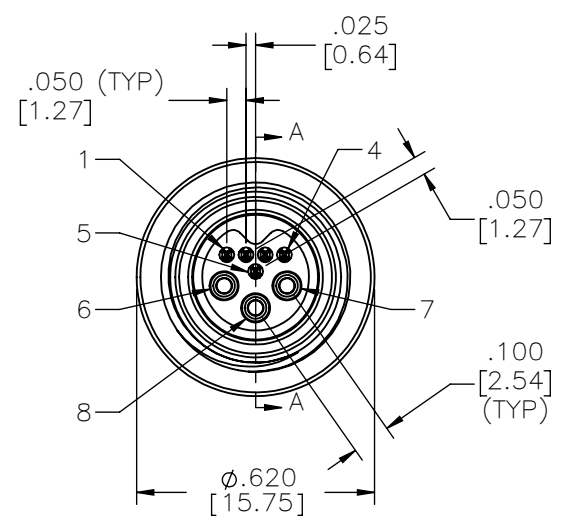
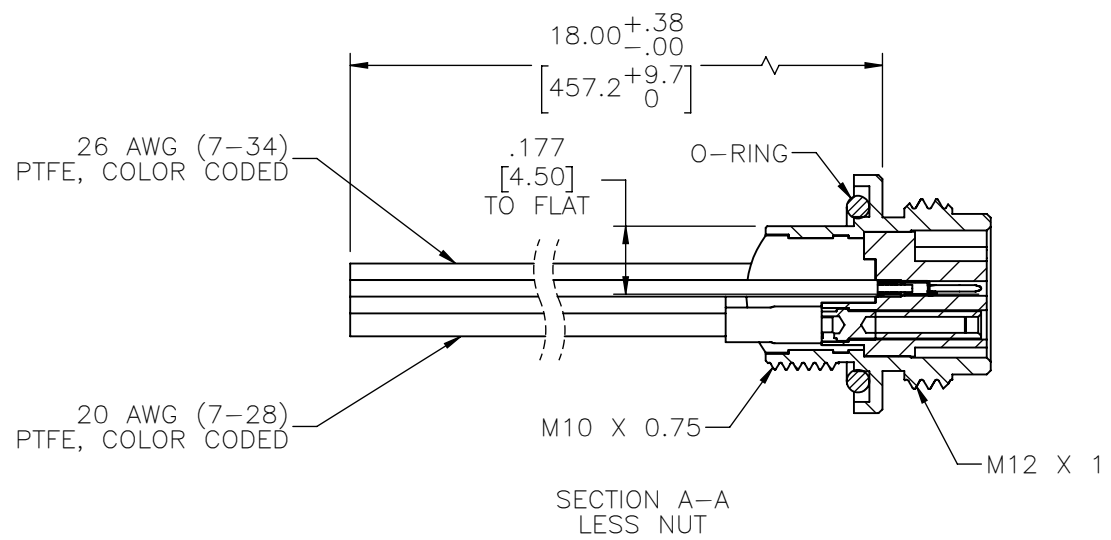
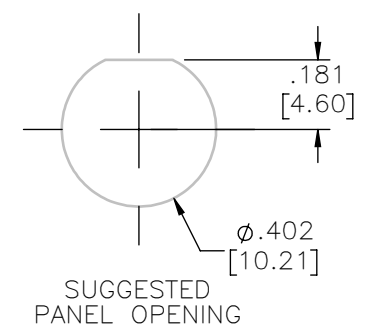
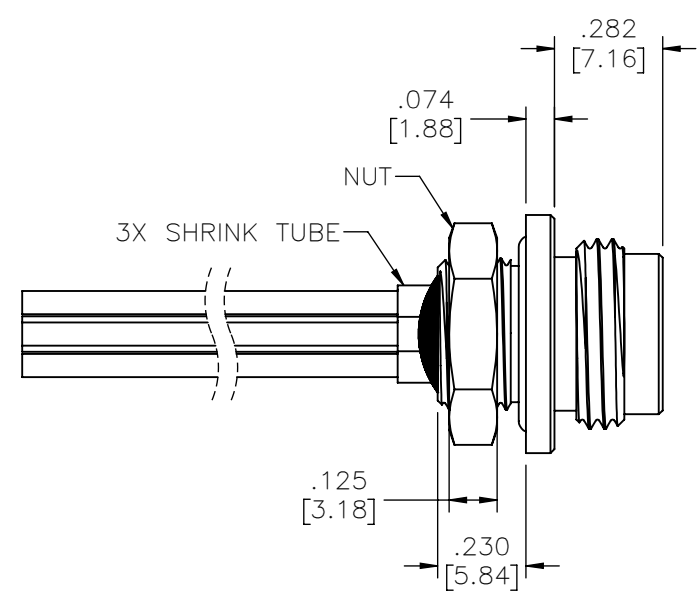


PART NO.	A90124-001	REV	ECO	DATE	APP
		A	103687	08-10-17	TLM



CONTACT #	COLOR	AWG
1	BLACK	26 AWG
2	BROWN	
3	RED	
4	ORANGE	
5	YELLOW	20 AWG
6	BLACK	
7	BROWN	
8	RED	



NOTE:  
DIMENSIONS IN [ ] ARE IN MILLIMETERS UNLESS OTHERWISE NOTED AND ARE FOR REFERENCE ONLY

MDCP SLDW	THIRD ANGLE	THIS DRAWING CONTAINS CONFIDENTIAL AND PROPRIETARY INFORMATION WHICH IS THE PROPERTY OF OMNETICS CONNECTOR CORP. THIS DOCUMENT MAY NOT, IN WHOLE OR IN PART, BE DUPLICATED, OR DISCLOSED FOR ANY PURPOSE, WITHOUT WRITTEN PERMISSION FROM OMNETICS CONNECTOR CORP.	
	-TOLERANCES-	DFTM. ACW	TITLE:
	UNLESS OTHERWISE NOTED	DATE 04-21-15	(3-5) PIN MALE MICRO
	DIMENSIONS IN INCHES	DATE	THREADED PANEL MOUNT
2 PL DEC ± .01	CHK'D.	APP'D.	SEALED CIRCULAR CONNECTOR
3 PL DEC ± .005	DATE		
4 PL DEC ± .0005	DATE		
ANGLES ± 1°			

**OMNETICS**  
CONNECTOR CORPORATION  
7260 COMMERCE CIRCLE EAST  
MINNEAPOLIS, MN 55432  
WWW.OMNETICS.COM

CAGE CODE 61873	REV
DWG NO. A90124-001	A
SHEET 1 OF 4	SCALE: 2:1