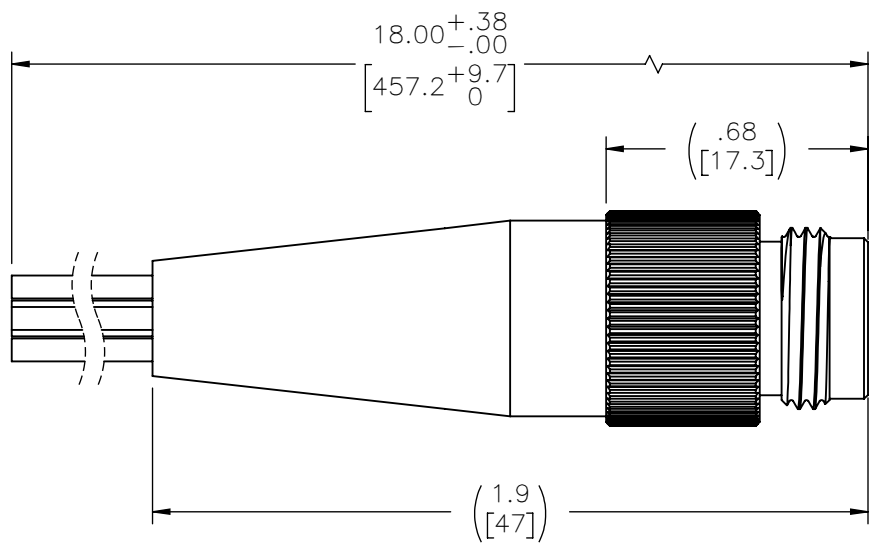
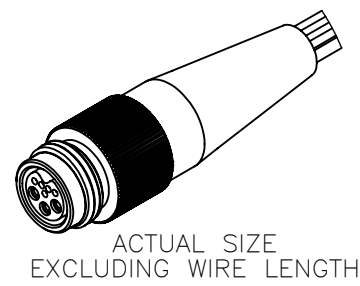
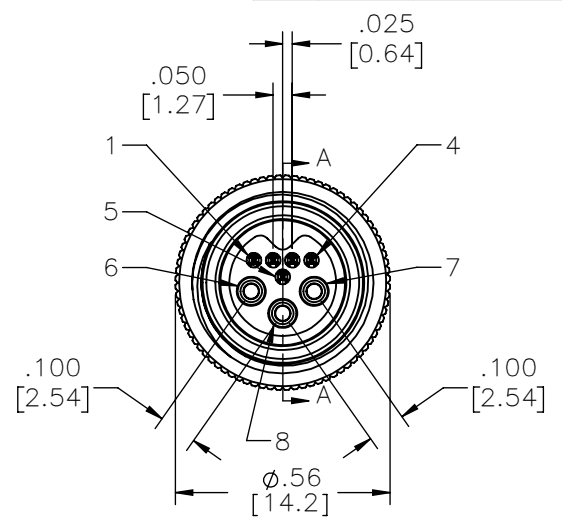
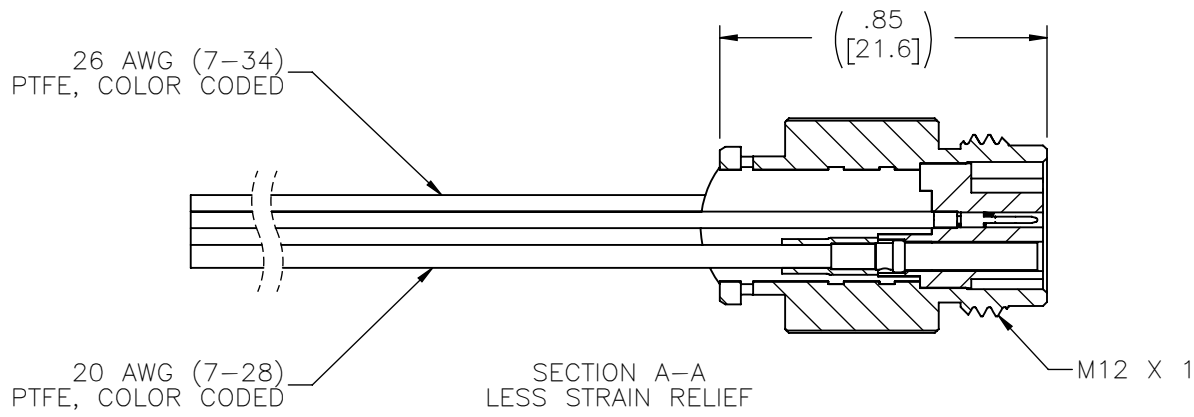


PART NO.	A90121-001	REV	ECO	DATE	APP
		A	103687	08-10-17	TLM



CONTACT #	COLOR	AWG
1	BLACK	26 AWG
2	BROWN	
3	RED	
4	ORANGE	
5	YELLOW	20 AWG
6	BLACK	
7	BROWN	
8	RED	

NOTE:
 DIMENSIONS IN [] ARE IN MILLIMETERS UNLESS OTHERWISE NOTED AND ARE FOR REFERENCE ONLY

MMCP SLDW	THIRD ANGLE
	-TOLERANCES-
	UNLESS OTHERWISE NOTED
	DIMENSIONS IN INCHES
2	PL DEC ± .01
3	PL DEC ± .005
4	PL DEC ± .0005
ANGLES ± 1°	

THIS DRAWING CONTAINS CONFIDENTIAL AND PROPRIETARY INFORMATION WHICH IS THE PROPERTY OF OMNETICS CONNECTOR CORP. THIS DOCUMENT MAY NOT, IN WHOLE OR IN PART, BE DUPLICATED, OR DISCLOSED FOR ANY PURPOSE, WITHOUT WRITTEN PERMISSION FROM OMNETICS CONNECTOR CORP.

DFTM. ACW DATE 04-22-15 TITLE: (3-5) PIN MALE CIRCULAR CONNECTOR W/METAL SHELL

CHK'D. DATE

APP'D. DATE

OMNETICS
 CONNECTOR CORPORATION
 7260 COMMERCE CIRCLE EAST
 MINNEAPOLIS, MN 55432
 WWW.OMNETICS.COM

CAGE CODE 61873
DWG NO. A90121-001
SHEET 1 OF 4
SCALE: 2:1
REV A