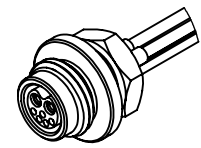
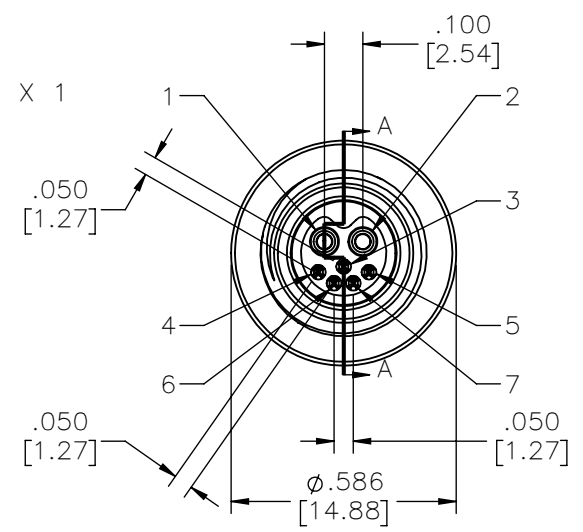
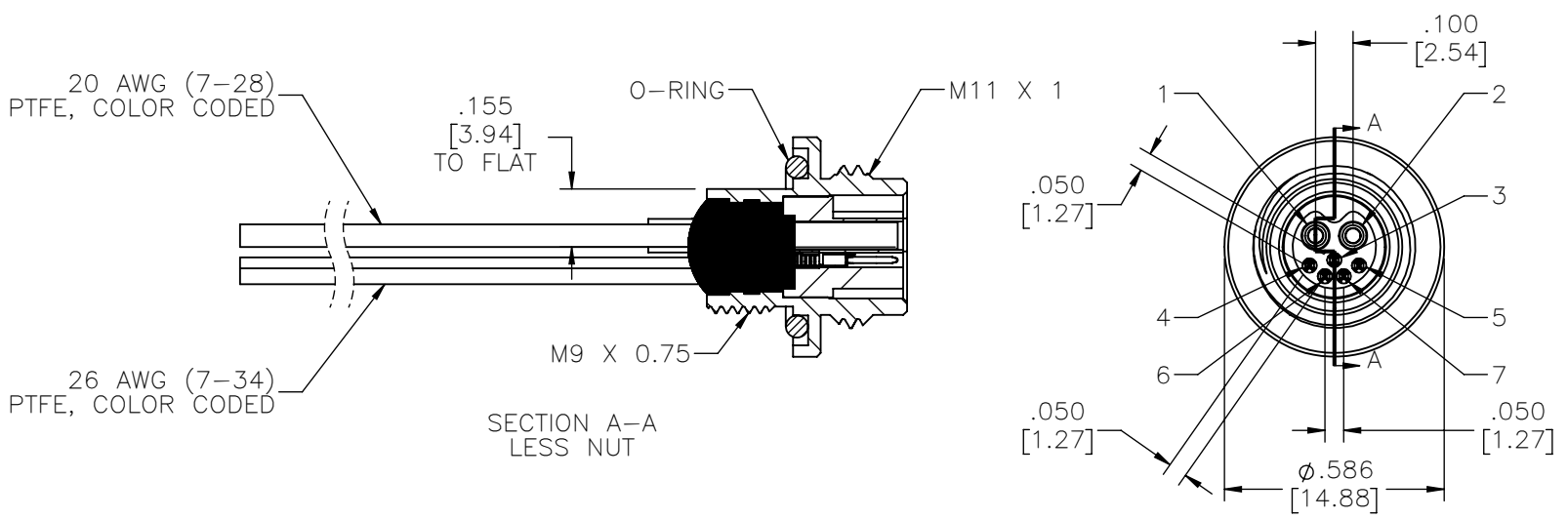
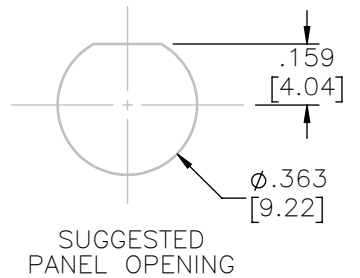
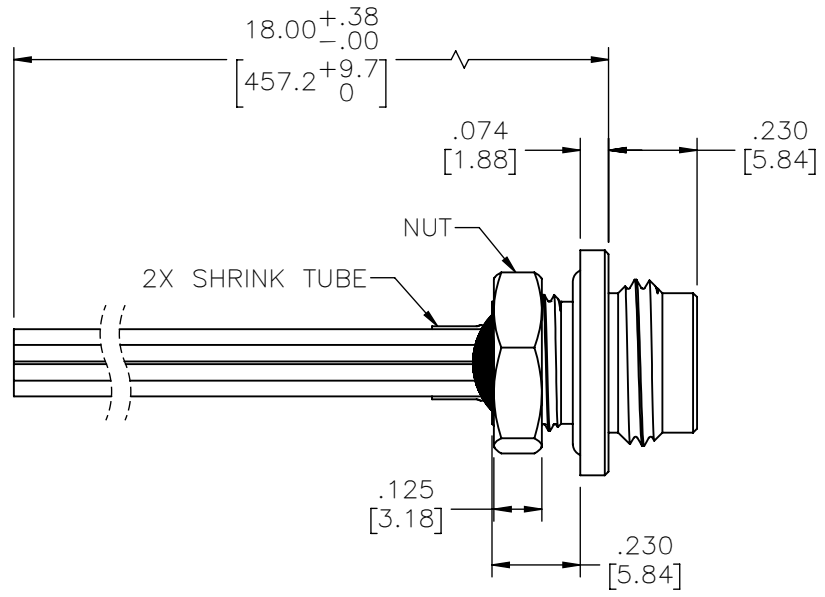


PART NO.	A90119-001	REV	ECO	DATE	APP
		A	103687	08-10-17	TLM



ACTUAL SIZE EXCLUDING WIRE LENGTH



CONTACT #	COLOR	AWG
1	BLACK	20 AWG
2	BROWN	
3	BLACK	26 AWG
4	BROWN	
5	RED	
6	ORANGE	
7	YELLOW	

NOTE:

DIMENSIONS IN [] ARE IN MILLIMETERS UNLESS OTHERWISE NOTED AND ARE FOR REFERENCE ONLY

MMCP SLDW	THIRD ANGLE
	-TOLERANCES-
	UNLESS OTHERWISE NOTED
	DIMENSIONS IN INCHES
2	PL DEC ± .01
3	PL DEC ± .005
4	PL DEC ± .0005
	ANGLES ± °

THIS DRAWING CONTAINS CONFIDENTIAL AND PROPRIETARY INFORMATION WHICH IS THE PROPERTY OF OMNETICS CONNECTOR CORP. THIS DOCUMENT MAY NOT, IN WHOLE OR IN PART, BE DUPLICATED, OR DISCLOSED FOR ANY PURPOSE, WITHOUT WRITTEN PERMISSION FROM OMNETICS CONNECTOR CORP.	
DFTM. ACW	DATE 04-20-15
CHK'D.	DATE
APP'D.	DATE
TITLE: (2-5) PIN MALE MICRO PROTRUDING PANEL MOUNT CIRCULAR CONNECTOR	

OMNETICS
CONNECTOR CORPORATION
7260 COMMERCE CIRCLE EAST
MINNEAPOLIS, MN 55432
WWW.OMNETICS.COM

CAGE CODE	61873
DWG NO.	A90119-001
SHEET 1 OF 4	REV A
SCALE: 2:1	