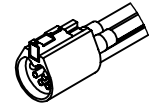
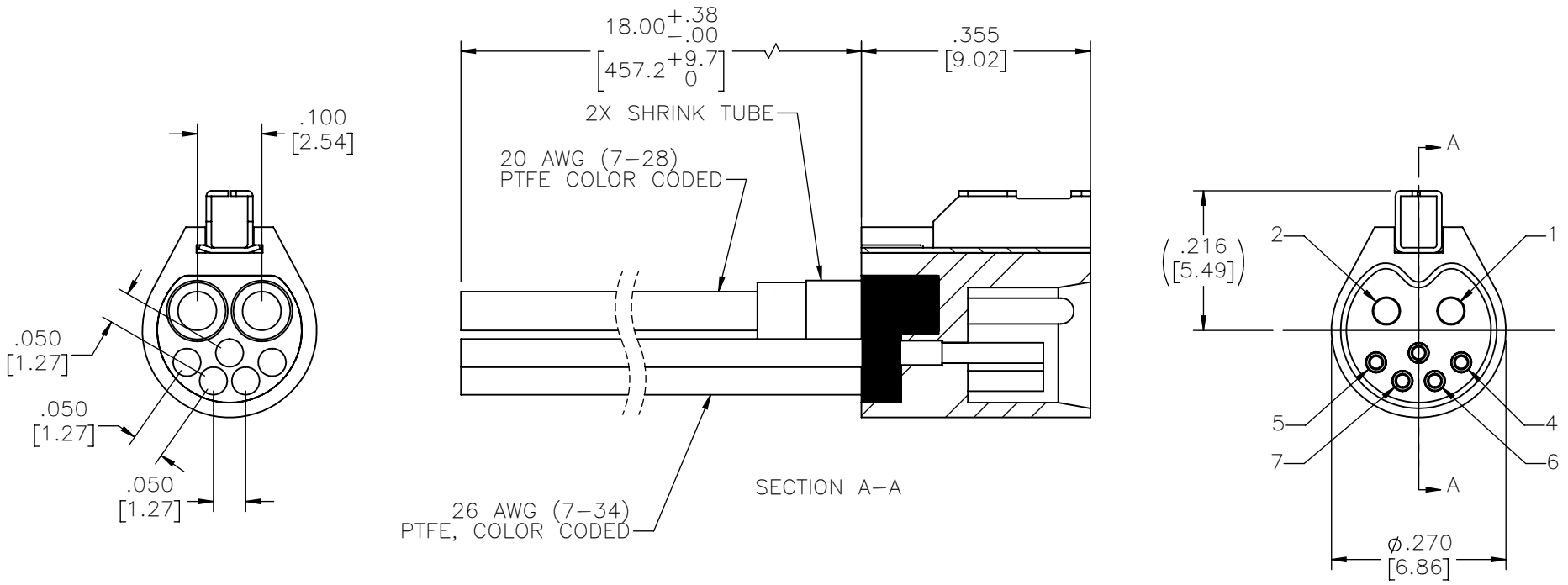


PART NO.	A90109-001	REV	ECO	DATE	APP
		B	102473	03-28-16	TLM

CONTACT #	COLOR	NOTES
1	BLACK	20 AWG
2	BROWN	
3	BLACK	26 AWG
4	BROWN	
5	RED	
6	ORANGE	
7	YELLOW	



ACTUAL SIZE  
EXCLUDING WIRE LENGTH



NOTE:  
DIMENSIONS IN [ ] ARE IN MILLIMETERS UNLESS OTHERWISE NOTED AND ARE FOR REFERENCE ONLY

MCS SLDW	THIRD ANGLE
	- TOLERANCES - UNLESS OTHERWISE NOTED
	DIMENSIONS IN INCHES
	2 PL DEC ± .01 3 PL DEC ± .005 4 PL DEC ± .0005 ANGLES ± 1°

THIS DRAWING CONTAINS CONFIDENTIAL AND PROPRIETARY INFORMATION WHICH IS THE PROPERTY OF OMNETICS CONNECTOR CORP. THIS DOCUMENT MAY NOT, IN WHOLE OR IN PART, BE DUPLICATED, OR DISCLOSED FOR ANY PURPOSE, WITHOUT WRITTEN PERMISSION FROM OMNETICS CONNECTOR CORP.

DFTM. ACW	DATE 12-11-14
CHK'D.	DATE
APP'D.	DATE

TITLE:  
**(2-5) CONTACT  
POWER/SIGNAL PLASTIC  
CIRCULAR CONNECTOR**

**OMNETICS**  
CONNECTOR CORPORATION  
7260 COMMERCE CIRCLE EAST  
MINNEAPOLIS, MN 55432  
WWW.OMNETICS.COM

CAGE CODE <b>61873</b>
DWG NO. <b>A90109-001</b>
SHEET 1 OF 4
SCALE: 4:1
REV B