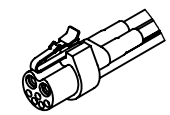
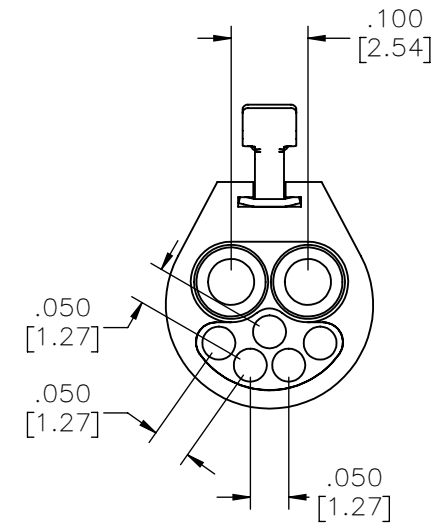
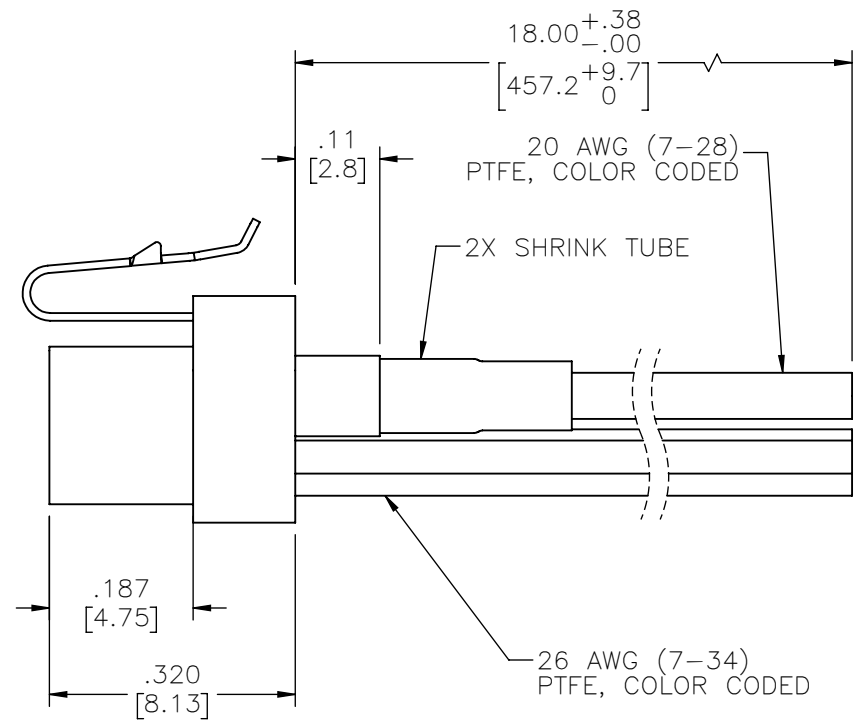
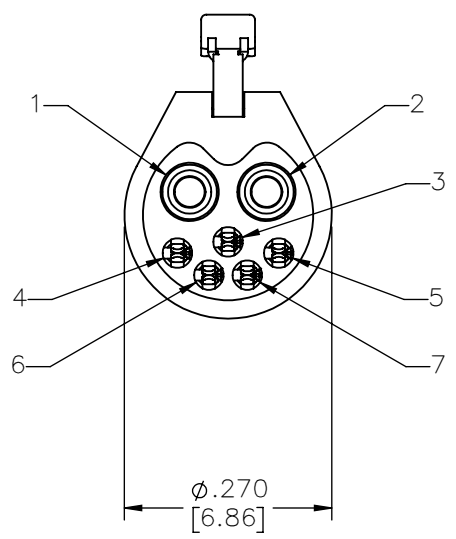


PART NO.	A90108-001	REV	ECO	DATE	APP
		B	102473	03-28-16	TLM

CONTACT #	COLOR	NOTES
1	BLACK	20 AWG
2	BROWN	
3	BLACK	26 AWG
4	BROWN	
5	RED	
6	ORANGE	
7	YELLOW	



ACTUAL SIZE
EXCLUDING WIRE LENGTH



NOTE:

DIMENSIONS IN [] ARE IN MILLIMETERS UNLESS OTHERWISE NOTED AND ARE FOR REFERENCE ONLY

MCP	THIRD ANGLE
	—TOLERANCES— UNLESS OTHERWISE NOTED
SLDW	DIMENSIONS IN INCHES
	2 PL DEC ± .01
	3 PL DEC ± .005
	4 PL DEC ± .0005
	ANGLES ± 1°

THIS DRAWING CONTAINS CONFIDENTIAL AND PROPRIETARY INFORMATION WHICH IS THE PROPERTY OF OMNETICS CONNECTOR CORP. THIS DOCUMENT MAY NOT, IN WHOLE OR IN PART, BE DUPLICATED, OR DISCLOSED FOR ANY PURPOSE, WITHOUT WRITTEN PERMISSION FROM OMNETICS CONNECTOR CORP.	
DFTM. ACW	DATE 12-12-14
CHK'D.	DATE
APP'D.	DATE
TITLE: (2-5) PIN MALE POWER/SIGNAL PLASTIC CIRCULAR CONNECTOR	

OMNETICS
CONNECTOR CORPORATION
7260 COMMERCE CIRCLE EAST
MINNEAPOLIS, MN 55432
WWW.OMNETICS.COM

CAGE CODE 61873
DWG NO. A90108-001
SHEET 1 OF 4
SCALE: 4:1
REV B