

MATERIALS & SPECIFICATIONS

INSULATOR
THERMOPLASTIC PER ASTM
D5138

CONTACT MATERIAL
PINS - BERYLLIUM
COPPER PER ASTM B194,
ALLOY C17200
SOCKET - COPPER ALLOY
PER MIL-DTL-32139

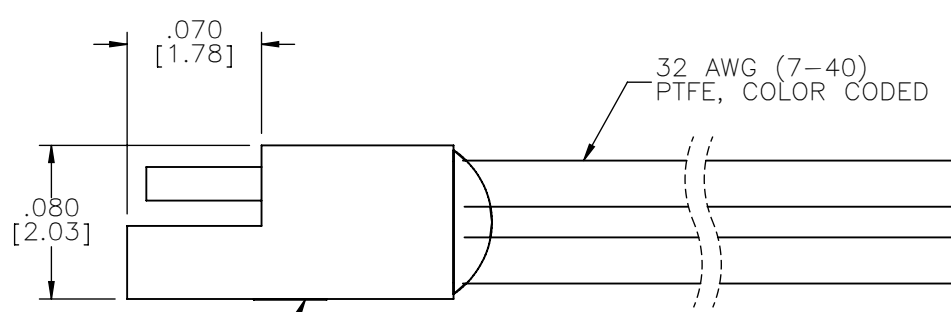
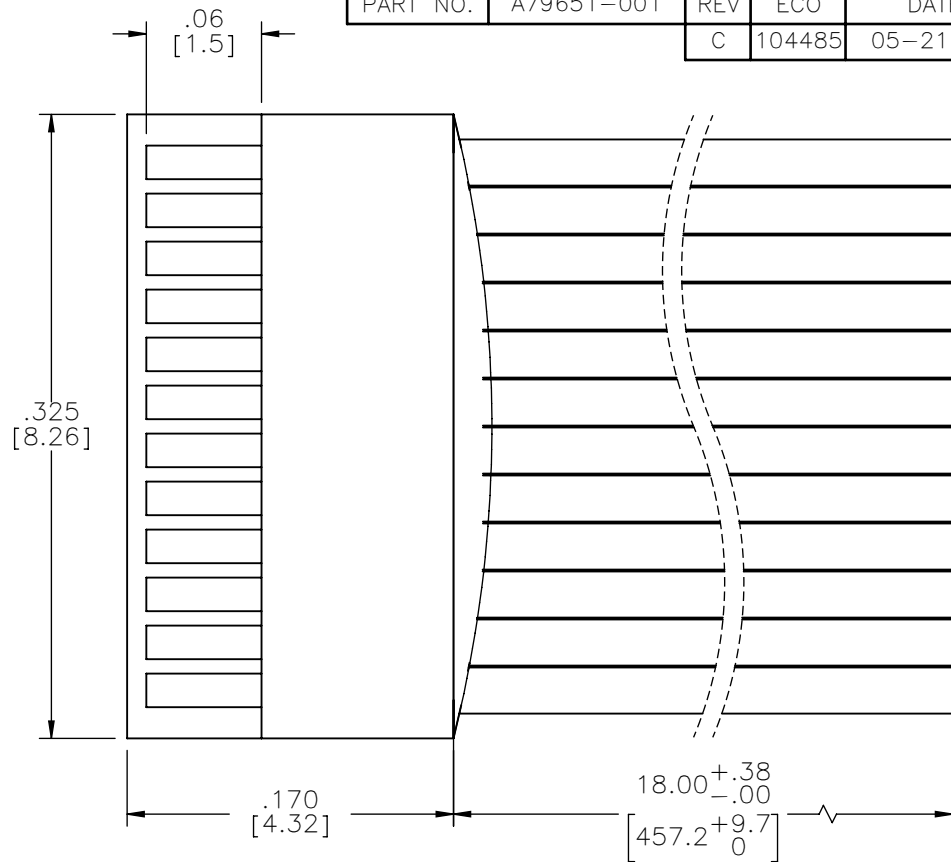
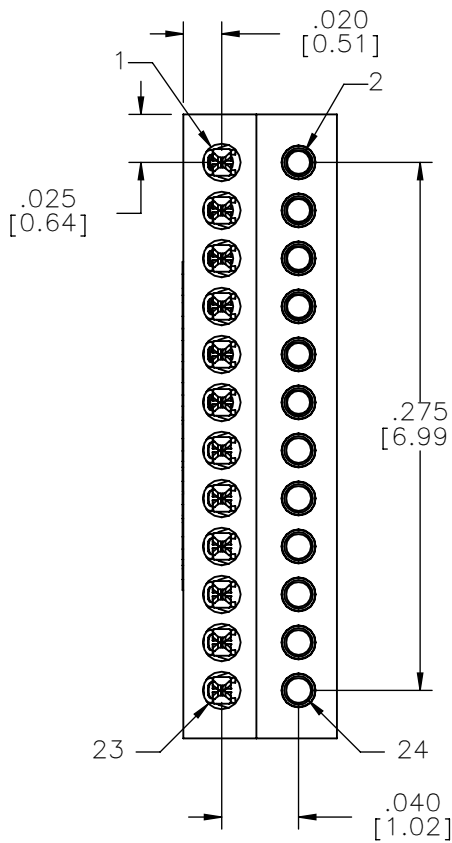
CONTACT FINISH
GOLD PLATE PER ASTM
B488, TYPE II (HARD
GOLD), CODE C, CLASS
1.27

WIRE
32 AWG, 7 STRAND, TYPE
ET PER NEMA HP3

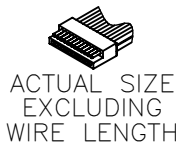
CURRENT RATING
1 AMP MAX PER MIL-
DTL-32139

CONTACT RESISTANCE
71 MILLIOHM MAX (71mV
DROP MAX) @ 1.0 AMPS
PER MIL-DTL-32139

PERFORMANCE
PRODUCT FAMILY TESTED
TO AND PASSED THE
PERFORMANCE
SPECIFICATIONS OF TABLE
VIII OF MIL-DTL-32139



CONTACT #	COLOR
1, 11, 21	BLACK
2, 12, 22	BROWN
3, 13, 23	RED
4, 14, 24	ORANGE
5, 15	YELLOW
6, 16	GREEN
7, 17	BLUE
8, 18	VIOLET
9, 19	GRAY
10, 20	WHITE



INTERNAL USE ONLY
SHEET 2 OF 2 IS
MANUFACTURING
LOADING DIAGRAM

DATECODE MARKING
"YYWW" THIS SIDE

RoHS

NOTE:

DIMENSIONS IN [] ARE IN
MILLIMETERS UNLESS
OTHERWISE NOTED AND ARE
FOR REFERENCE ONLY

MCTS NZN	THIRD ANGLE
	-TOLERANCES-
	UNLESS OTHERWISE NOTED
	DIMENSIONS IN INCHES
2 PL DEC ± .01	
3 PL DEC ± .005	
4 PL DEC ± .0005	
ANGLES ± 1°	

THIS DRAWING CONTAINS CONFIDENTIAL AND PROPRIETARY INFORMATION WHICH IS THE PROPERTY OF OMNETICS CONNECTOR CORP. THIS DOCUMENT MAY NOT, IN WHOLE OR IN PART, BE DUPLICATED, OR DISCLOSED FOR ANY PURPOSE, WITHOUT WRITTEN PERMISSION FROM OMNETICS CONNECTOR CORP.	
DFTM. MJM	DATE 04-12-13
CHK'D.	DATE
APP'D.	DATE

TITLE: (24) CONTACT POLARIZED MALE/FEMALE NANO CONNECTOR

OMNETICS
CONNECTOR CORPORATION
7260 COMMERCE CIRCLE EAST
MINNEAPOLIS, MN 55432
WWW.OMNETICS.COM

CAGE CODE 61873
DWG NO. A79651-001
SHEET 1 OF 2
SCALE: 10:1
REV C

PART NO. A79651-001	REV C	ECO 104485	DATE 05-21-18	APP TLM
---------------------	-------	------------	---------------	---------