

|          |            |     |        |          |     |
|----------|------------|-----|--------|----------|-----|
| PART NO. | A79647-001 | REV | ECO    | DATE     | APP |
|          |            | B   | 101562 | 05-08-15 | TLM |

MATERIALS & SPECIFICATIONS

INSULATORS  
THERMOPLASTIC PER ASTM  
D5138

CONTACT MATERIAL  
PINS - BERYLLIUM COPPER  
PER ASTM B194, ALLOY  
C17200  
SOCKET - COPPER ALLOY  
PER MIL-DTL-32139

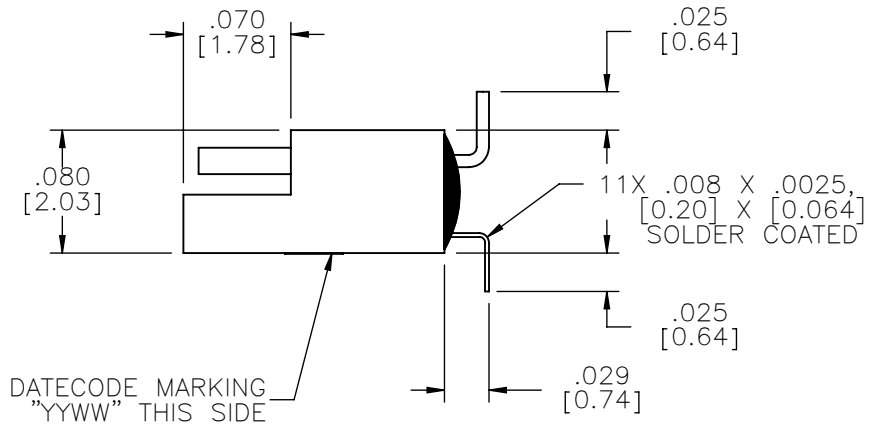
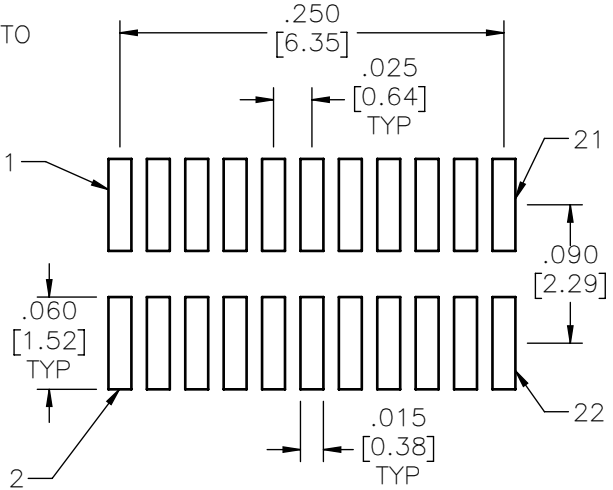
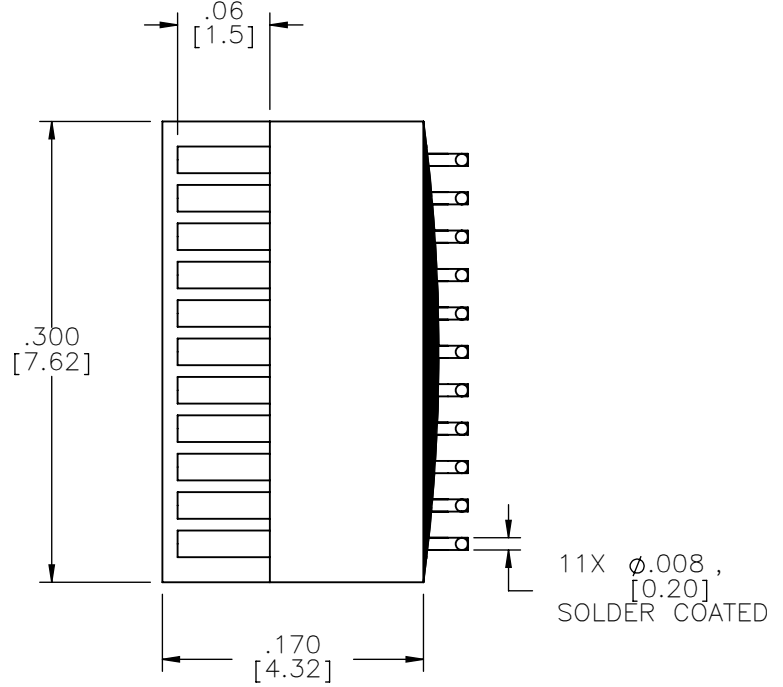
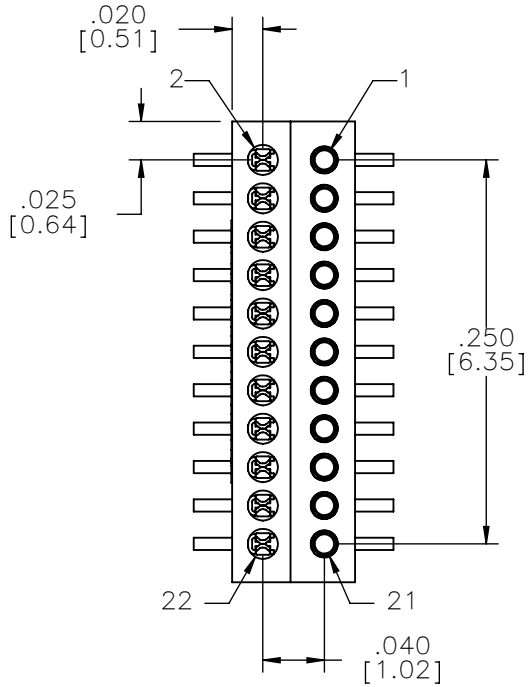
CONTACT FINISH  
GOLD PLATE PER ASTM  
B488, TYPE II (HARD GOLD),  
CODE C, CLASS 1.27

TERMINATION FINISH  
SOLDER COATED WITH SN63  
PER J-STD-006 OR SN60  
PER AMS-P-81728

CURRENT RATING  
1 AMP PER MIL-DTL-32139

CONTACT RESISTANCE  
71 MILLIOHM MAX (71mV  
DROP MAX) @ 1.0 AMPS  
PER MIL-DTL-32139

PERFORMANCE  
PRODUCT FAMILY TESTED TO  
AND PASSED THE  
PERFORMANCE  
SPECIFICATIONS OF TABLE  
VIII OF MIL-DTL-32139



SUGGESTED PAD LAYOUT

NOTE:  
DIMENSIONS IN [ ] ARE IN  
MILLIMETERS UNLESS  
OTHERWISE NOTED AND ARE  
FOR REFERENCE ONLY

|                  |                        |  |          |   |
|------------------|------------------------|--|----------|---|
| PZN<br>MCTS      | THIRD ANGLE            | THIS DRAWING CONTAINS CONFIDENTIAL AND PROPRIETARY INFORMATION WHICH IS THE PROPERTY OF OMNETICS CONNECTOR CORP. THIS DOCUMENT MAY NOT, IN WHOLE OR IN PART, BE DUPLICATED, OR DISCLOSED FOR ANY PURPOSE, WITHOUT WRITTEN PERMISSION FROM OMNETICS CONNECTOR CORP. | DATE     | TITLE:<br>(22) CONTACT POLARIZED<br>MALE/FEMALE<br>NANO CONNECTOR |
|                  | -TOLERANCES-           |  | 04-12-13 |   |
|                  | UNLESS OTHERWISE NOTED |  | DATE     |   |
|                  | DIMENSIONS IN INCHES   |  | DATE     |   |
| 2 PL DEC ± .01   | DFTM. JMJ              |  |          |   |
| 3 PL DEC ± .005  | CHK'D.                 |  |          |   |
| 4 PL DEC ± .0005 | APP'D.                 |  |          |   |
| ANGLES ± 1°      |                        |  |          |   |

**OMNETICS**  
CONNECTOR CORPORATION  
7260 COMMERCE CIRCLE EAST  
MINNEAPOLIS, MN 55432  
WWW.OMNETICS.COM

|                              |
|------------------------------|
| CAGE CODE <b>61873</b>       |
| DWG NO.<br><b>A79647-001</b> |
| SHEET 1 OF 1                 |
| SCALE: 8:1                   |
| REV<br>B                     |