

MATERIALS & SPECIFICATIONS

INSULATORS
THERMOPLASTIC PER ASTM
D5138

CONTACT MATERIAL
PINS - BERYLLIUM COPPER
PER ASTM B194, ALLOY
C17200
SOCKET - COPPER ALLOY
PER MIL-DTL-32139

CONTACT FINISH
GOLD PLATE PER ASTM
B488, TYPE II (HARD GOLD),
CODE C, CLASS 1.27

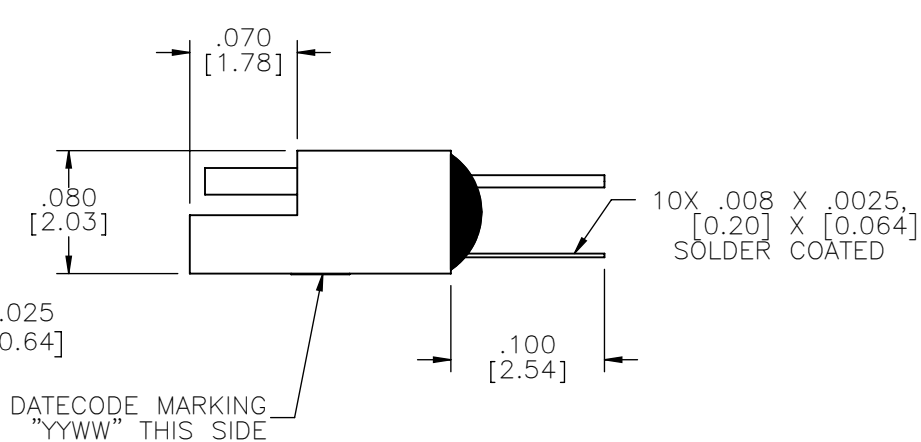
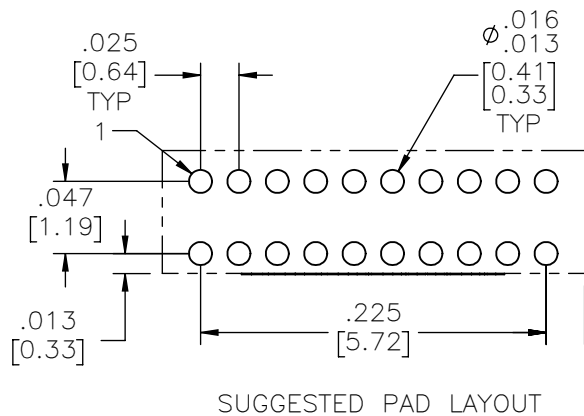
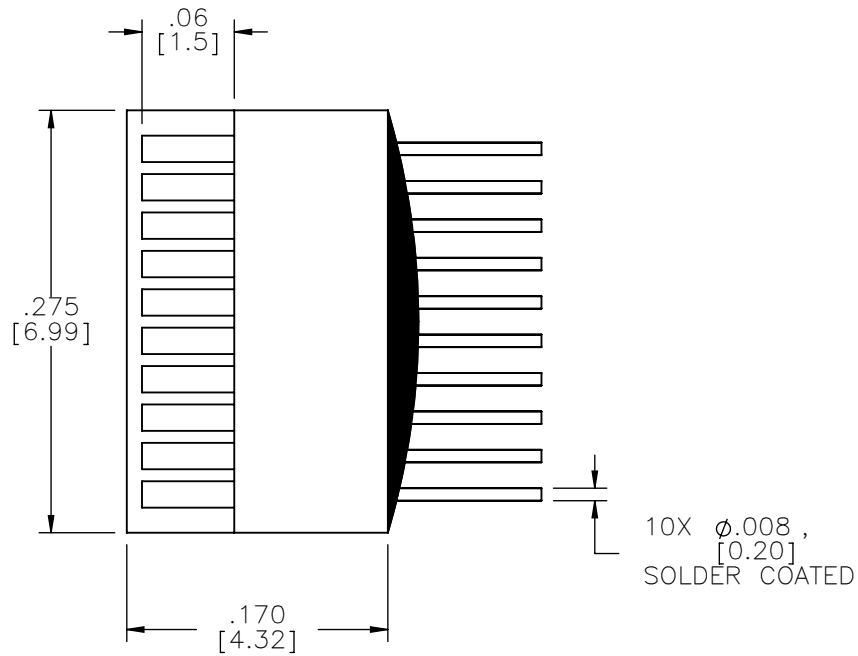
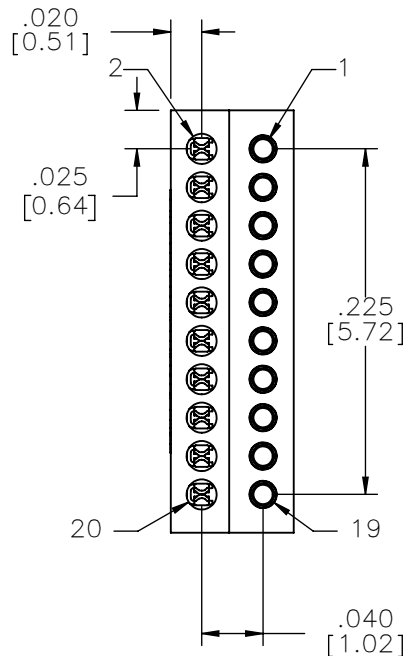
TERMINATION FINISH
SOLDER COATED WITH SN63
PER J-STD-006 OR SN60
PER AMS-P-81728

CURRENT RATING
1 AMP PER MIL-DTL-32139

CONTACT RESISTANCE
71 MILLIOHM MAX (71mV
DROP MAX) @ 1.0 AMPS
PER MIL-DTL-32139

PERFORMANCE
PRODUCT FAMILY TESTED TO
AND PASSED THE
PERFORMANCE
SPECIFICATIONS OF TABLE
VIII OF MIL-DTL-32139

PART NO.	A79644-001	REV	ECO	DATE	APP
		B	101562	05-08-15	TLM



ACTUAL SIZE

NOTE:

DIMENSIONS IN [] ARE IN
MILLIMETERS UNLESS
OTHERWISE NOTED AND ARE
FOR REFERENCE ONLY

PZN	THIRD ANGLE	THIS DRAWING CONTAINS CONFIDENTIAL AND PROPRIETARY INFORMATION WHICH IS THE PROPERTY OF OMNETICS CONNECTOR CORP. THIS DOCUMENT MAY NOT, IN WHOLE OR IN PART, BE DUPLICATED, OR DISCLOSED FOR ANY PURPOSE, WITHOUT WRITTEN PERMISSION FROM OMNETICS CONNECTOR CORP.	
	-TOLERANCES-	DFTM. JMJ	DATE 04-12-13
	UNLESS OTHERWISE NOTED	CHK'D.	DATE
	DIMENSIONS IN INCHES	APP'D.	DATE
2 PL DEC ± .01		TITLE: (20) CONTACT POLARIZED	
3 PL DEC ± .005		MALE/FEMALE	
4 PL DEC ± .0005		NANO CONNECTOR	
ANGLES ± 1°			

OMNETICS
CONNECTOR CORPORATION
7260 COMMERCE CIRCLE EAST
MINNEAPOLIS, MN 55432
WWW.OMNETICS.COM

CAGE CODE 61873	
DWG NO. A79644-001	
SHEET 1 OF 1	REV B
SCALE: 8:1	