

MATERIALS & SPECIFICATIONS

INSULATORS
THERMOPLASTIC PER ASTM
D5138

CONTACT MATERIAL
PINS - BERYLLIUM
COPPER PER ASTM B194,
ALLOY C17200
SOCKET - COPPER ALLOY
PER MIL-DTL-32139

CONTACT FINISH
GOLD PLATE PER ASTM
B488, TYPE II (HARD
GOLD), CODE C, CLASS
1.27

TERMINATION FINISH
SOLDER COATED WITH
SN63 PER J-STD-006 OR
SN60 PER AMS-P-81728

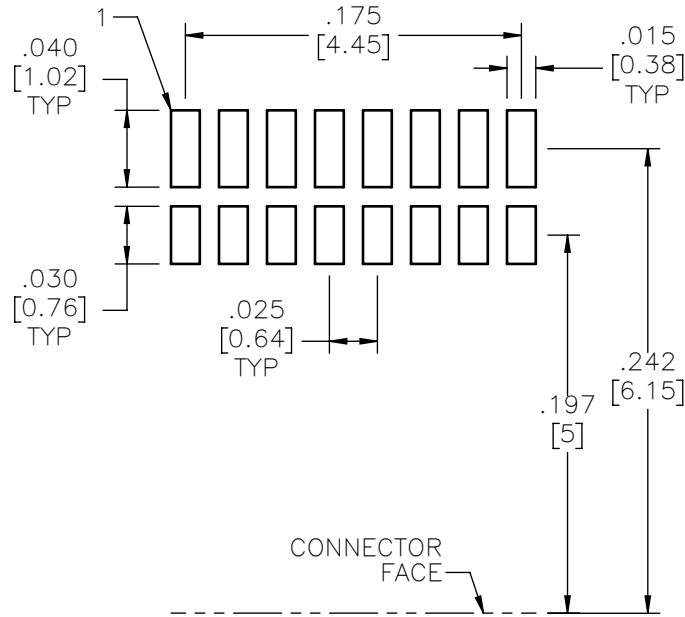
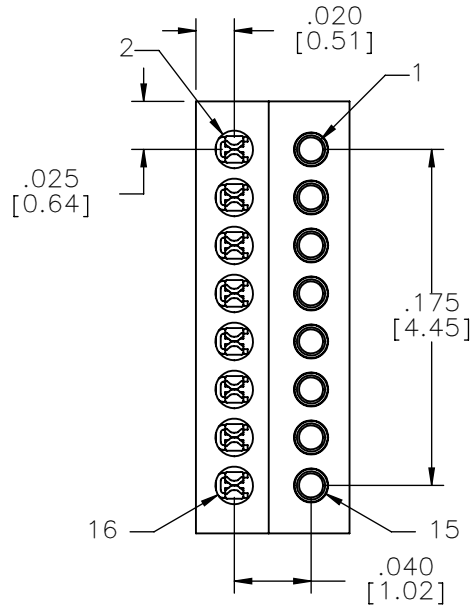
CURRENT RATING
1 AMP PER MIL-DTL-
32139

CONTACT RESISTANCE
71 MILLIOHM MAX (71mV
DROP MAX) @ 1.0 AMPS
PER MIL-DTL-32139

PERFORMANCE
PRODUCT FAMILY TESTED
TO AND PASSED THE
PERFORMANCE
SPECIFICATIONS OF TABLE
VIII OF MIL-DTL-32139

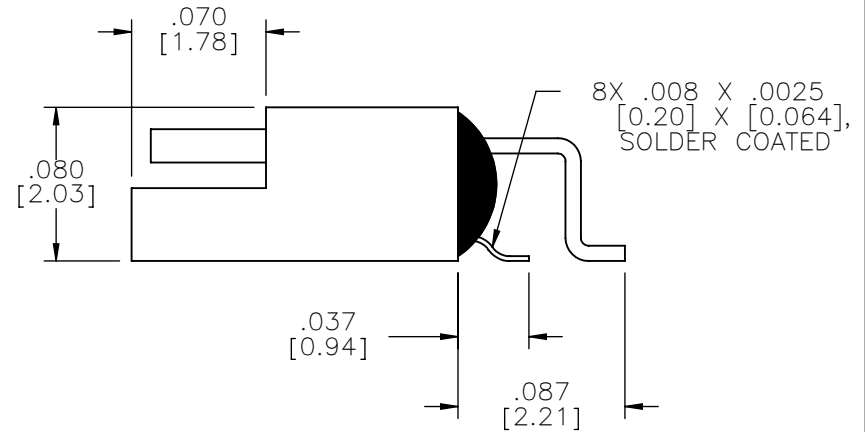
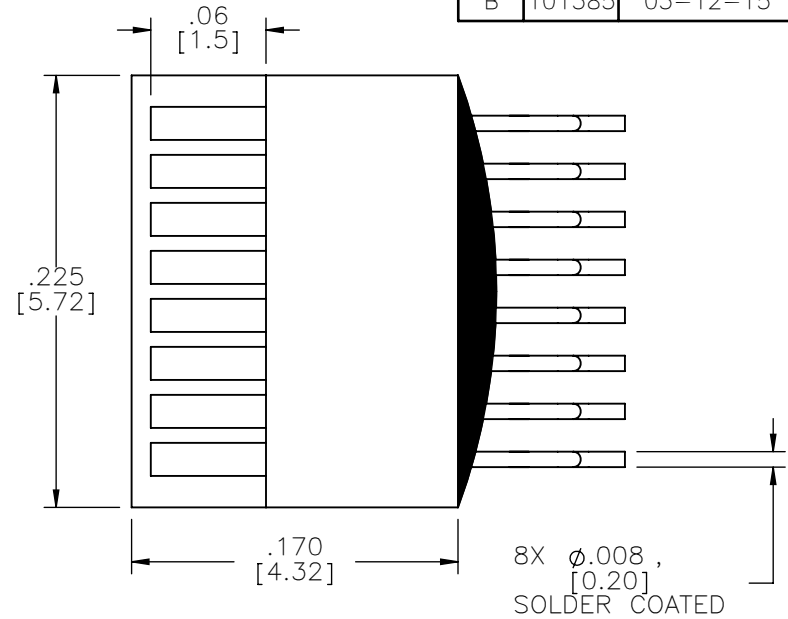


ACTUAL SIZE



SUGGESTED PAD LAYOUT

PART NO.	A79633-001	REV	ECO	DATE	APP
		B	101385	03-12-15	TLM



NOTE:

DIMENSIONS IN [] ARE IN
MILLIMETERS UNLESS
OTHERWISE NOTED AND ARE
FOR REFERENCE ONLY

PZN	THIRD ANGLE
	-TOLERANCES-
MGTS	UNLESS OTHERWISE NOTED
	DIMENSIONS IN INCHES
	2 PL DEC ± .01
	3 PL DEC ± .005
	4 PL DEC ± .0005
	ANGLES ± 1°

THIS DRAWING CONTAINS CONFIDENTIAL AND PROPRIETARY INFORMATION WHICH IS THE PROPERTY OF OMNETICS CONNECTOR CORP. THIS DOCUMENT MAY NOT, IN WHOLE OR IN PART, BE DUPLICATED, OR DISCLOSED FOR ANY PURPOSE, WITHOUT WRITTEN PERMISSION FROM OMNETICS CONNECTOR CORP.	
DFTM. JMJ	DATE 04-12-13
CHK'D.	DATE
APP'D.	DATE

TITLE:
**(16) CONTACT POLARIZED
MALE/FEMALE
NANO CONNECTOR**

OMNETICS
CONNECTOR CORPORATION
7260 COMMERCE CIRCLE EAST
MINNEAPOLIS, MN 55432
WWW.OMNETICS.COM

CAGE CODE 61873	
DWG NO. A79633-001	
SHEET 1 OF 1	REV B
SCALE: 10:1	