

|          |            |     |        |          |     |
|----------|------------|-----|--------|----------|-----|
| PART NO. | A79606-001 | REV | ECO    | DATE     | APP |
|          |            | D   | 104492 | 05-22-18 | HV  |

MATERIALS & SPECIFICATIONS

INSULATOR  
THERMOPLASTIC PER ASTM  
D5138

CONTACT MATERIAL  
PINS - BERYLLIUM  
COPPER PER ASTM B194,  
ALLOY C17200

SOCKET - COPPER ALLOY  
PER MIL-DTL-32139

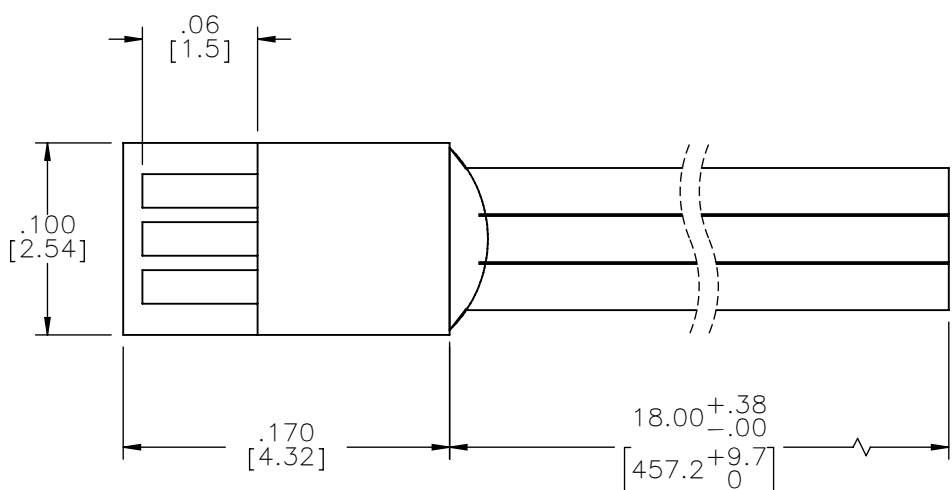
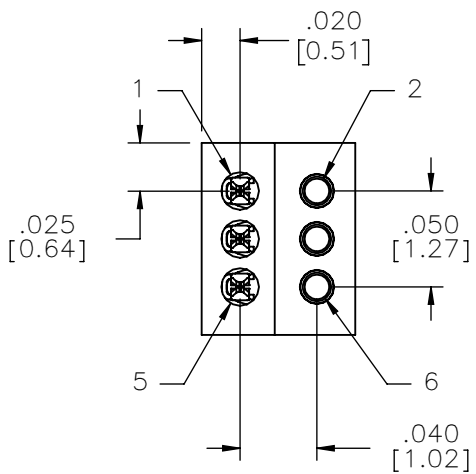
CONTACT FINISH  
GOLD PLATE PER ASTM  
B488, TYPE II (HARD  
GOLD), CODE C, CLASS  
1.27

WIRE  
32 AWG, 7 STRAND, TYPE  
ET PER NEMA HP3

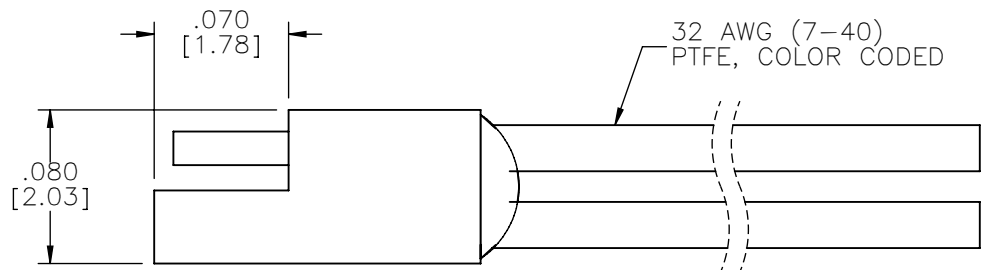
CURRENT RATING  
1 AMP MAX PER MIL-  
DTL-32139

CONTACT RESISTANCE  
71 MILLIOHM MAX (71mV  
DROP MAX) @ 1.0 AMPS  
PER MIL-DTL-32139

PERFORMANCE  
PRODUCT FAMILY TESTED  
TO AND PASSED THE  
PERFORMANCE  
SPECIFICATIONS OF TABLE  
VIII OF MIL-DTL-32139



| CONTACT # | COLOR  |
|-----------|--------|
| 1         | BLACK  |
| 2         | BROWN  |
| 3         | RED    |
| 4         | ORANGE |
| 5         | YELLOW |
| 6         | GREEN  |



ACTUAL SIZE  
EXCLUDING WIRE  
LENGTH

INTERNAL USE ONLY  
SHEET 2 OF 2 IS  
MANUFACTURING  
LOADING DIAGRAM

**RoHS**

NOTE:  
DIMENSIONS IN [ ] ARE IN  
MILLIMETERS UNLESS  
OTHERWISE NOTED AND ARE  
FOR REFERENCE ONLY

|      |                        |  |                  |  |                 |                       |
|------|------------------------|--|------------------|--|-----------------|-----------------------|
| PZN  | THIRD ANGLE            | THIS DRAWING CONTAINS CONFIDENTIAL AND PROPRIETARY INFORMATION WHICH IS THE PROPERTY OF OMNETICS CONNECTOR CORP. THIS DOCUMENT MAY NOT, IN WHOLE OR IN PART, BE DUPLICATED, OR DISCLOSED FOR ANY PURPOSE, WITHOUT WRITTEN PERMISSION FROM OMNETICS CONNECTOR CORP. | DATE<br>08-24-09 | TITLE:<br>(6) CONTACT POLARIZED<br>MALE/FEMALE<br>NANO CONNECTOR       | CAGE CODE 61873 | DWG NO.<br>A79606-001 |
|      | -TOLERANCES-           |  |                  |  |                 |                       |
| MCTS | UNLESS OTHERWISE NOTED | DFTM. NJS  | DATE             | 7260 COMMERCE CIRCLE EAST<br>MINNEAPOLIS, MN 55432<br>WWW.OMNETICS.COM | SHEET 1 OF 2    | REV<br>D              |
|      | DIMENSIONS IN INCHES   | CHK'D.   | DATE             |  |                 |                       |
|      | 2 PL DEC ± .01         | APP'D.   | DATE             |  | SCALE: 10:1     |                       |
|      | 3 PL DEC ± .005        |  |                  |  |                 |                       |
|      | 4 PL DEC ± .0005       |  |                  |  |                 |                       |
|      | ANGLES ± 1°            |  |                  |  |                 |                       |