

MATERIALS & SPECIFICATIONS

INSULATOR:
 THERMOPLASTIC PER MIL-M-24519, TYPE GLCP-30F OR GST-40F NATURAL

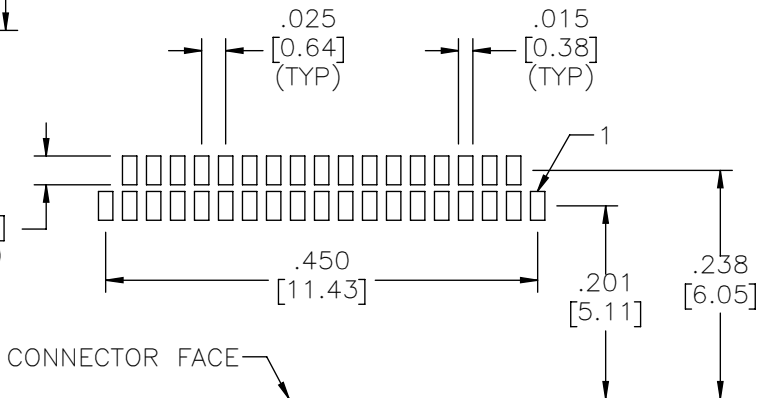
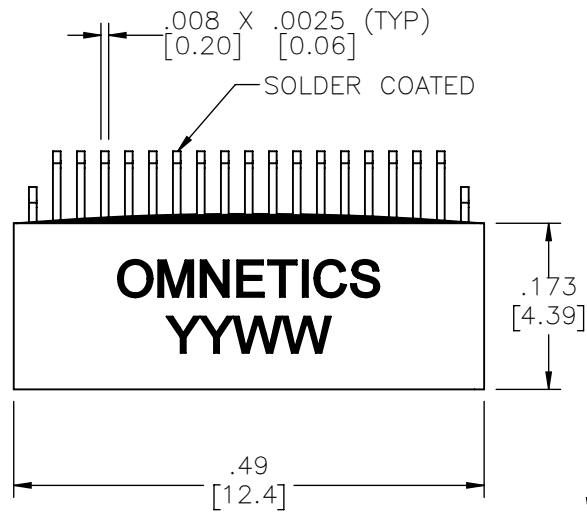
CONTACT:
 BERYLLIUM COPPER PER ASTM B194, C17200.
 GOLD PLATED PER ASTM B488, (HARD GOLD) TYPE II CODE C CLASS 1.27

TERMINATION:
 SOLDER COATED PER J-STD-006 OR PLATED PER AMS-P-81728

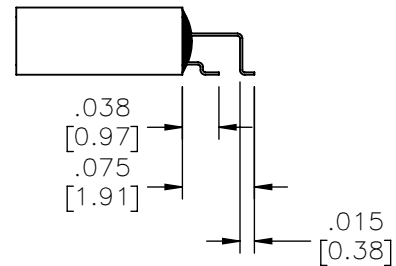
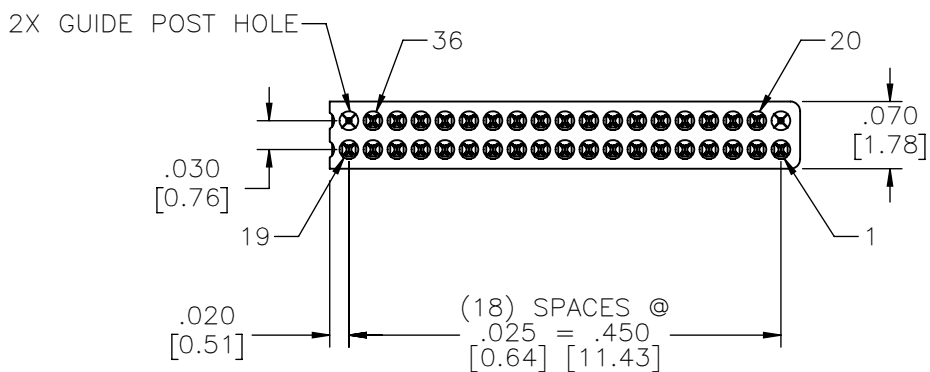
CURRENT CAPACITY:
 1 AMP MAX PER MIL-DTL-32139

CONTACT RESISTANCE:
 71 MILLIOHMS (71mV) MAX @ 1.0 AMPS PER MIL-DTL-32139

PART NO.	A79048-001	REV	ECO	DATE	APP
		C	106094	01-15-2020	HV



SUGGESTED PAD LAYOUT



NOTE:
 DIMENSIONS IN [] ARE IN MILLIMETERS UNLESS OTHERWISE NOTED AND ARE FOR REFERENCE ONLY

MFG CND SOLD	THIRD ANGLE	THIS DRAWING CONTAINS CONFIDENTIAL AND PROPRIETARY INFORMATION WHICH IS THE PROPERTY OF OMNETICS CONNECTOR CORP. THIS DOCUMENT MAY NOT, IN WHOLE OR IN PART, BE DUPLICATED, OR DISCLOSED FOR ANY PURPOSE, WITHOUT WRITTEN PERMISSION FROM OMNETICS CONNECTOR CORP.	
	-TOLERANCES-	DFTM. DGJ	DATE 09-12-11
	UNLESS OTHERWISE NOTED	CHK'D.	DATE
	DIMENSIONS IN INCHES	APP'D.	DATE
2 PL DEC ± .01	TITLE: (36) PIN MALE NANO DUAL ROW CONNECTOR W/GUIDE POST HOLES		
3 PL DEC ± .005			
4 PL DEC ± .0005			
ANGLES ± 1°			

OMNETICS
 CONNECTOR CORPORATION
 7260 COMMERCE CIRCLE EAST
 MINNEAPOLIS, MN 55432
 WWW.OMNETICS.COM

CAGE CODE 61873	
DWG NO. A79048-001	
SHEET 1 OF 1	REV C
SCALE: 5:1	