

MATERIALS & SPECIFICATIONS

INSULATOR:  
THERMOPLASTIC PER MIL-M-24519 OR ASTM D5138

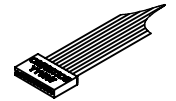
CONTACT:  
BERYLLIUM COPPER PER ASTM B194, C17200. GOLD PLATED PER ASTM B488, (HARD GOLD) TYPE II CODE C CLASS 1.27

TERMINATION:  
34 AWG (7-42) PTFE, COLOR CODED PER TABLE

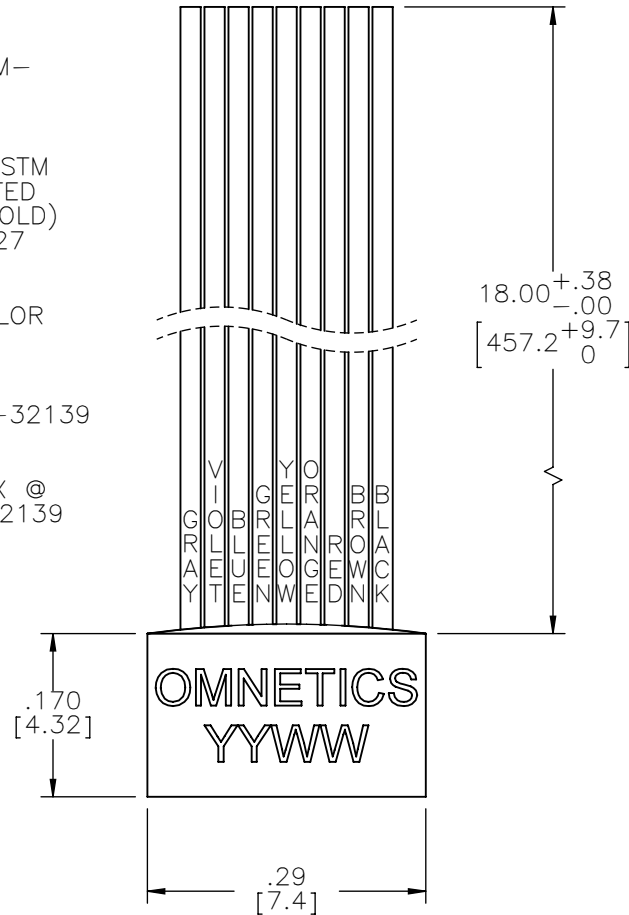
CURRENT CAPACITY:  
1 AMP MAX PER MIL-DTL-32139

CONTACT RESISTANCE:  
71 MILLIOHMS (71mV) MAX @ 1.0 AMPS PER MIL-DTL-32139

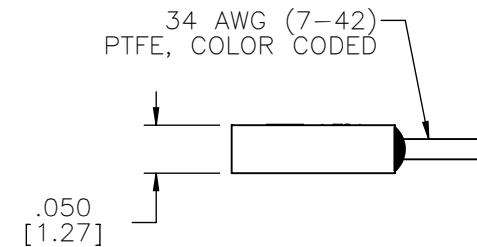
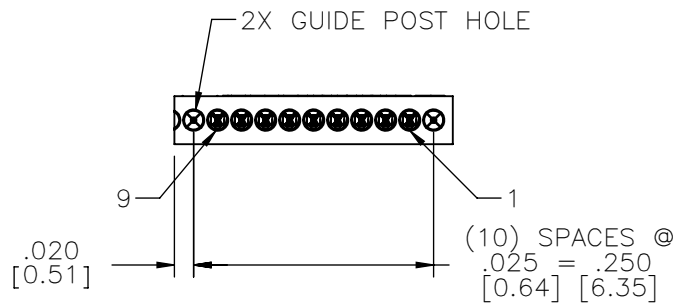
PART NO.	A79004-001	REV	ECO	DATE	APP
		D	107034	02-12-2021	ARJ



ACTUAL SIZE EXCLUDING WIRE LENGTH



PIN #	COLOR
1	BLACK
2	BROWN
3	RED
4	ORANGE
5	YELLOW
6	GREEN
7	BLUE
8	VIOLET
9	GRAY



**RoHS**

NOTE:  
DIMENSIONS IN [ ] ARE IN MILLIMETERS UNLESS OTHERWISE NOTED AND ARE FOR REFERENCE ONLY

MPLS SLDW	THIRD ANGLE	THIS DRAWING CONTAINS CONFIDENTIAL AND PROPRIETARY INFORMATION WHICH IS THE PROPERTY OF OMNETICS CONNECTOR CORP. THIS DOCUMENT MAY NOT, IN WHOLE OR IN PART, BE DUPLICATED, OR DISCLOSED FOR ANY PURPOSE, WITHOUT WRITTEN PERMISSION FROM OMNETICS CONNECTOR CORP.
	-TOLERANCES-	
	UNLESS OTHERWISE NOTED DIMENSIONS IN INCHES	
	2 PL DEC ± .01 3 PL DEC ± .005 4 PL DEC ± .0005 ANGLES ± 1°	
TITLE: (9) PIN MALE NANO CONNECTOR W/GUIDE POST HOLES		DATE: 09-17-08
DFTM. TLM		

**OMNETICS**  
CONNECTOR CORPORATION  
7260 COMMERCE CIRCLE EAST  
MINNEAPOLIS, MN 55432  
WWW.OMNETICS.COM

DWG NO.	CAGE CODE	61873
A79004-001		
SHEET 1 OF 1	SCALE: 5:1	REV D