

MATERIALS & SPECIFICATIONS

PART NO.	A79003-001	REV	ECO	DATE	APP
		E	107034	02-12-2021	ARJ

INSULATOR:  
THERMOPLASTIC PER MIL-M-24519 OR ASTM D5138

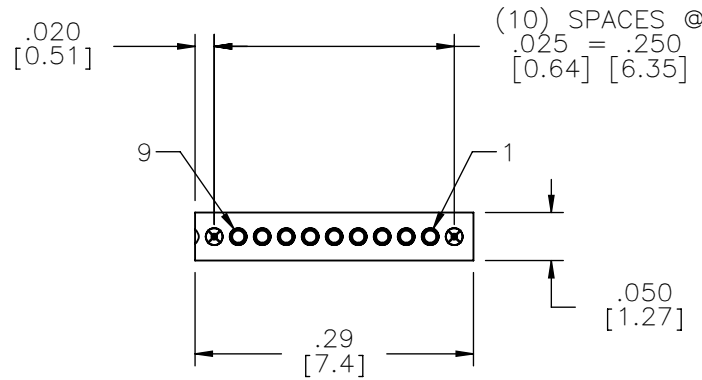
CONTACT:  
COPPER ALLOY PER MIL-DTL-32139. GOLD PLATED PER ASTM B488, (HARD GOLD) TYPE II CODE C CLASS 1.27

TERMINATION:  
SOLDER COATED PER J-STD-006 OR PLATED PER AMS-P-81728

GUIDE POST:  
BERYLLIUM COPPER ALLOY PER ASTM B196. ELECTROLESS NICKEL (100 MICROINCHES MINIMUM) PER SAE-AMS-2404

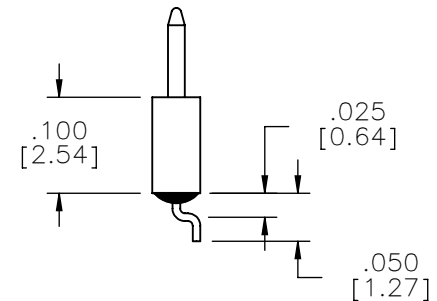
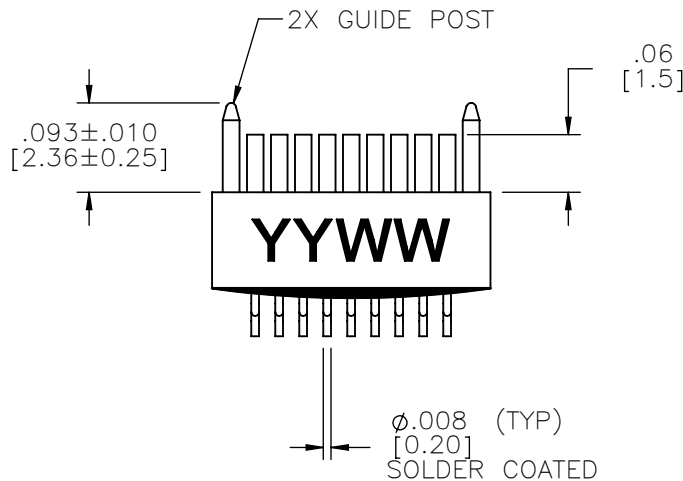
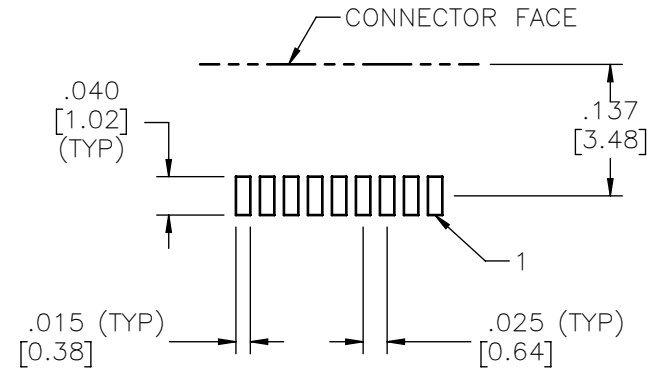
CURRENT CAPACITY:  
1 AMP MAX PER MIL-DTL-32139

CONTACT RESISTANCE:  
71 MILLIOHMS (71mV) MAX @ 1.0 AMPS PER MIL-DTL-32139



ACTUAL SIZE

SUGGESTED PAD LAYOUT



NOTE:

DIMENSIONS IN [ ] ARE IN MILLIMETERS UNLESS OTHERWISE NOTED AND ARE FOR REFERENCE ONLY

MCTS	SSN	THIRD ANGLE	THIS DRAWING CONTAINS CONFIDENTIAL AND PROPRIETARY INFORMATION WHICH IS THE PROPERTY OF OMNETICS CONNECTOR CORP. THIS DOCUMENT MAY NOT, IN WHOLE OR IN PART, BE DUPLICATED, OR DISCLOSED FOR ANY PURPOSE, WITHOUT WRITTEN PERMISSION FROM OMNETICS CONNECTOR CORP.
		-TOLERANCES-	
		UNLESS OTHERWISE NOTED	
		DIMENSIONS IN INCHES	
		2 PL DEC±.01	TITLE:
		3 PL DEC±.005	(9) SOCKET FEMALE
		4 PL DEC±.0005	NANO CONNECTOR
		ANGLES ± 1°	W/GUIDE POSTS
			DFTM. TLM
			DATE
			09-17-08

**OMNETICS**  
CONNECTOR CORPORATION  
7260 COMMERCE CIRCLE EAST  
MINNEAPOLIS, MN 55432  
WWW.OMNETICS.COM

DWG NO.	CAGE CODE	61873
A79003-001		
SHEET	SCALE:	REV
1 OF 1	5:1	E