

MATERIALS & SPECIFICATIONS

PART NO.	A79001-001	REV	ECO	DATE	APP
		D	107034	02-12-2021	ARJ

INSULATOR:
THERMOPLASTICS PER MIL-M-24519 OR ASTM D5138

CONTACT:
COPPER ALLOY PER MIL-DTL-32139. GOLD PLATED PER ASTM B488, (HARD GOLD) TYPE II CODE C CLASS 1.27

TERMINATION:
SOLDER COATED PER J-STD-006 OR PLATED PER AMS-P-81728

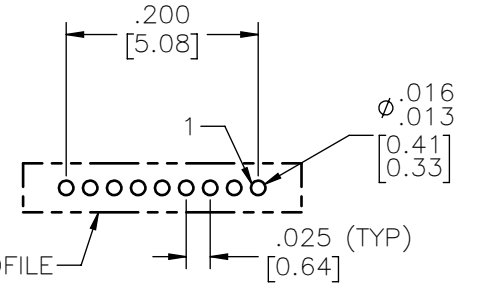
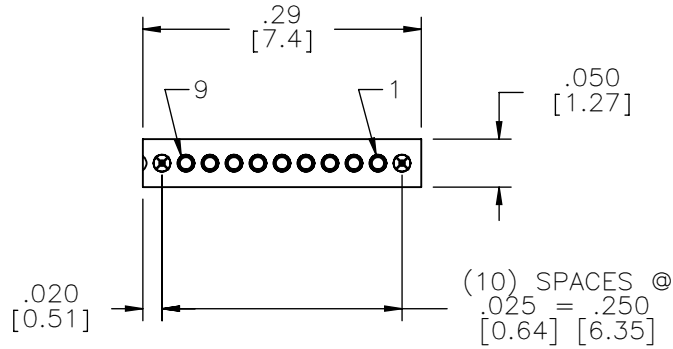
GUIDE POST:
BERYLLIUM COPPER ALLOY PER ASTM B196. ELECTROLESS NICKEL (100 MICRINCHES MINIMUM) PER SAE-AMS-2404

CURRENT CAPACITY:
1 AMP MAX PER MIL-DTL-32139

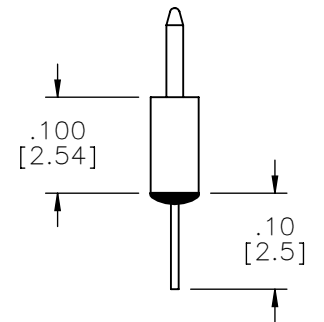
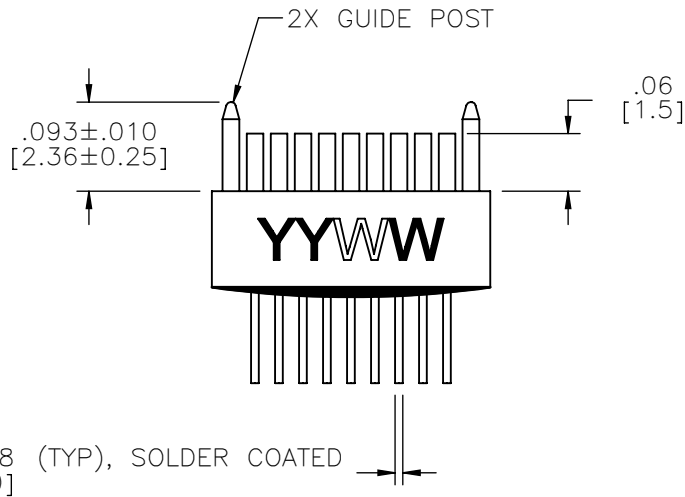
CONTACT RESISTANCE:
71 MILLIOHMS (71mV) MAX @ 1.0 AMPS PER MIL-DTL-32139



ACTUAL SIZE



CONNECTOR PROFILE
SUGGESTED HOLE PATTERN



NOTE:
DIMENSIONS IN [] ARE IN MILLIMETERS UNLESS OTHERWISE NOTED AND ARE FOR REFERENCE ONLY

MATERIALS	THIRD ANGLE	THIS DRAWING CONTAINS CONFIDENTIAL AND PROPRIETARY INFORMATION WHICH IS THE PROPERTY OF OMNETICS CONNECTOR CORP. THIS DOCUMENT MAY NOT, IN WHOLE OR IN PART, BE DUPLICATED, OR DISCLOSED FOR ANY PURPOSE, WITHOUT WRITTEN PERMISSION FROM OMNETICS CONNECTOR CORP.
	-TOLERANCES-	
MATERIALS	UNLESS OTHERWISE NOTED	TITLE: (9) SOCKET FEMALE NANO CONNECTOR W/GUIDE POSTS
	DIMENSIONS IN INCHES	
	2 PL DEC±.01	DFTM. TLM
	3 PL DEC±.005	DATE
	4 PL DEC±.0005	09-17-08
	ANGLES ± 1°	

OMNETICS
CONNECTOR CORPORATION
7260 COMMERCE CIRCLE EAST
MINNEAPOLIS, MN 55432
WWW.OMNETICS.COM

DWG NO.	CAGE CODE
A79001-001	61873
SHEET	SCALE: 5:1
1 OF 1	REV D