

# MATERIALS & SPECIFICATIONS

PART NO.	A55100-009	REV	ECO	DATE	APP
		E	100683	06-28-14	TLM

HOUSING:  
ALUMINUM 6061-T6, NICKEL  
PLATE PER SAE-AMS-2404

INSULATOR:  
THERMOPLASTIC PER MIL-DTL-  
32139

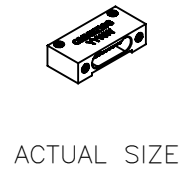
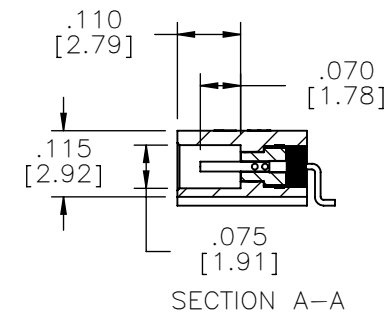
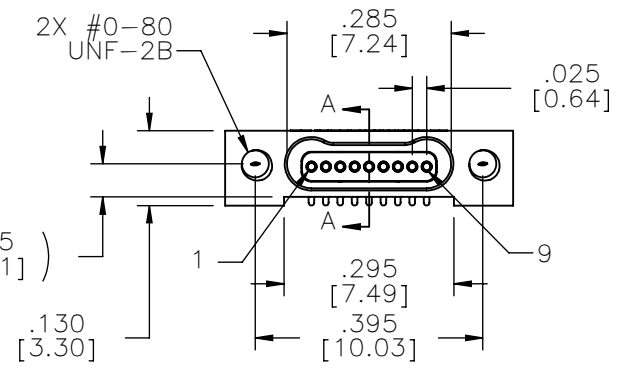
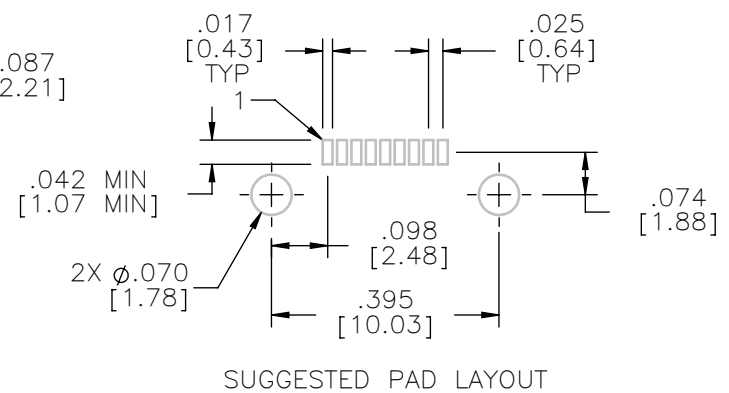
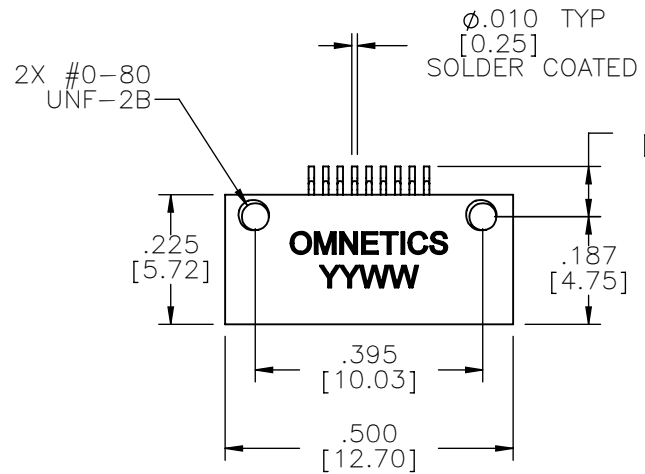
CONTACTS:  
COPPER ALLOY PER MIL-DTL-  
32139, GOLD PLATED PER ASTM  
B488, (HARD GOLD) TYPE II  
CODE C CLASS 1.27

TERMINATIONS:  
SOLDER COATED WITH SN63A  
PER J-STD-006

CURRENT RATING:  
1 AMP MAX PER MIL-DTL-32139

CONTACT RESISTANCE:  
71 MILLIOHM MAX (71mV DROP  
MAX) @ 1.0 AMPS PER MIL-  
DTL-32139

PERFORMANCE:  
PRODUCT FAMILY TESTED TO AND  
PASSED THE PERFORMANCE  
SPECIFICATIONS OF TABLE VIII OF  
MIL-DTL-32139



MBS SLDW	THIRD ANGLE
	-TOLERANCES-
	UNLESS OTHERWISE NOTED
	DIMENSIONS IN INCHES

THIS DRAWING CONTAINS CONFIDENTIAL AND PROPRIETARY INFORMATION WHICH IS THE PROPERTY OF OMNETICS CONNECTOR CORP. THIS DOCUMENT MAY NOT, IN WHOLE OR IN PART, BE DUPLICATED, OR DISCLOSED FOR ANY PURPOSE, WITHOUT WRITTEN PERMISSION FROM OMNETICS CONNECTOR CORP.	
DFTM. TEP	DATE 02-27-07
CHK'D.	DATE
APP'D.	DATE

TITLE:  
(9) SOCKET FEMALE  
Bi-Lobe® CONNECTOR

**OMNETICS**  
CONNECTOR CORPORATION  
7260 COMMERCE CIRCLE EAST  
MINNEAPOLIS, MN 55432  
WWW.OMNETICS.COM

CAGE CODE 61873
DWG NO. A55100-009
SHEET 1 OF 1
SCALE: 3:1
REV E

NOTE:  
DIMENSIONS IN [ ] ARE IN  
MILLIMETERS UNLESS  
OTHERWISE NOTED AND ARE  
FOR REFERENCE ONLY