

MATERIALS & SPECIFICATIONS

PART NO.	A55000-115	REV	ECO	DATE	APP
		C	100382	03-20-14	TLM

HOUSING:
ALUMINUM 6061-T6, NICKEL PLATE
PER SAE-AMS-2404.

INSULATOR:
THERMOPLASTIC PER MIL-DTL-32139

CONTACT:
COPPER ALLOY PER MIL-DTL-32139,
GOLD PLATED PER ASTM B488, (HARD
GOLD) TYPE II CODE C CLASS 1.27.

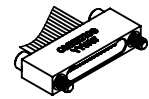
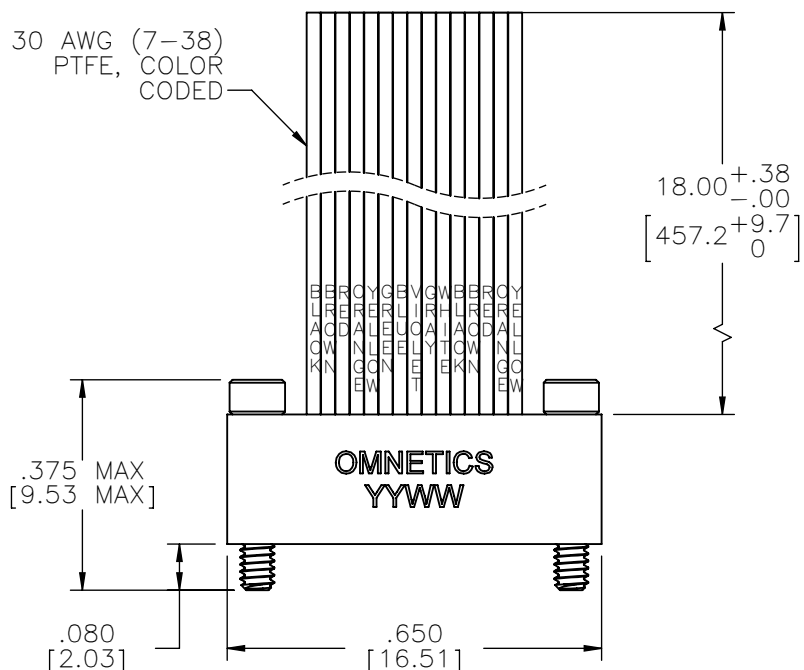
WIRE:
NEMA HP3 TYPE ET, COLOR CODED
IAW MIL-STD-681, SYSTEM 1, USING
TEN SOLID REPEATING COLORS.

HARDWARE:
303 STAINLESS STEEL PER ASTM 582.

CURRENT RATING:
1 AMP MAX PER MIL-DTL-32139.

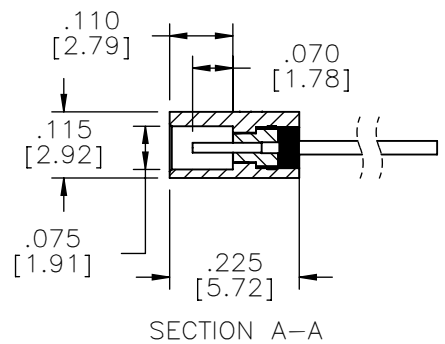
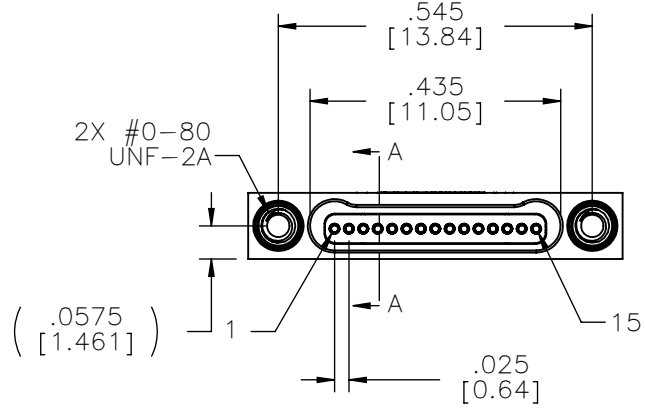
CONTACT RESISTANCE:
71 MILLIOHM MAX (71mV DROP MAX)
@ 1.0 AMPS PER MIL-DTL-32139.

PERFORMANCE:
PRODUCT FAMILY TESTED TO AND
PASSED THE PERFORMANCE
SPECIFICATIONS OF TABLE VIII OF
MIL-DTL-32139.



ACTUAL SIZE
EXCLUDING
WIRE LENGTH

SOCKET #	COLOR
1, 11	BLACK
2, 12	BROWN
3, 13	RED
4, 14	ORANGE
5, 15	YELLOW
6	GREEN
7	BLUE
8	VIOLET
9	GRAY
10	WHITE



NOTE:
DIMENSIONS IN [] ARE IN
MILLIMETERS UNLESS
OTHERWISE NOTED AND ARE
FOR REFERENCE ONLY

MBS SLDW	THIRD ANGLE
	-TOLERANCES-
	UNLESS OTHERWISE NOTED
	DIMENSIONS IN INCHES
2	PL DEC ± .01
3	PL DEC ± .005
4	PL DEC ± .0005
	ANGLES ± 1°

THIS DRAWING CONTAINS CONFIDENTIAL AND PROPRIETARY INFORMATION WHICH IS THE PROPERTY OF OMNETICS CONNECTOR CORP. THIS DOCUMENT MAY NOT, IN WHOLE OR IN PART, BE DUPLICATED, OR DISCLOSED FOR ANY PURPOSE, WITHOUT WRITTEN PERMISSION FROM OMNETICS CONNECTOR CORP.

DFTM. TLM DATE 06-09-08 TITLE: (15) SOCKET FEMALE
CHK'D. DATE Bi-Lobe® CONNECTOR
APP'D. DATE

OMNETICS
CONNECTOR CORPORATION
7260 COMMERCE CIRCLE EAST
MINNEAPOLIS, MN 55432
WWW.OMNETICS.COM

CAGE CODE 61873
DWG NO. A55000-115
SHEET 1 OF 1
SCALE: 3:1
REV C