

MATERIALS & SPECIFICATIONS

PART NO.	A54200-031	REV	ECO	DATE	APP
		E	100650	06-17-14	TLM

HOUSING:
ALUMINUM 6061-T6, NICKEL
PLATE PER SAE-AMS-2404

INSULATOR:
THERMOPLASTIC PER MIL-DTL-
32139

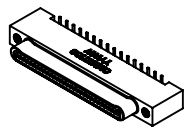
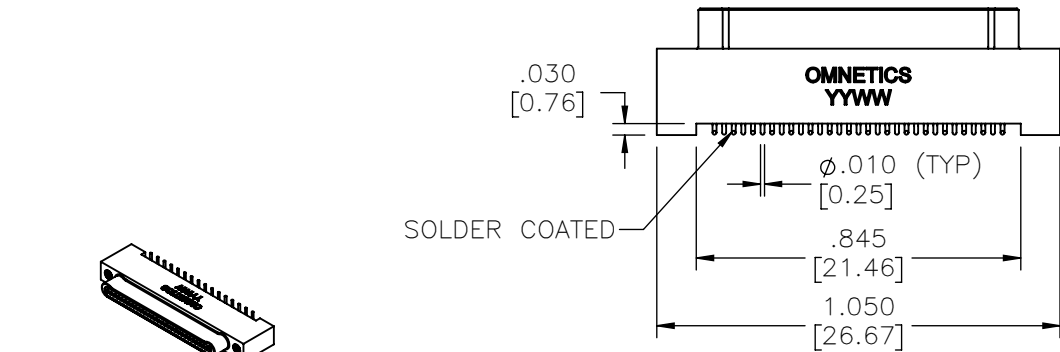
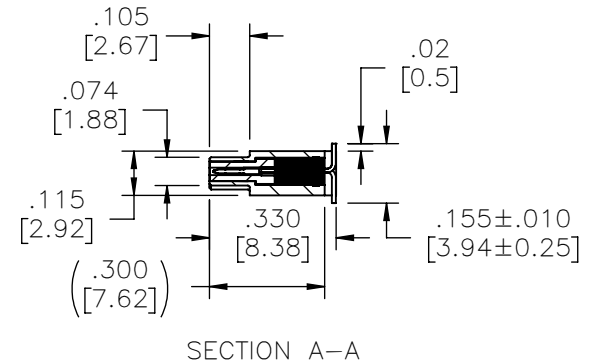
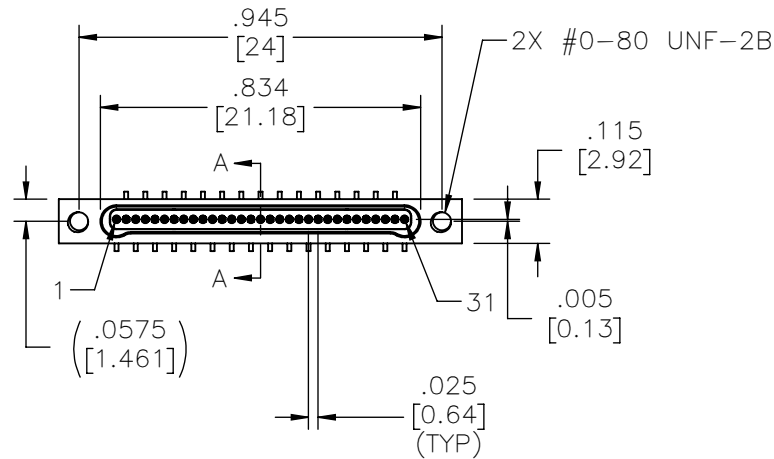
CONTACT:
BERYLLIUM COPPER PER ASTM
B194, C17200, GOLD PLATED
PER ASTM B488, (HARD GOLD)
TYPE II CODE C, CLASS 1.27

TERMINATION:
COPPER ALLOY PER MIL-DTL-
32139. SOLDER COATED WITH
SN63A PER J-STD-006 OR
AMS-P-81728

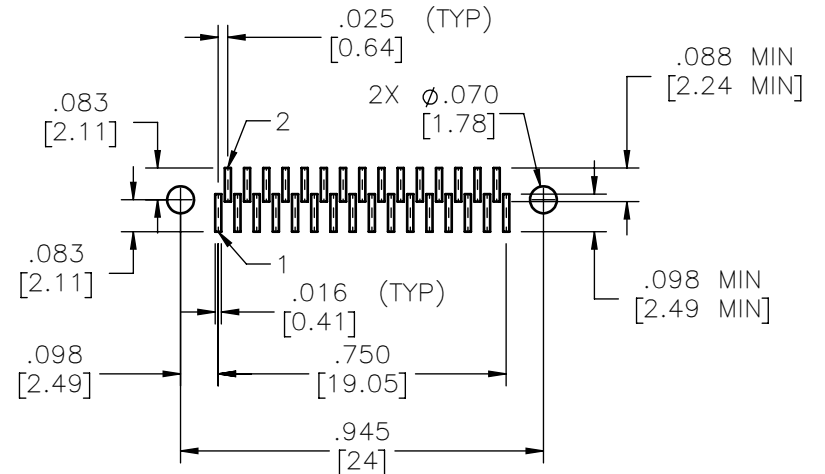
CURRENT RATING:
1 AMP MAX PER MIL-DTL-32139

CONTACT RESISTANCE:
71 MILLIOHM MAX (71mV DROP
MAX) @ 1.0 AMPS PER MIL-
DTL-32139

PERFORMANCE:
PRODUCT FAMILY TESTED TO AND
PASSED THE PERFORMANCE
SPECIFICATIONS OF TABLE VIII OF
MIL-DTL-32139



ACTUAL SIZE



SUGGESTED PAD LAYOUT

NOTE:
DIMENSIONS IN [] ARE IN
MILLIMETERS UNLESS
OTHERWISE NOTED AND ARE
FOR REFERENCE ONLY

MBPS SLDW	THIRD ANGLE ϕ ∇	THIS DRAWING CONTAINS CONFIDENTIAL AND PROPRIETARY INFORMATION WHICH IS THE PROPERTY OF OMNETICS CONNECTOR CORP. THIS DOCUMENT MAY NOT, IN WHOLE OR IN PART, BE DUPLICATED, OR DISCLOSED FOR ANY PURPOSE, WITHOUT WRITTEN PERMISSION FROM OMNETICS CONNECTOR CORP.	
	-TOLERANCES-	DFTM. DGJ	DATE
	UNLESS OTHERWISE NOTED	10-11-11	TITLE:
	DIMENSIONS IN INCHES	DATE	(31) PIN MALE
2 PL DEC±.01	CHK'D.	DATE	Bi-Lobe® CONNECTOR
3 PL DEC±.005	APP'D.	DATE	
4 PL DEC±.0005			
ANGLES ± 1°			

OMNETICS
CONNECTOR CORPORATION
7260 COMMERCE CIRCLE EAST
MINNEAPOLIS, MN 55432
WWW.OMNETICS.COM

CAGE CODE 61873
DWG NO. A54200-031
SHEET 1 OF 1
SCALE: 2:1
REV E