

MATERIAL & SPECIFICATIONS

HOUSING:
ALUMINIUM 6061-T6, NICKEL PLATE PER SAE-AMS-2404.

INSULATOR:
THERMOPLASTIC PER MIL-DTL-32139.

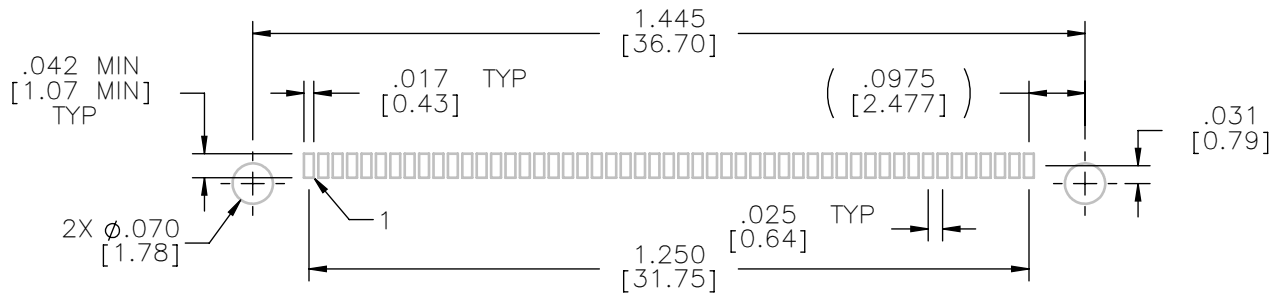
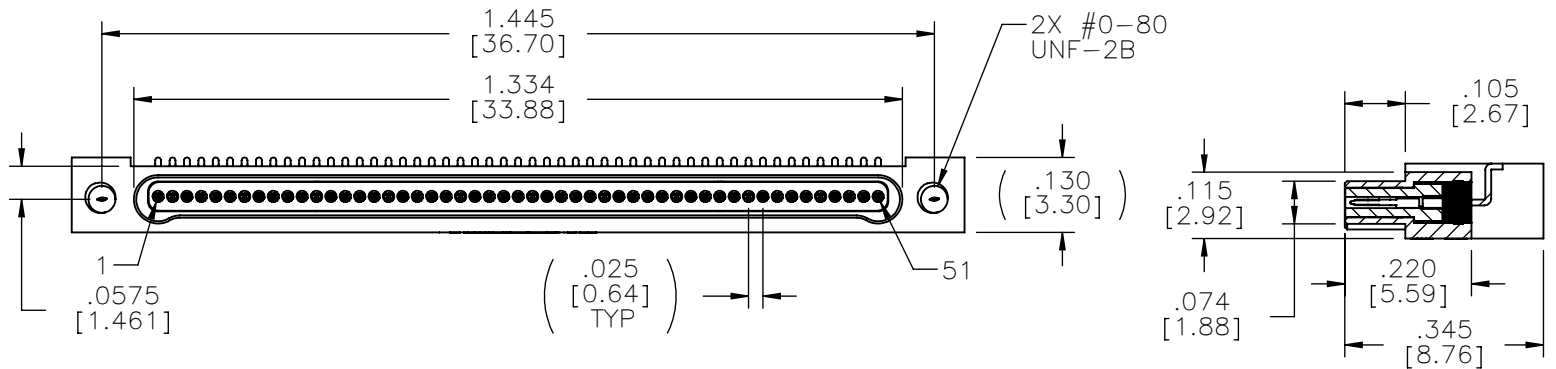
CONTACT:
BERYLLIUM COPPER PER ASTM B194, C17200, GOLD PLATED PER ASTM B488, (HARD GOLD) TYPE II CODE C, CLASS 1.27.

TERMINATION:
SOLDER COATED WITH SN63A PER J-STD-006 OR AMS-P-81728.

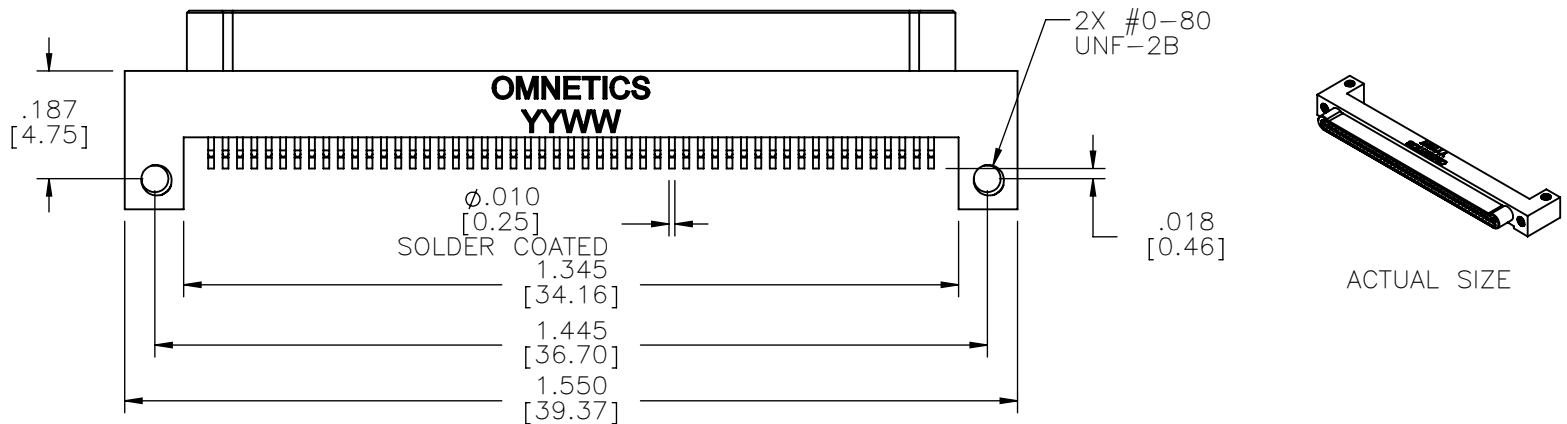
CURRENT RATING:
1 AMP MAX PER MIL-DTL-32139.

PERFORMANCE:
PRODUCT FAMILY TESTED TO AND PASSED THE PERFORMANCE SPECIFICATIONS OF TABLE VIII OF MIL-DTL-32139.

| | | | | | |
|----------|------------|-----|--------|----------|-----|
| PART NO. | A54100-051 | REV | ECO | DATE | APP |
| | | E | 100650 | 06-17-14 | TLM |



SUGGESTED PAD LAYOUT



NOTE:

DIMENSIONS IN [] ARE IN MILLIMETERS UNLESS OTHERWISE NOTED AND ARE FOR REFERENCE ONLY

| | |
|--------------|------------------------|
| MBPS SLDW | THIRD ANGLE |
| | -TOLERANCES- |
| | UNLESS OTHERWISE NOTED |
| | DIMENSIONS IN INCHES |
| 2 | PL DEC ± .01 |
| 3 | PL DEC ± .005 |
| 4 | PL DEC ± .0005 |
| | ANGLES ± 1° |

| | |
|--|---------------|
| THIS DRAWING CONTAINS CONFIDENTIAL AND PROPRIETARY INFORMATION WHICH IS THE PROPERTY OF OMNETICS CONNECTOR CORP. THIS DOCUMENT MAY NOT, IN WHOLE OR IN PART, BE DUPLICATED, OR DISCLOSED FOR ANY PURPOSE, WITHOUT WRITTEN PERMISSION FROM OMNETICS CONNECTOR CORP. | |
| DFTM. JMJ | DATE 04-01-11 |
| CHK'D. | DATE |
| APP'D. | DATE |
| TITLE: (51) PIN MALE Bi-Lobe® CONNECTOR | |

OMNETICS
CONNECTOR CORPORATION
7260 COMMERCE CIRCLE EAST
MINNEAPOLIS, MN 55432
WWW.OMNETICS.COM

| |
|--------------------|
| CAGE CODE 61873 |
| DWG NO. A54100-051 |
| SHEET 1 OF 1 |
| SCALE: 3:1 |
| REV E |