

PART NO.	A54100-037	REV	ECO	DATE	APP
		E	100650	06-17-14	TLM

MATERIAL & SPECIFICATIONS

HOUSING:
ALUMNIUM 6061-T6, NICKEL PLATE PER SAE-AMS-2404.

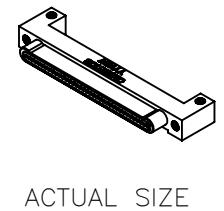
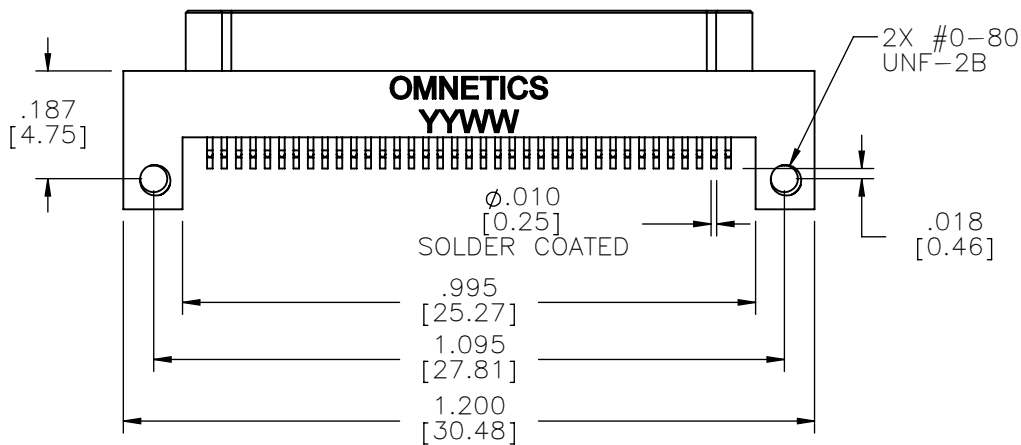
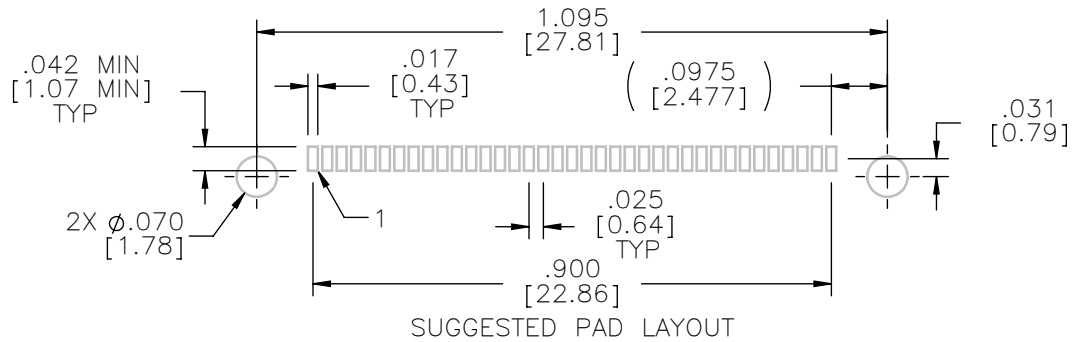
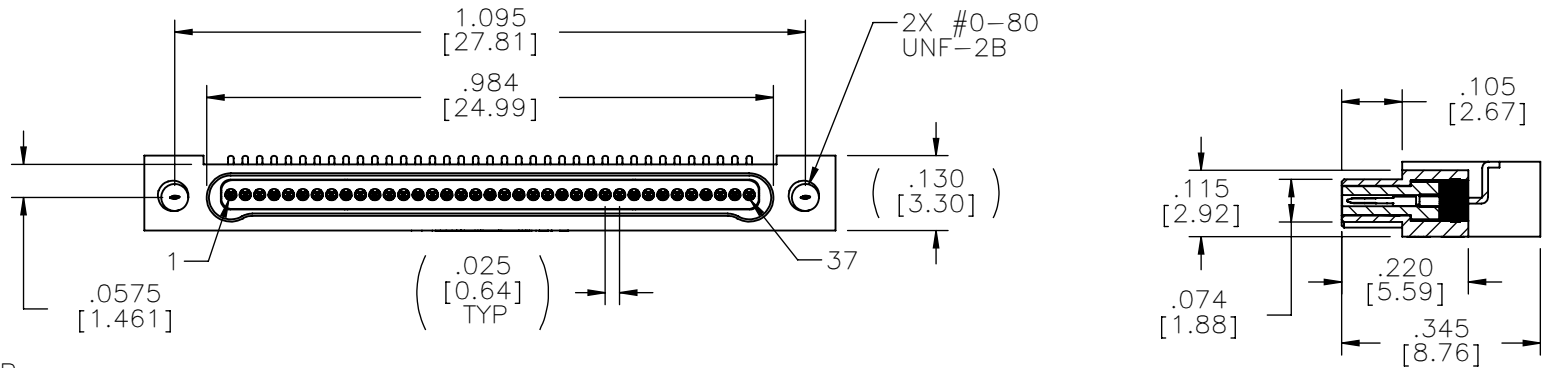
INSULATOR:
THERMOPLASTIC PER MIL-DTL-32139.

CONTACT:
BERYLLIUM COPPER PER ASTM B194, C17200, GOLD PLATED PER ASTM B488, (HARD GOLD) TYPE II CODE C, CLASS 1.27.

TERMINATION:
SOLDER COATED WITH SN63A PER J-STD-006 OR AMS-P-81728.

CURRENT RATING:
1 AMP MAX PER MIL-DTL-32139.

PERFORMANCE:
PRODUCT FAMILY TESTED TO AND PASSED THE PERFORMANCE SPECIFICATIONS OF TABLE VIII OF MIL-DTL-32139.



NOTE:
DIMENSIONS IN [] ARE IN MILLIMETERS UNLESS OTHERWISE NOTED AND ARE FOR REFERENCE ONLY

MBPS SLDW	THIRD ANGLE	THIS DRAWING CONTAINS CONFIDENTIAL AND PROPRIETARY INFORMATION WHICH IS THE PROPERTY OF OMNETICS CONNECTOR CORP. THIS DOCUMENT MAY NOT, IN WHOLE OR IN PART, BE DUPLICATED, OR DISCLOSED FOR ANY PURPOSE, WITHOUT WRITTEN PERMISSION FROM OMNETICS CONNECTOR CORP.	
	-TOLERANCES-	DFTM. MJM	TITLE:
	UNLESS OTHERWISE NOTED	DATE 04-01-11	(37) PIN MALE
	DIMENSIONS IN INCHES	DATE	Bi-Lobe® CONNECTOR
2 PL DEC± .01	CHK'D.	DATE	
3 PL DEC± .005	APP'D.	DATE	
4 PL DEC± .0005			
ANGLES ± 1°			

OMNETICS
CONNECTOR CORPORATION
7260 COMMERCE CIRCLE EAST
MINNEAPOLIS, MN 55432
WWW.OMNETICS.COM

CAGE CODE 61873	REV
DWG NO. A54100-037	E
SHEET 1 OF 1	
SCALE: 3:1	