

PART NO.	A54100-031	REV	ECO	DATE	APP
		F	100650	06-17-14	TLM

# MATERIAL & SPECIFICATIONS

**HOUSING:**  
ALUMINIUM 6061-T6, NICKEL PLATE PER SAE-AMS-2404.

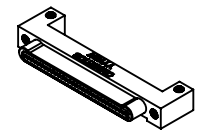
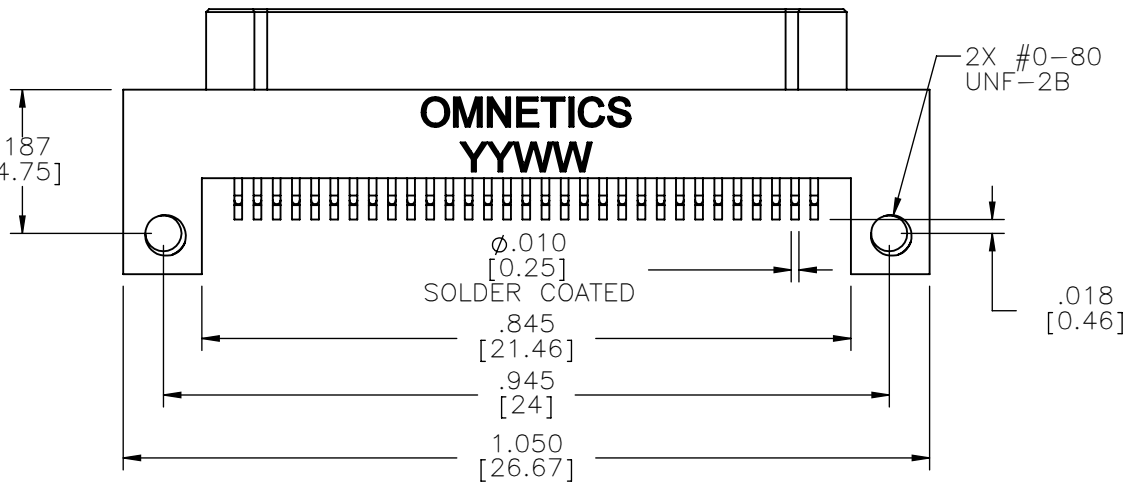
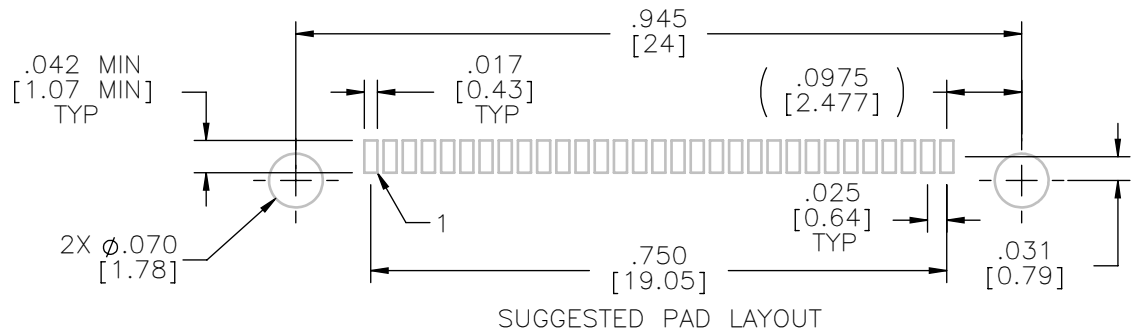
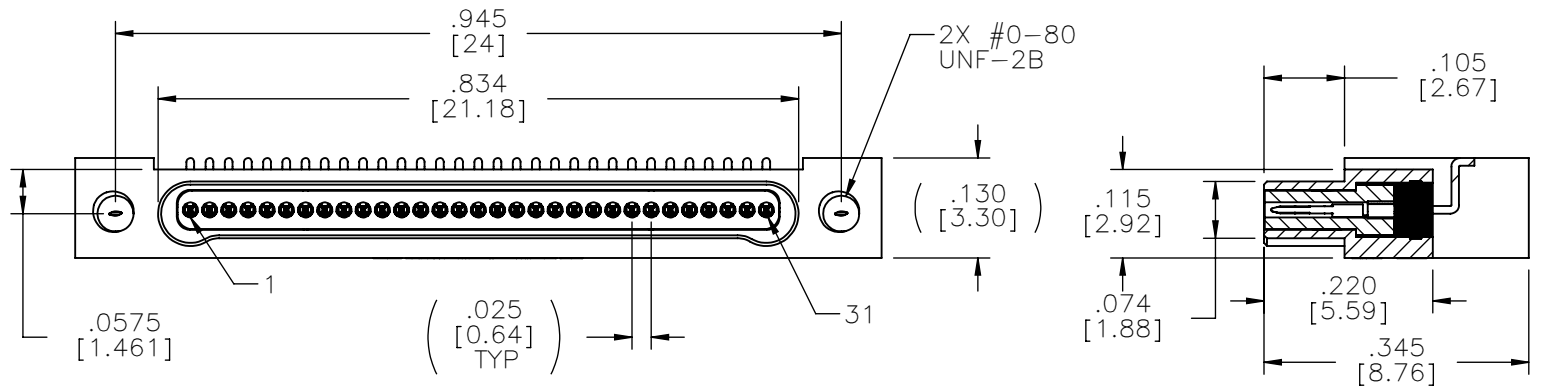
**INSULATOR:**  
THERMOPLASTIC PER MIL-DTL-32139.

**CONTACT:**  
BERYLLIUM COPPER PER ASTM B194, C17200, GOLD PLATED PER ASTM B488, (HARD GOLD) TYPE II CODE C, CLASS 1.27.

**TERMINATION:**  
SOLDER COATED WITH SN63A PER J-STD-006 OR AMS-P-81728.

**CURRENT RATING:**  
1 AMP MAX PER MIL-DTL-32139.

**PERFORMANCE:**  
PRODUCT FAMILY TESTED TO AND PASSED THE PERFORMANCE SPECIFICATIONS OF TABLE VIII OF MIL-DTL-32139.



**NOTE:**  
DIMENSIONS IN [ ] ARE IN MILLIMETERS UNLESS OTHERWISE NOTED AND ARE FOR REFERENCE ONLY

MBPS SLDW	THIRD ANGLE
	-TOLERANCES-
	UNLESS OTHERWISE NOTED
	DIMENSIONS IN INCHES
2	PL DEC ± .01
3	PL DEC ± .005
4	PL DEC ± .0005
	ANGLES ± 1°

THIS DRAWING CONTAINS CONFIDENTIAL AND PROPRIETARY INFORMATION WHICH IS THE PROPERTY OF OMNETICS CONNECTOR CORP. THIS DOCUMENT MAY NOT, IN WHOLE OR IN PART, BE DUPLICATED, OR DISCLOSED FOR ANY PURPOSE, WITHOUT WRITTEN PERMISSION FROM OMNETICS CONNECTOR CORP.	
DFTM. JMJ	DATE 04-01-11
CHK'D.	DATE
APP'D.	DATE
TITLE: (31) PIN MALE Bi-Lobe® CONNECTOR	

**OMNETICS**  
CONNECTOR CORPORATION  
7260 COMMERCE CIRCLE EAST  
MINNEAPOLIS, MN 55432  
WWW.OMNETICS.COM

CAGE CODE 61873
DWG NO. A54100-031
SHEET 1 OF 1
REV F
SCALE: 4:1