

PART NO.	A54100-009	REV	ECO	DATE	APP
		E	100650	06-17-14	TLM

# MATERIAL & SPECIFICATIONS

**HOUSING:**  
ALUMNIUM 6061-T6,  
NICKEL PLATE PER SAE-  
AMS-2404.

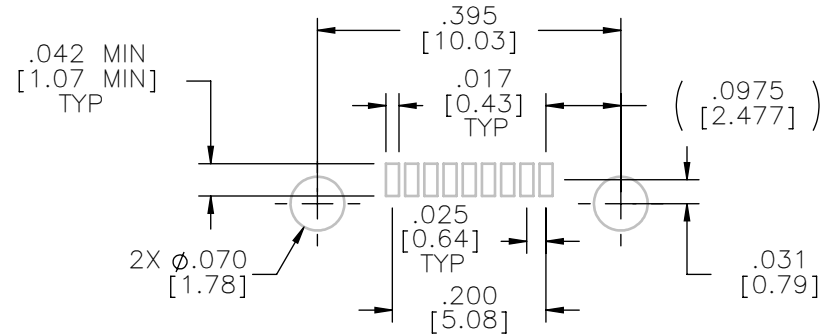
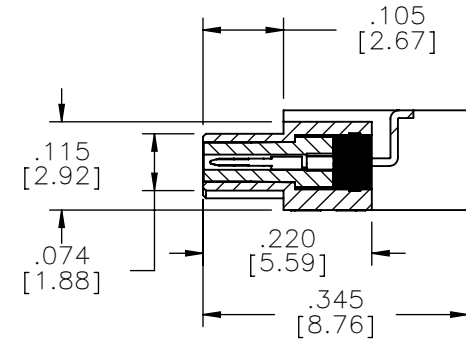
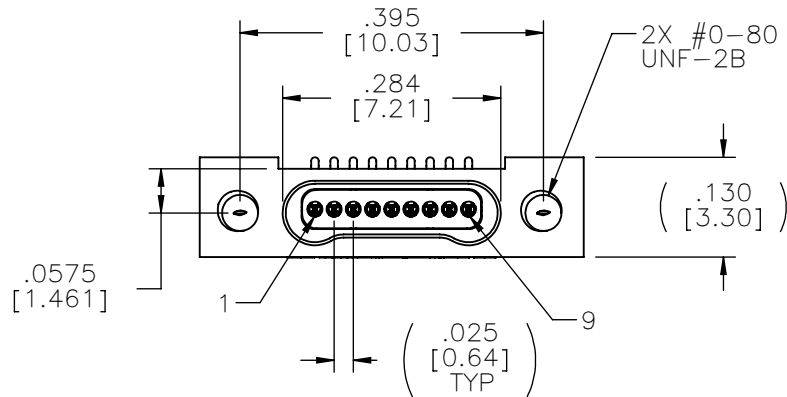
**INSULATOR:**  
THERMOPLASTIC PER MIL-  
DTL-32139.

**CONTACT:**  
BERYLLIUM COPPER PER  
ASTM B194, C17200,  
GOLD PLATED PER ASTM  
B488, (HARD GOLD) TYPE  
II CODE C, CLASS 1.27.

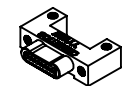
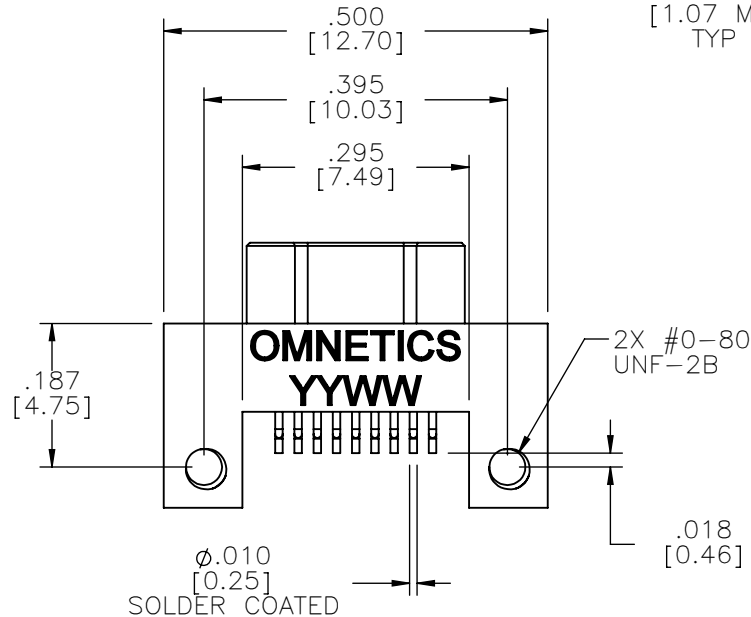
**TERMINATION:**  
SOLDER COATED WITH  
SN63A PER J-STD-006  
OR AMS-P-81728.

**CURRENT RATING:**  
1 AMP MAX PER MIL-  
DTL-32139.

**PERFORMANCE:**  
PRODUCT FAMILY TESTED  
TO AND PASSED THE  
PERFORMANCE  
SPECIFICATIONS OF TABLE  
VIII OF MIL-DTL-32139.



SUGGESTED PAD LAYOUT



ACTUAL SIZE

**NOTE:**

DIMENSIONS IN [ ] ARE IN MILLIMETERS UNLESS OTHERWISE NOTED AND ARE FOR REFERENCE ONLY

MBPS SLDW	THIRD ANGLE
	-TOLERANCES-
	UNLESS OTHERWISE NOTED
	DIMENSIONS IN INCHES
2	PL DEC ± .01
3	PL DEC ± .005
4	PL DEC ± .0005
	ANGLES ± 1°

THIS DRAWING CONTAINS CONFIDENTIAL AND PROPRIETARY INFORMATION WHICH IS THE PROPERTY OF OMNETICS CONNECTOR CORP. THIS DOCUMENT MAY NOT, IN WHOLE OR IN PART, BE DUPLICATED, OR DISCLOSED FOR ANY PURPOSE, WITHOUT WRITTEN PERMISSION FROM OMNETICS CONNECTOR CORP.

DFTM. JM	DATE 04-04-11
CHK'D.	DATE
APP'D.	DATE

TITLE:  
**(9) PIN MALE**  
**Bi-Lobe® CONNECTOR**

**OMNETICS**  
CONNECTOR CORPORATION  
7260 COMMERCE CIRCLE EAST  
MINNEAPOLIS, MN 55432  
WWW.OMNETICS.COM

CAGE CODE <b>61873</b>
DWG NO. <b>A54100-009</b>
SHEET 1 OF 1
SCALE: 4:1
REV E