

MATERIALS & SPECIFICATIONS

HOUSING:
ALUMINUM 6061-T6, NICKEL
PLATE PER SAE-AMS-2404

INSULATOR:
LIQUID CRYSTAL POLYMER
(LCP) PER ASTM D5138

CONTACTS:
COPPER ALLOY PER MIL-DTL-
32139, GOLD PLATED PER
ASTM B488, (HARD GOLD)
TYPE II CODE C, CLASS 1.27

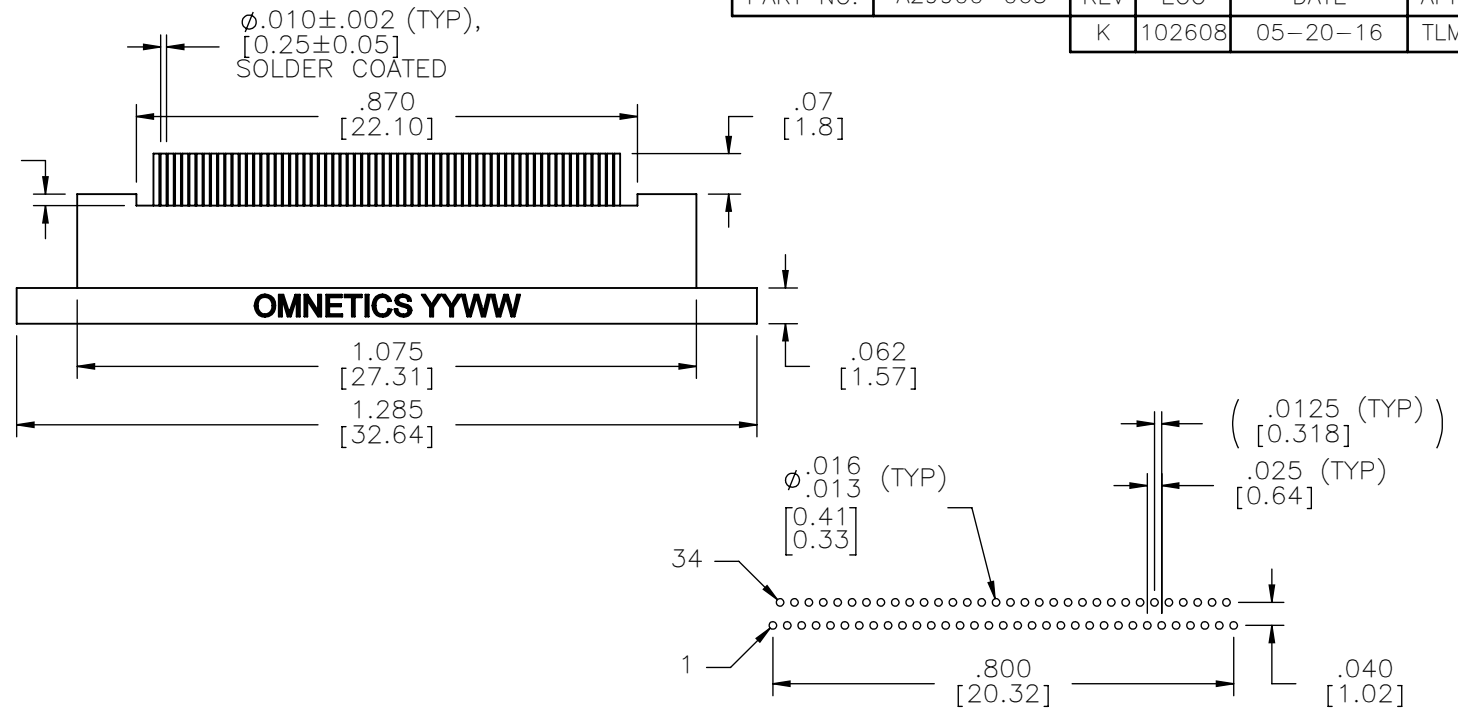
TERMINATION:
SOLDER COATED WITH SN63A
PER J-STD-006

CURRENT RATING:
1 AMP MAX PER MIL-DTL-
32139

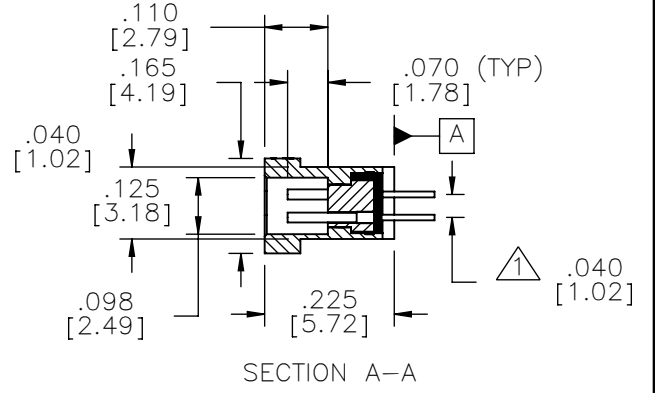
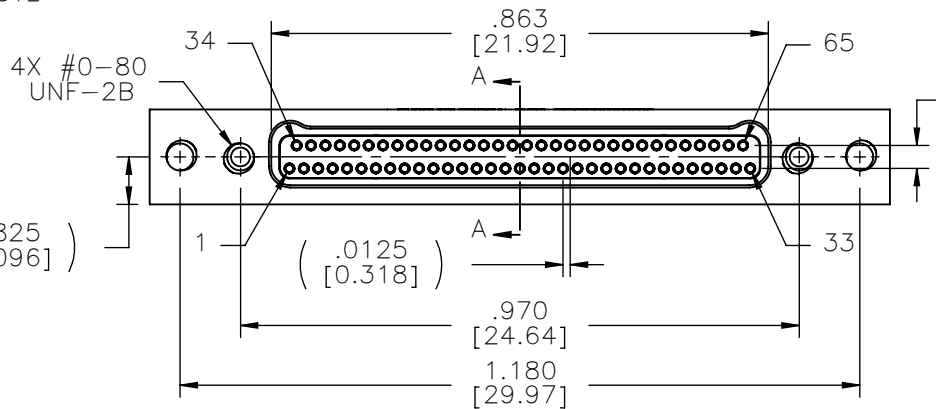
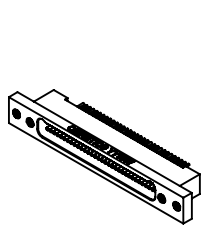
CONTACT RESISTANCE:
71 MILLIOHM MAX (71mV
DROP MAX) @ 1.0 AMPS PER
MIL-DTL-32139

PERFORMANCE:
PRODUCT FAMILY TESTED TO
AND PASSED THE
PERFORMANCE SPECIFICATIONS
OF TABLE VIII OF MIL-DTL-
32139

| | | | | | |
|----------|------------|-----|--------|----------|-----|
| PART NO. | A29900-065 | REV | ECO | DATE | APP |
| | | K | 102608 | 05-20-16 | TLM |



SUGGESTED HOLE PATTERN



NOTES:
 $\triangle 1$ TAIL DIMENSIONS APPLY
 AT PLANE **A**

DIMENSIONS IN [] ARE IN
MILLIMETERS UNLESS
OTHERWISE NOTED AND ARE
FOR REFERENCE ONLY

| | | | | |
|------------------|------------------------|--|----------|--------------------|
| MGT'S DESIGN | THIRD ANGLE | THIS DRAWING CONTAINS CONFIDENTIAL AND PROPRIETARY INFORMATION WHICH IS THE PROPERTY OF OMNETICS CONNECTOR CORP. THIS DOCUMENT MAY NOT, IN WHOLE OR IN PART, BE DUPLICATED, OR DISCLOSED FOR ANY PURPOSE, WITHOUT WRITTEN PERMISSION FROM OMNETICS CONNECTOR CORP. | DATE | TITLE: |
| | -TOLERANCES- | | 05-17-04 | (65) SOCKET FEMALE |
| | UNLESS OTHERWISE NOTED | | DATE | Bi-Lobe® CONNECTOR |
| | DIMENSIONS IN INCHES | | DATE | |
| 2 PL DEC ± .01 | DFTM. AAS | | | |
| 3 PL DEC ± .005 | CHK'D. | | | |
| 4 PL DEC ± .0005 | APP'D. | | | |
| ANGLES ± 1° | | | | |

OMNETICS
CONNECTOR CORPORATION
 7260 COMMERCE CIRCLE EAST
 MINNEAPOLIS, MN 55432
 WWW.OMNETICS.COM

| | |
|---------------------------|-------|
| CAGE CODE 61873 | |
| DWG NO. A29900-065 | |
| SHEET 1 OF 1 | REV K |
| SCALE: 3:1 | |