

MATERIALS & SPECIFICATIONS

HOUSING:
ALUMINUM 6061-T6,
NICKEL PLATE PER SAE-
AMS-2404

INSULATOR:
LIQUID CRYSTAL POLYMER
(LCP) PER ASTM D5138

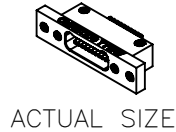
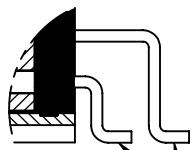
CONTACTS:
COPPER ALLOY PER
MIL-DTL-32139, GOLD
PLATED PER ASTM B488,
(HARD GOLD) TYPE II
CODE C, CLASS 1.27

TERMINATION:
SOLDER COATED WITH
SN63A
PER J-STD-006

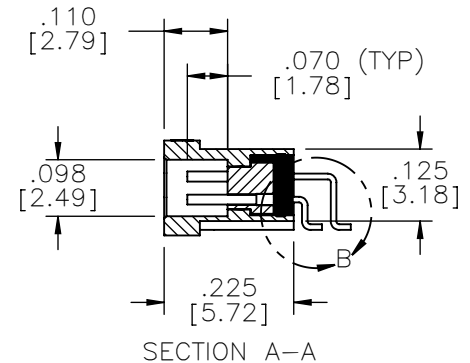
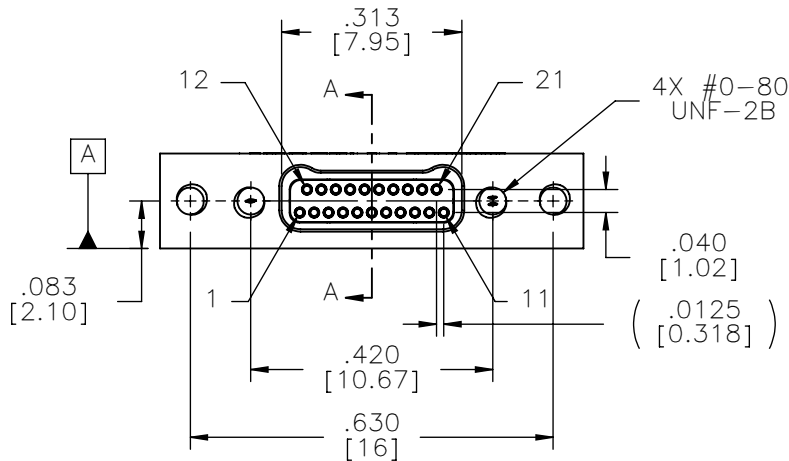
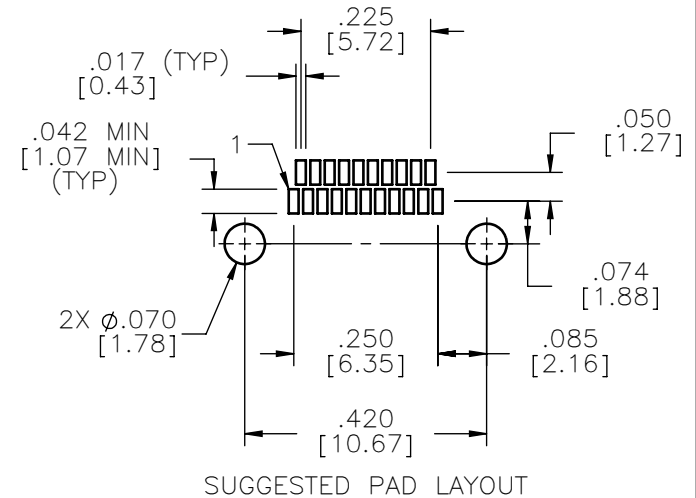
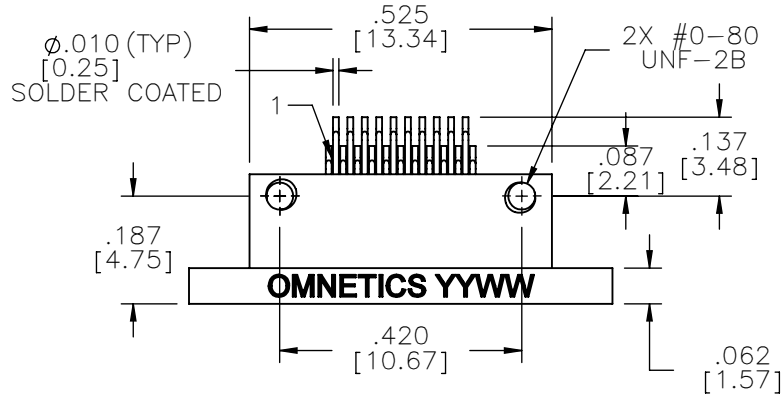
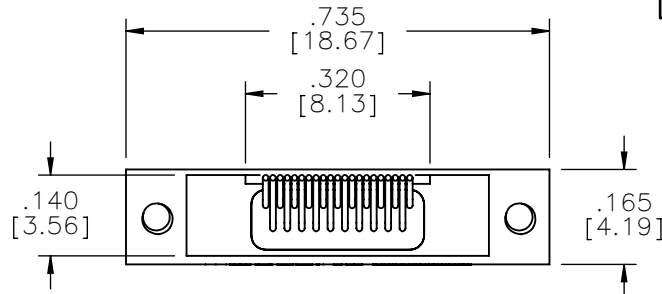
CURRENT RATING:
1 AMP MAX PER MIL-
DTL-32139

CONTACT RESISTANCE:
71 MILLIOHM MAX (71mV
DROP MAX) @ 1.0 AMPS
PER MIL-DTL-32139

PERFORMANCE:
PRODUCT FAMILY TESTED
TO AND PASSED THE
PERFORMANCE
SPECIFICATIONS OF
TABLE VIII OF MIL-DTL-
32139



DETAIL B
SCALE 6 : 1



NOTE:

DIMENSIONS IN [] ARE IN
MILLIMETERS UNLESS
OTHERWISE NOTED AND ARE
FOR REFERENCE ONLY

| | |
|-----|------------------------|
| MCS | THIRD ANGLE |
| | -TOLERANCES- |
| | UNLESS OTHERWISE NOTED |
| | DIMENSIONS IN INCHES |
| 2 | PL DEC ± .01 |
| 3 | PL DEC ± .005 |
| 4 | PL DEC ± .0005 |
| | ANGLES ± 1° |

| | |
|--|---------------|
| THIS DRAWING CONTAINS CONFIDENTIAL AND PROPRIETARY INFORMATION WHICH IS THE PROPERTY OF OMNETICS CONNECTOR CORP. THIS DOCUMENT MAY NOT, IN WHOLE OR IN PART, BE DUPLICATED, OR DISCLOSED FOR ANY PURPOSE, WITHOUT WRITTEN PERMISSION FROM OMNETICS CONNECTOR CORP. | |
| DFTM. AAS | DATE 05-14-04 |
| CHK'D. | DATE |
| APP'D. | DATE |
| TITLE: (21) SOCKET FEMALE Bi-Lobe® CONNECTOR | |

OMNETICS
CONNECTOR CORPORATION
7260 COMMERCE CIRCLE EAST
MINNEAPOLIS, MN 55432
WWW.OMNETICS.COM

| |
|--------------------|
| CAGE CODE 61873 |
| DWG NO. A29700-021 |
| SHEET 1 OF 1 |
| SCALE: 3:1 |
| REV J |

| | | | | |
|---------------------|-------|------------|---------------|---------|
| PART NO. A29700-021 | REV J | ECO 102565 | DATE 05-09-16 | APP TLM |
|---------------------|-------|------------|---------------|---------|