

MATERIALS & SPECIFICATIONS

PART NO.	A29600-085	REV	ECO	DATE	APP
		A	97798	07-27-11	TLM

HOUSING:
ALUMINUM 6061-T6, NICKEL
PLATE PER AMS-C-26074

INSULATOR:
LIQUID CRYSTAL POLYMER (LCP)
PER ASTM D5138

CONTACTS:
COPPER ALLOY PER MIL-DTL-
32139, GOLD PLATED PER ASTM
B488, (HARD GOLD) TYPE II
CODE C, CLASS 1.27

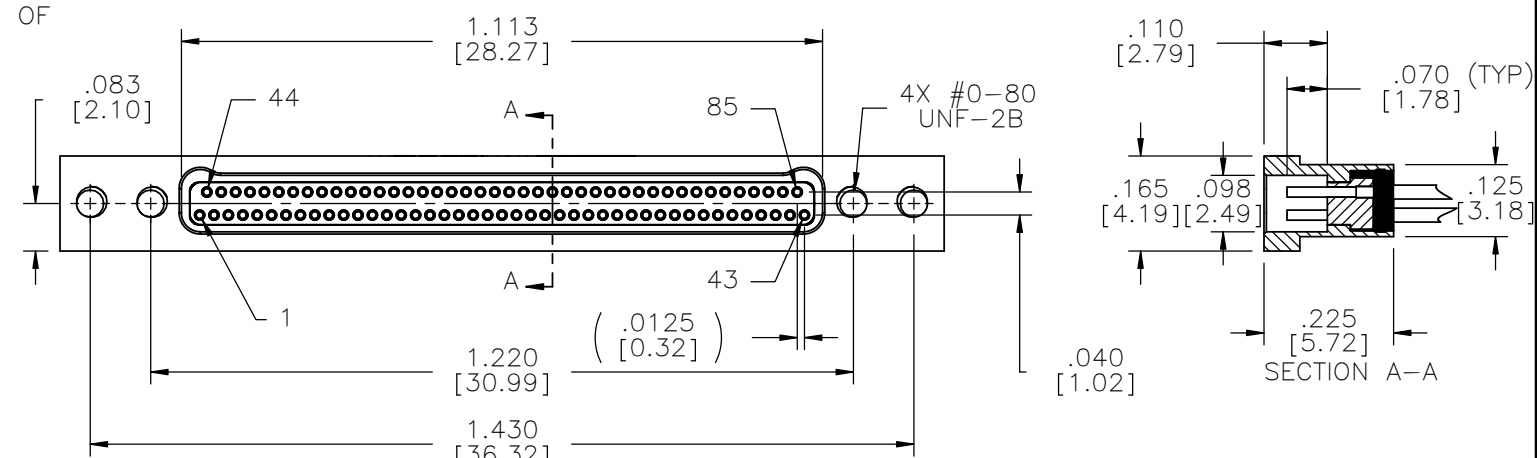
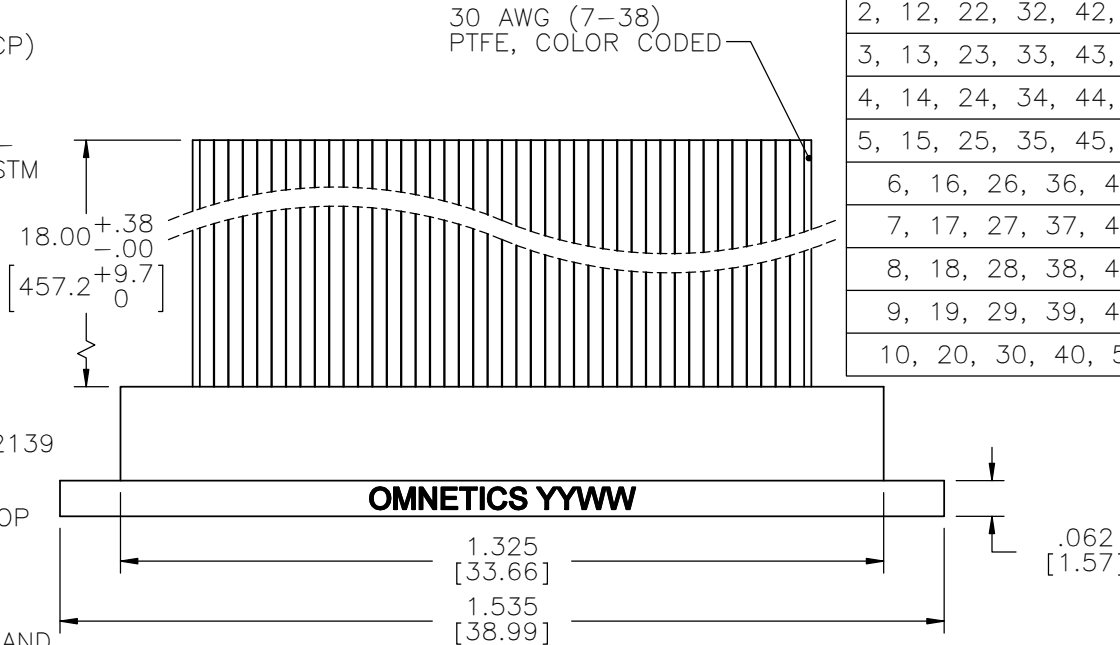
WIRE:
NEMA HP3 TYPE ET, COLOR
CODED IAW MIL-STD-681,
SYSTEM 1, USING TEN SOLID
REPEATING COLORS

CURRENT RATING:
1 AMP MAX PER MIL-DTL-32139

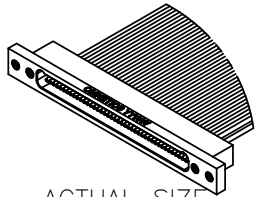
CONTACT RESISTANCE:
71 MILLIOHM MAX (71mV DROP
MAX) @ 1.0 AMPS PER MIL-
DTL-32139

PERFORMANCE:
PRODUCT FAMILY TESTED TO AND
PASSED THE PERFORMANCE
SPECIFICATIONS OF TABLE VIII OF
MIL-DTL-32139

SOCKET #	COLOR
1, 11, 21, 31, 41, 51, 61, 71, 81	BLACK
2, 12, 22, 32, 42, 52, 62, 72, 82	BROWN
3, 13, 23, 33, 43, 53, 63, 73, 83	RED
4, 14, 24, 34, 44, 54, 64, 74, 84	ORANGE
5, 15, 25, 35, 45, 55, 65, 75, 85	YELLOW
6, 16, 26, 36, 46, 56, 66, 76	GREEN
7, 17, 27, 37, 47, 57, 67, 77	BLUE
8, 18, 28, 38, 48, 58, 68, 78	VIOLET
9, 19, 29, 39, 49, 59, 69, 79	GRAY
10, 20, 30, 40, 50, 60, 70, 80	WHITE



INTERNAL USE ONLY
SHEET 2 OF 2 IS A
MFG LOADING DIAGRAM



ACTUAL SIZE
EXCLUDING WIRE LENGTH

MNSOP SLDW	THIRD ANGLE
	-TOLERANCES-
	UNLESS OTHERWISE NOTED
	DIMENSIONS IN INCHES
2	PL DEC ± .01
3	PL DEC ± .005
4	PL DEC ± .0005
	ANGLES ± 1°

THIS DRAWING CONTAINS CONFIDENTIAL AND PROPRIETARY INFORMATION WHICH IS THE PROPERTY OF OMNETICS CONNECTOR CORP. THIS DOCUMENT MAY NOT, IN WHOLE OR IN PART, BE DUPLICATED, OR DISCLOSED FOR ANY PURPOSE, WITHOUT WRITTEN PERMISSION FROM OMNETICS CONNECTOR CORP.	
DFTM. DGJ	DATE 07-13-11
CHK'D.	DATE
APP'D.	DATE
TITLE: (85) SOCKET FEMALE Bi-Lobe® CONNECTOR	

OMNETICS
CONNECTOR CORPORATION
7260 COMMERCE CIRCLE EAST
MINNEAPOLIS, MN 55432
WWW.OMNETICS.COM

CAGE CODE 61873	
DWG NO. A29600-085	
SHEET 1 OF 2	REV A
SCALE: 3:1	