

MATERIALS & SPECIFICATIONS

PART NO.	A29600-025	REV	ECO	DATE	APP
		F	96567	03-15-10	TLM

HOUSING:
ALUMINUM 6061-T6, NICKEL
PLATE PER AMS-C-26074

INSULATOR:
LIQUID CRYSTAL POLYMER (LCP)
PER ASTM D5138

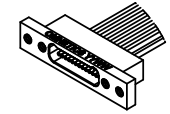
CONTACTS:
COPPER ALLOY PER MIL-DTL-
32139, GOLD PLATED PER ASTM
B488, (HARD GOLD) TYPE II
CODE C, CLASS 1.27

WIRE:
NEMA HP3 TYPE ET, COLOR
CODED IAW MIL-STD-681,
SYSTEM 1, USING TEN SOLID
REPEATING COLORS

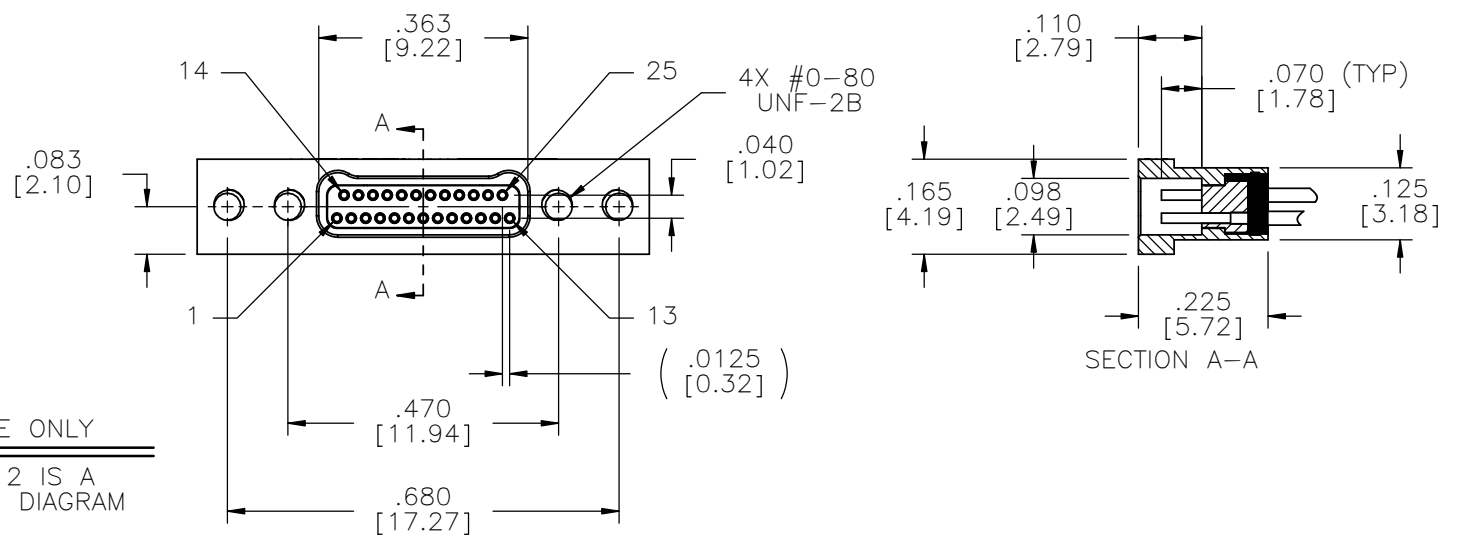
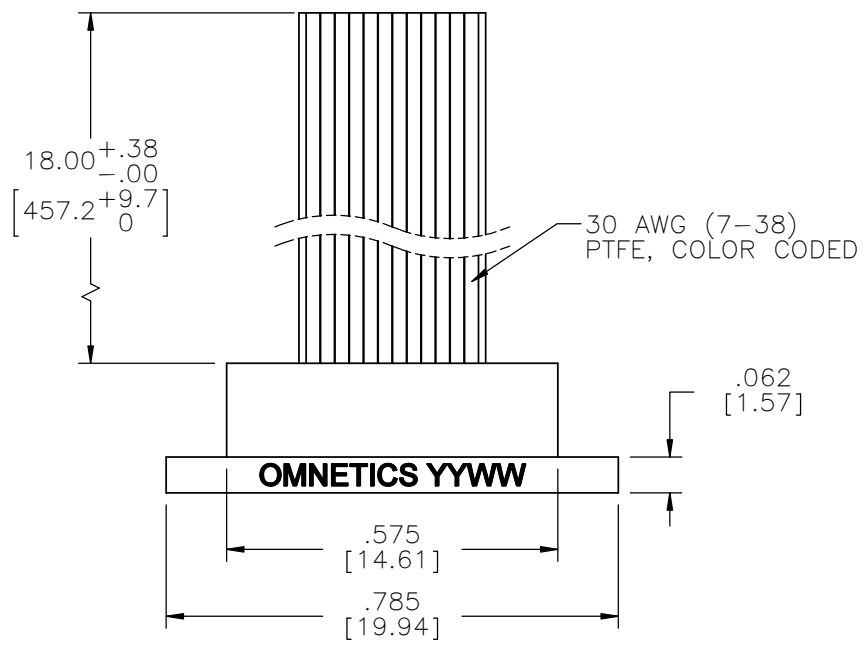
CURRENT RATING:
1 AMP MAX PER MIL-DTL-32139

CONTACT RESISTANCE:
71 MILLIOHM MAX (71mV DROP
MAX) @ 1.0 AMPS PER MIL-
DTL-32139

PERFORMANCE:
PRODUCT FAMILY TESTED TO AND
PASSED THE PERFORMANCE
SPECIFICATIONS OF TABLE VIII OF
MIL-DTL-32139



ACTUAL SIZE
EXCLUDING WIRE LENGTH



SOCKET #	COLOR
1, 11, 21	BLACK
2, 12, 22	BROWN
3, 13, 23	RED
4, 14, 24	ORANGE
5, 15, 25	YELLOW
6, 16	GREEN
7, 17	BLUE
8, 18	VIOLET
9, 19	GRAY
10, 20	WHITE

INTERNAL USE ONLY
SHEET 2 OF 2 IS A
MFG LOADING DIAGRAM

MINSOP SLOW	THIRD ANGLE
	-TOLERANCES-
	UNLESS OTHERWISE NOTED
	DIMENSIONS IN INCHES

THIS DRAWING CONTAINS CONFIDENTIAL AND PROPRIETARY INFORMATION WHICH IS THE PROPERTY OF OMNETICS CONNECTOR CORP. THIS DOCUMENT MAY NOT, IN WHOLE OR IN PART, BE DUPLICATED, OR DISCLOSED FOR ANY PURPOSE, WITHOUT WRITTEN PERMISSION FROM OMNETICS CONNECTOR CORP.	
DFTM. AAS	DATE 05-14-04
CHK'D.	DATE
APP'D.	DATE

TITLE:
(25) SOCKET FEMALE
Bi-Lobe® CONNECTOR

OMNETICS
CONNECTOR CORPORATION
7260 COMMERCE CIRCLE EAST
MINNEAPOLIS, MN 55432
WWW.OMNETICS.COM

CAGE CODE 61873	
DWG NO. A29600-025	
SHEET 1 OF 2	REV F
SCALE: 3:1	