

# MATERIALS & SPECIFICATIONS

PART NO.	A28500-131	REV	ECO	DATE	APP
		H	101474	04-08-15	TLM

**HOUSING:**  
ALUMINUM 6061-T6, NICKEL  
PLATE PER SAE-AMS-2404

**INSULATOR:**  
LIQUID CRYSTAL POLYMER (LCP) ( .0575 )  
PER ASTM D5138 [1.461]

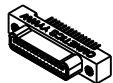
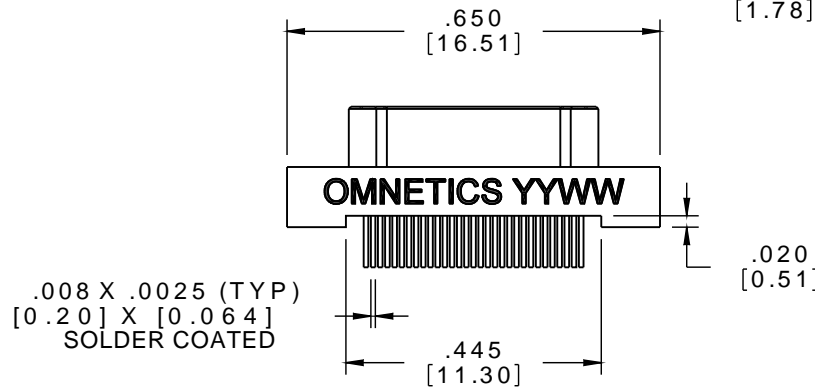
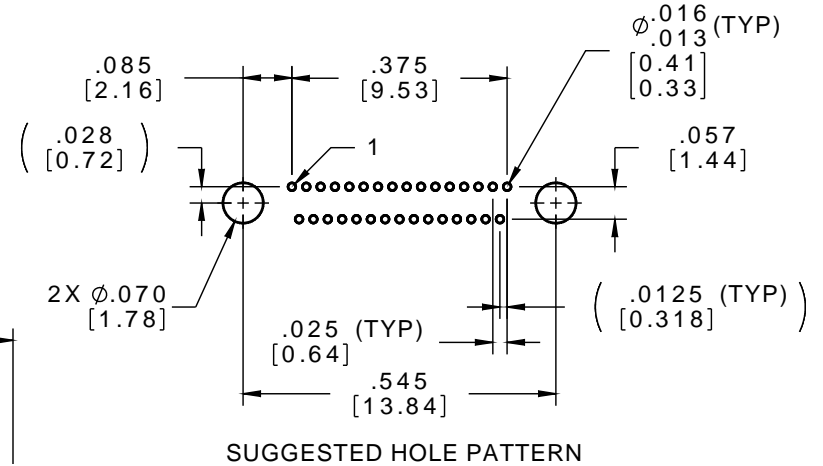
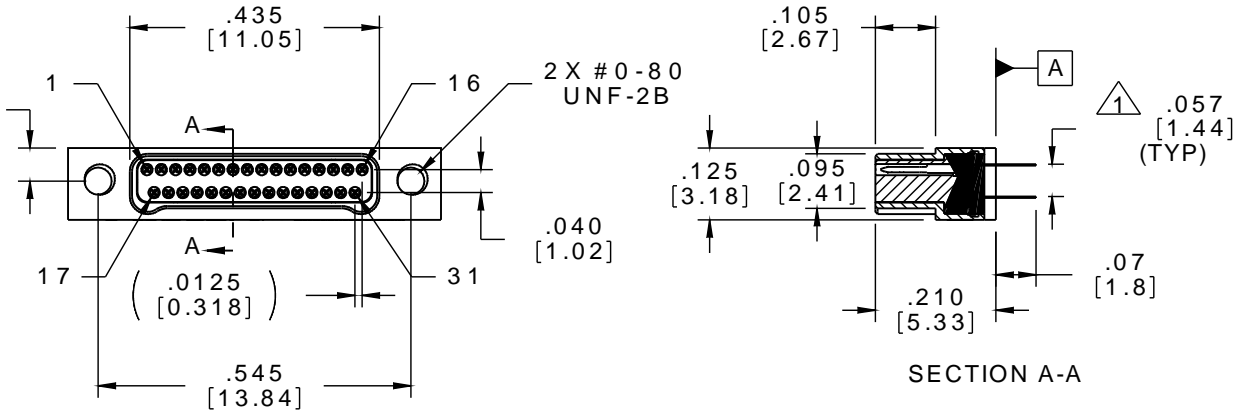
**CONTACT:**  
BERYLLIUM COPPER PER ASTM  
B194, C17200, GOLD PLATED  
PER ASTM B488, (HARD GOLD)  
TYPE II CODE C, CLASS 1.27

**TERMINATION:**  
SOLDER COATED WITH SN63A PER  
J-STD-006 OR AMS-P-81728

**CURRENT RATING:**  
1 AMP MAX PER MIL-DTL-32139

**CONTACT RESISTANCE:**  
71 MILLIOHM MAX (71mV DROP  
MAX) @ 1.0 AMPS PER MIL-  
DTL-32139

**PERFORMANCE:**  
PRODUCT FAMILY TESTED TO AND  
PASSED THE PERFORMANCE  
SPECIFICATIONS OF TABLE VIII OF  
MIL-DTL-32139



ACTUAL SIZE

MNP S/DW	THIRD ANGLE
	-TOLERANCES-
	UNLESS OTHERWISE NOTED
	DIMENSIONS IN INCHES
2	PL DEC ± .01
3	PL DEC ± .005
4	PL DEC ± .0005
	ANGLES ± 1°

THIS DRAWING CONTAINS CONFIDENTIAL AND PROPRIETARY INFORMATION WHICH IS THE PROPERTY OF OMNETICS CONNECTOR CORP. THIS DOCUMENT MAY NOT, IN WHOLE OR IN PART, BE DUPLICATED, OR DISCLOSED FOR ANY PURPOSE, WITHOUT WRITTEN PERMISSION FROM OMNETICS CONNECTOR CORP.	
DFTM. AAS	DATE 05-05-04
CHK'D.	DATE
APP'D.	DATE
TITLE: (31) PIN MALE Bi-Lobe® CONNECTOR	

**OMNETICS**  
CONNECTOR CORPORATION  
7260 COMMERCE CIRCLE EAST  
MINNEAPOLIS, MN 55432  
WWW.OMNETICS.COM

CAGE CODE 61873	
DWG NO. A28500-131	
SHEET 1 OF 1	REV H
SCALE: 3:1	