

MATERIALS & SPECIFICATIONS

| | | | | | |
|----------|------------|-----|--------|----------|-----|
| PART NO. | A28500-115 | REV | ECO | DATE | APP |
| | | H | 101474 | 04-08-15 | TLM |

HOUSING:

ALUMINUM 6061-T6, NICKEL PLATE PER SAE-AMS-2404

INSULATOR:

LIQUID CRYSTAL POLYMER (LCP) (.0575)
PER ASTM D5138 [1.461]

CONTACT:

BERYLLIUM COPPER PER ASTM B194, C17200, GOLD PLATED PER ASTM B488, (HARD GOLD) TYPE II CODE C, CLASS 1.27

TERMINATION:

SOLDER COATED WITH SN63A PER J-STD-006 OR AMS-P-81728

CURRENT RATING:

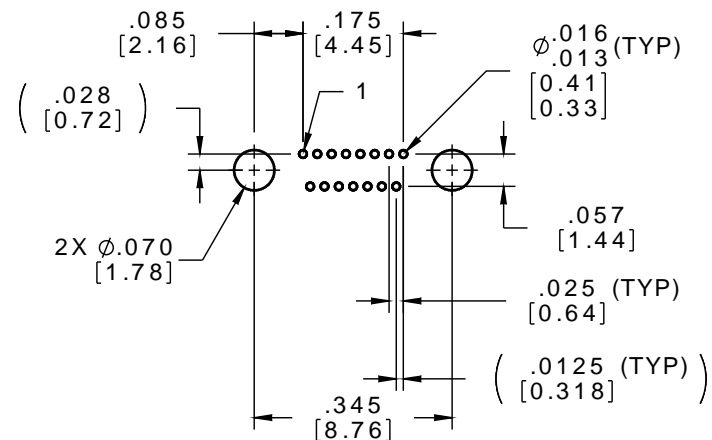
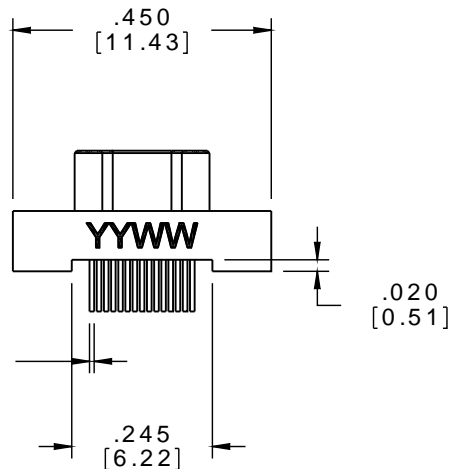
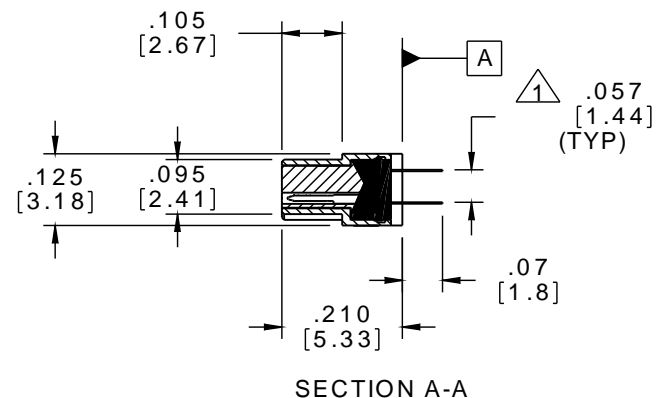
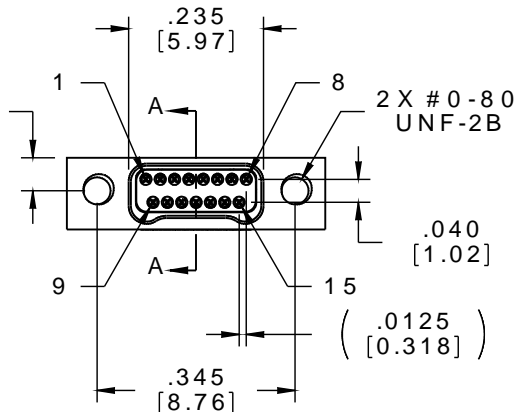
1 AMP MAX PER MIL-DTL-32139

CONTACT RESISTANCE:

71 MILLIOHM MAX (71mV DROP MAX) @ 1.0 AMPS PER MIL-DTL-32139

PERFORMANCE:

PRODUCT FAMILY TESTED TO AND PASSED THE PERFORMANCE SPECIFICATIONS OF TABLE VIII OF MIL-DTL-32139



ACTUAL SIZE

.008 X .0025 (TYP)
[0.20] X [0.064]
SOLDER COATED

| | |
|-------------------|------------------------|
| MNP PO SLDW | THIRD ANGLE |
| | -TOLERANCES- |
| | UNLESS OTHERWISE NOTED |
| | DIMENSIONS IN INCHES |
| | 2 PL DEC ± .01 |
| | 3 PL DEC ± .005 |
| | 4 PL DEC ± .0005 |
| | ANGLES ± 1° |

| | |
|---|---------------|
| THIS DRAWING CONTAINS CONFIDENTIAL AND PROPRIETARY INFORMATION WHICH IS THE PROPERTY OF OMNETICS CONNECTOR CORPORATION. THIS DOCUMENT MAY NOT, IN WHOLE OR IN PART, BE DUPLICATED, OR DISCLOSED FOR ANY PURPOSE, WITHOUT WRITTEN PERMISSION FROM OMNETICS CONNECTOR CORP. | |
| DFTM. AAS | DATE 05-05-04 |
| CHK'D. | DATE |
| APP'D. | DATE |
| TITLE: (15) PIN MALE Bi-Lobe® CONNECTOR | |

OMNETICS
CONNECTOR CORPORATION
7260 COMMERCE CIRCLE EAST
MINNEAPOLIS, MN 55432
WWW.OMNETICS.COM

| | |
|--------------------|-------|
| CAGE CODE 61873 | |
| DWG NO. A28500-115 | |
| SHEET 1 OF 1 | REV H |
| SCALE: 3:1 | |