

MATERIALS & SPECIFICATIONS

PART NO.	A 28300-085	REV	ECO	DATE	APP
		A	97177	11-23-10	TLM

HOUSING:
ALUMINUM 6061-T6,
NICKEL PLATE PER AMS-
C-26074

INSULATOR:
LIQUID CRYSTAL POLYMER
(LCP) PER ASTM D5138

CONTACT:
BERYLLIUM COPPER PER
ASTM B194, C17200,
GOLD PLATED PER ASTM
B488, (HARD GOLD)
TYPE II CODE C, CLASS
1.27

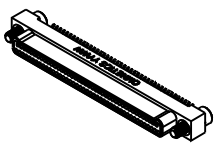
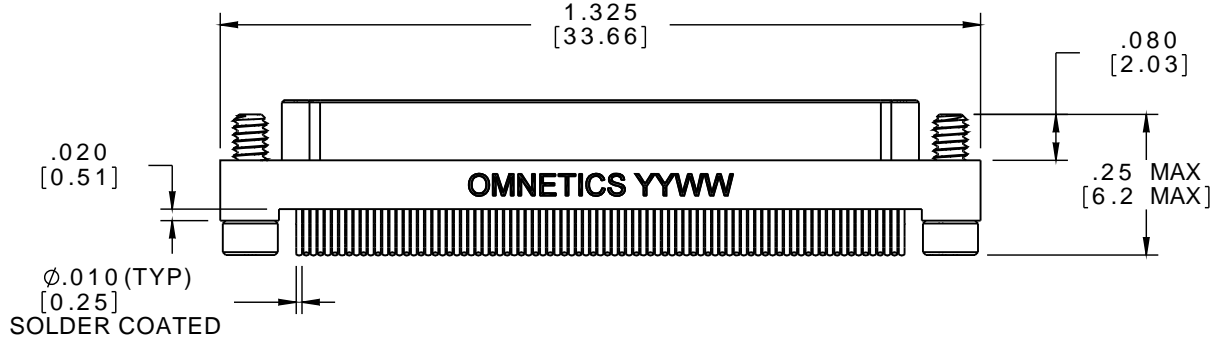
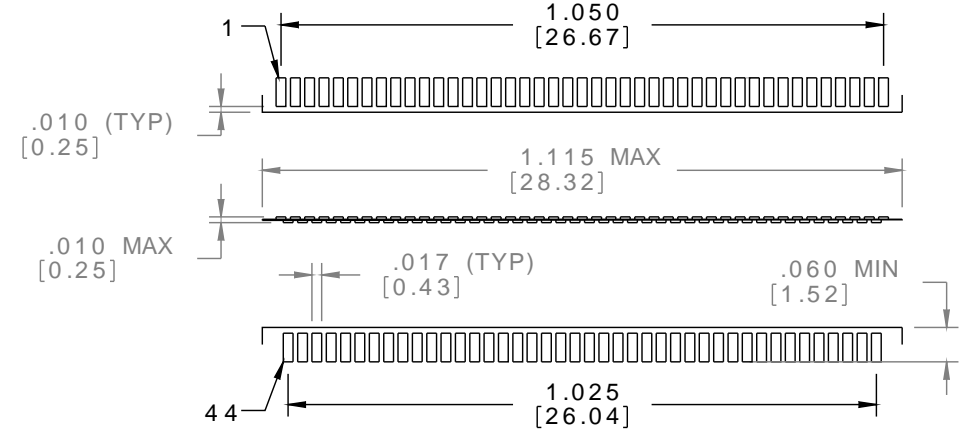
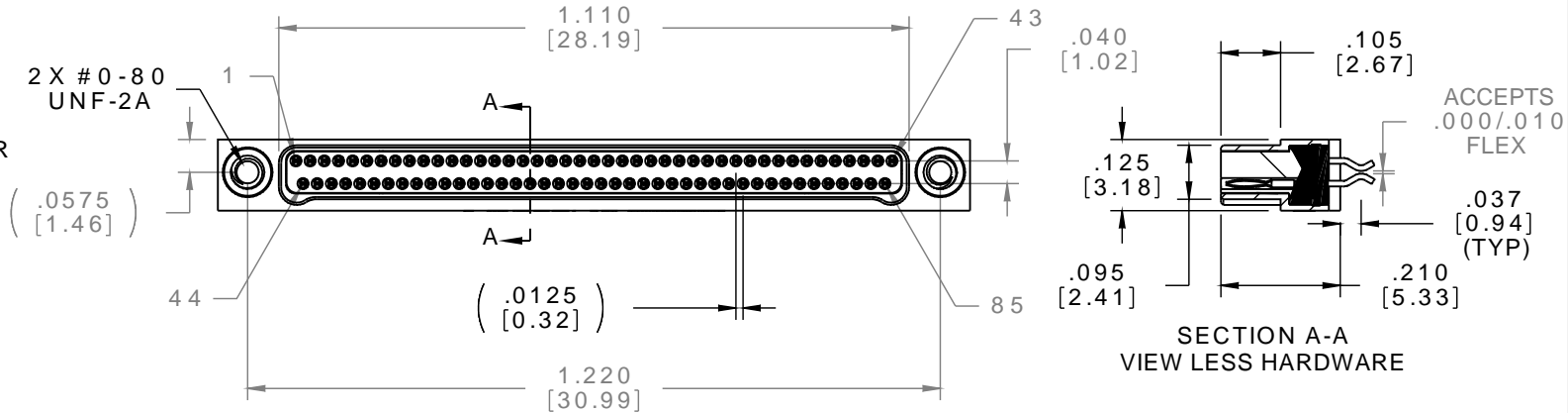
TERMINATION:
SOLDER COATED WITH
SN63A PER
J-STD-006 OR AMS-P-
81728

HARDWARE:
303 STAINLESS STEEL
PER
ASTM 582

CURRENT RATING:
1 AMP MAX PER MIL-
DTL-32139

CONTACT RESISTANCE:
71 MILLIOHM MAX (71mV
DROP MAX) @ 1.0 AMPS
PER MIL-DTL-32139

PERFORMANCE:
PRODUCT FAMILY TESTED
TO AND PASSED THE
PERFORMANCE
SPECIFICATIONS OF
TABLE VIII OF MIL-DTL-
32139



ACTUAL SIZE

MNP O SLDW	THIRD ANGLE
	-TOLERANCES-
	UNLESS OTHERWISE NOTED
	DIMENSIONS IN INCHES
	2 PL DEC ± .01
3 PL DEC ± .005	
4 PL DEC ± .0005	
ANGLES ± 1°	

THIS DRAWING CONTAINS CONFIDENTIAL AND PROPRIETARY INFORMATION WHICH IS THE PROPERTY OF OMNETICS CONNECTOR CORP. THIS DOCUMENT MAY NOT, IN WHOLE OR IN PART, BE DUPLICATED, OR DISCLOSED FOR ANY PURPOSE, WITHOUT WRITTEN PERMISSION FROM OMNETICS CONNECTOR CORP.		
DFTM. MJM	DATE 11-18-10	TITLE: (85) PIN MALE
CHK'D.	DATE	Bi-Lobe® CONNECTOR
APP'D.	DATE	

OMNETICS
CONNECTOR CORPORATION
7260 COMMERCE CIRCLE EAST
MINNEAPOLIS, MN 55432
WWW.OMNETICS.COM

CAGE CODE 61873
DWG NO. A28300-085
SHEET 1 OF 1
SCALE: 3:1
REV A